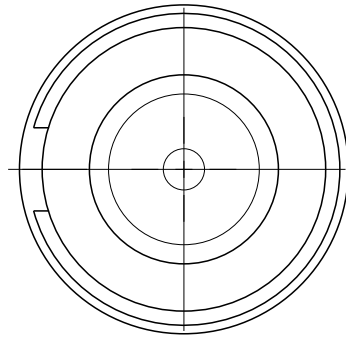
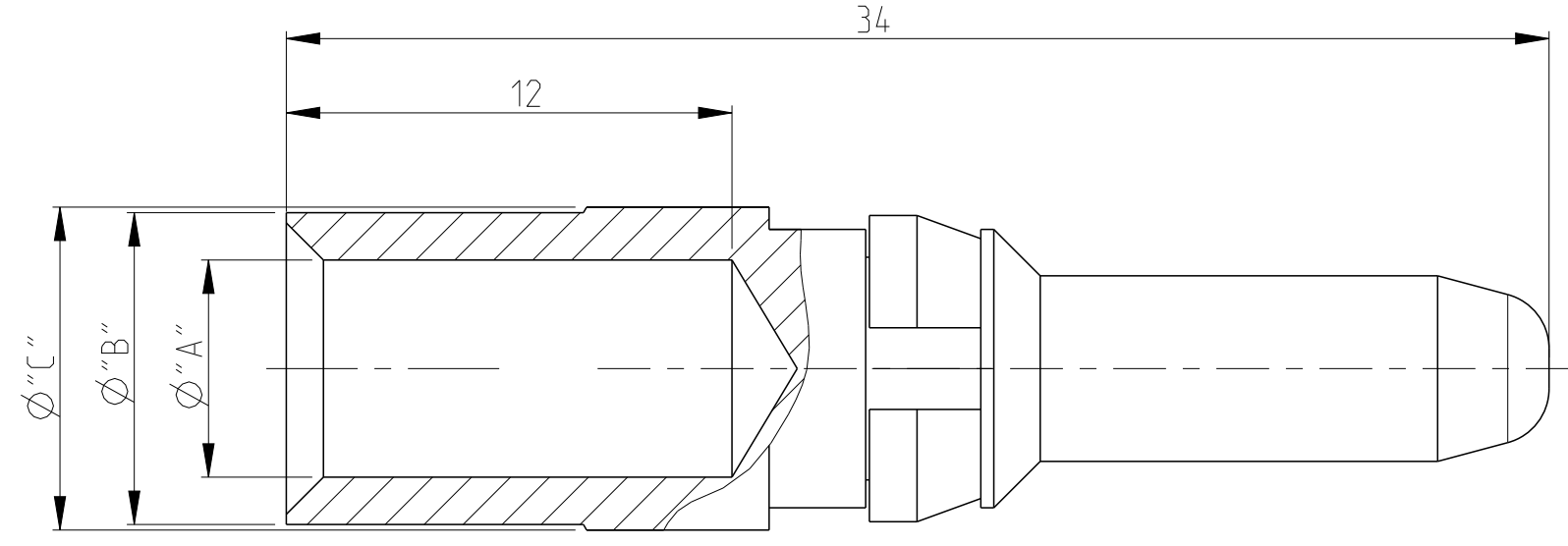


THIS DRAWING IS UNPUBLISHED. RELEASED FOR PUBLICATION  
 © COPYRIGHT - ALL RIGHTS RESERVED.

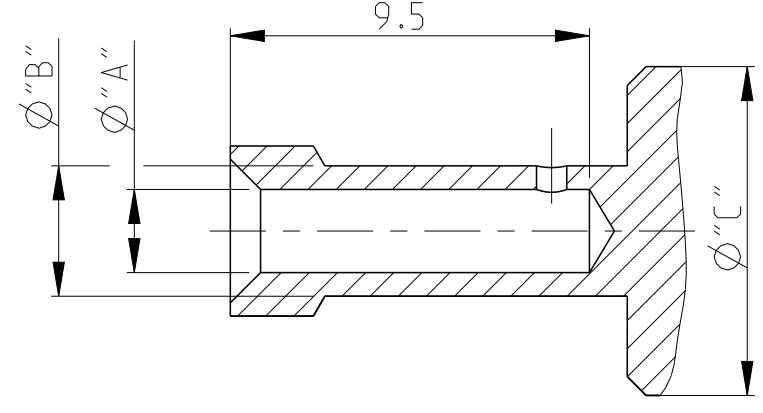
LOC		DIST		REVISIONS			
P	LTR	DESCRIPTION		DATE	DWN	APVD	
B1	-	D3	REVISED PER ECO-11-005150		31MAR2011	RK	HMR
		D4	ECR-14-007793		26AUG2014	RK	MKO
		D5	REVISED PER ECR-16-016780		19AUG2017	NG	MKO



WIRE CROSS-SECTION:  
 $\varnothing 6\text{mm}^2 - 16\text{mm}^2$



WIRE CROSS-SECTION:  
 $\varnothing 2.5\text{mm}^2 / 4\text{mm}^2$



Notes

- 1 MATERIAL: BRASS
- 2 FINISH SILVER PLATING: 2  $\mu\text{m}$  Ag MIN. OVER Cu
- 3 FINISH GOLD PLATING: 0.75  $\mu\text{m}$  Au MIN. OVER Ni
- 4 WEIGHT (MAX.): 7.60 g, VOLUME (MAX.): 932mm<sup>3</sup> (APPROX.)
- 5 SUITABLE SOCKET CONTACT: CUSTOMER DRAWING 1105151
- 6 SUITABLE INSERTS: SERIES HSS, CUSTOMER DRAWING
- 7 SUITABLE CRIMP TOOL: PN 1-1105850-8
- 8 SUITABLE INSERTION TOOL: -
- 9 SUITABLE EXTRACTION TOOL: PN 0-1102855-5
- 10 FINE WIRE DIA. MAX.  $\varnothing 4.5$
- 11 PACKAGING:  
25 PIECES IN A POLY-BAG  
1 POLY-BAG IN A CARTON
- 12 PACKAGING:  
1 PIECES LOOSE
- 13 STANDARDS: DIN EN 61984, DIN EN 60664-1

OBSOLETE										
	HSS-C-Sti.Au.16.0 mm <sup>2</sup>	GOLD	16.0	5.85	8.4	8.7	12	<sup>11</sup> 5-2	<sup>12</sup> 9-3	
	HSS-C-Sti.Au.10.0 mm <sup>2</sup>		10.0	4.35	5.9	8.7	12	4-2	9-2	
	HSS-C-Sti.Au.6.0 mm <sup>2</sup>		6.0	3.5	4.9	8.7	12	3-2	9-1	
	HSS-C-Sti.Ag.25.0 mm <sup>2</sup>	SILVER	25.0	7	9.45	9.6	12	6-1	8-7	
	HSS-C-Sti.Ag.16.0 mm <sup>2</sup>		16.0	5.85	8.4	8.7	12	5-1	8-6	
	HSS-C-Sti.Ag.10.0 mm <sup>2</sup> -fine		10.0	4.6	5.9	8.7	12	4-3	8-5	
	HSS-C-Sti.Ag.10.0 mm <sup>2</sup>		10.0	4.35	5.9	8.7	12	4-1	8-4	
	HSS-C-Sti.Ag.6.0 mm <sup>2</sup>		6.0	3.5	4.9	8.7	12	3-1	8-3	
	HSS-C-Sti.Ag.4.0 mm <sup>2</sup>		4.0	2.8	3.9	8.7	12	2-1	8-2	
	HSS-C-Sti.Ag.2.5 mm <sup>2</sup>		2.5	2.2	3.45	8.7	12	1-1	8-1	
			[MM <sup>2</sup> ]	"A"	"B"	"C"	[MM]	PN	PN	
	ORDERING TEXT	PLATING	CROSS SECTION	DIMENSIONS			STRIPPING-LENGTH	WITH CLIP		

PARTS LIST

THIS DRAWING IS A CONTROLLED DOCUMENT. DWN: 08APRIL2008 K.SCHROEDER  
 CHK: H.BRAUN  
 APVD: T.SCHNURPFEIL

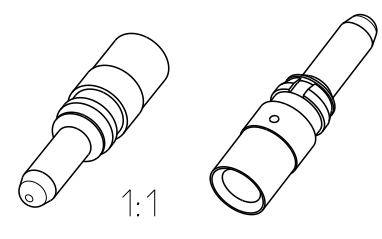
**STE** TE Connectivity

NAME: PIN CONTACT SERIES HSS

PRODUCT SPEC: 108-74016  
 APPLICATION SPEC: 114-74028

SIZE: A2 CAGE CODE: 00779 DRAWING NO: 1105150 RESTRICTED TO: -  
 WEIGHT: - SCALE: 5:1 SHEET 1 OF 1 REV: 05

Customer Drawing



单击下面可查看定价，库存，交付和生命周期等信息

[>>TE Connectivity\(泰科\)](#)