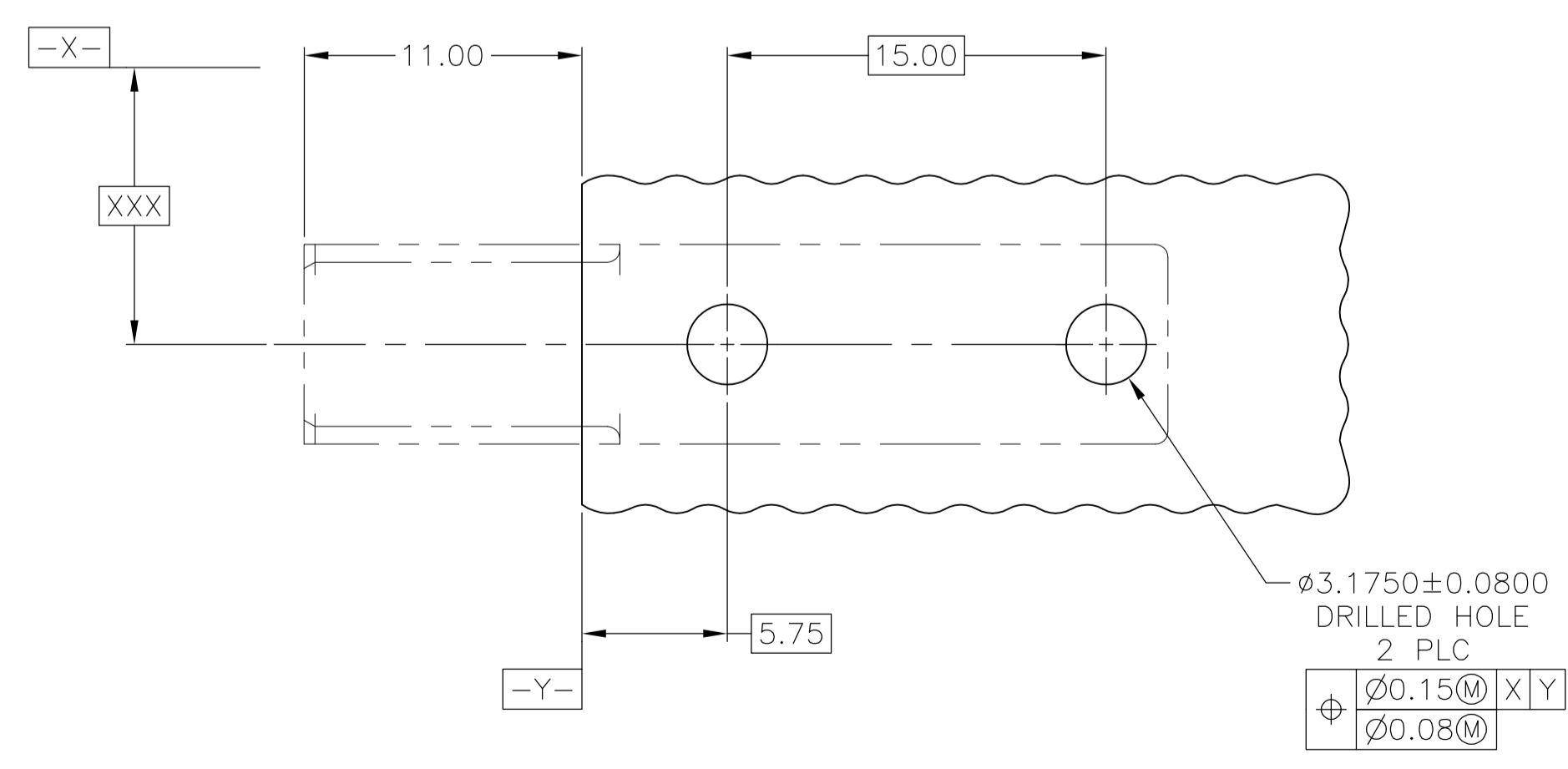
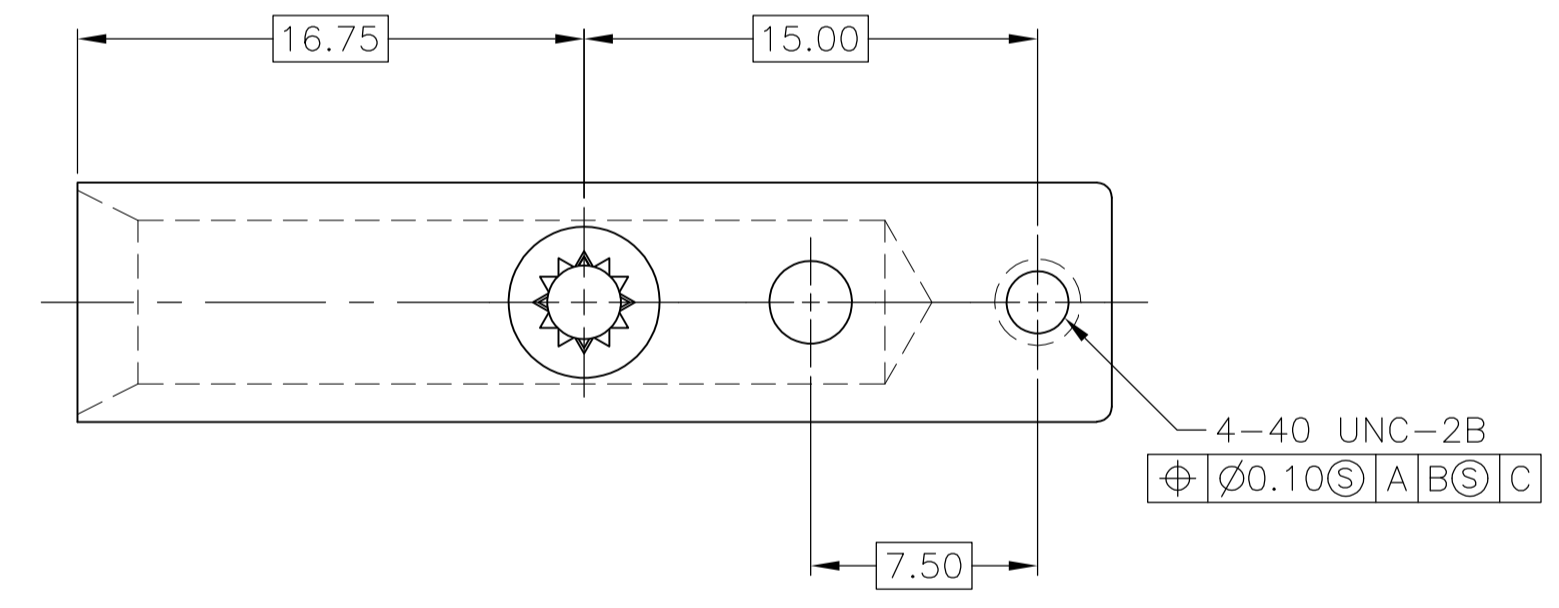
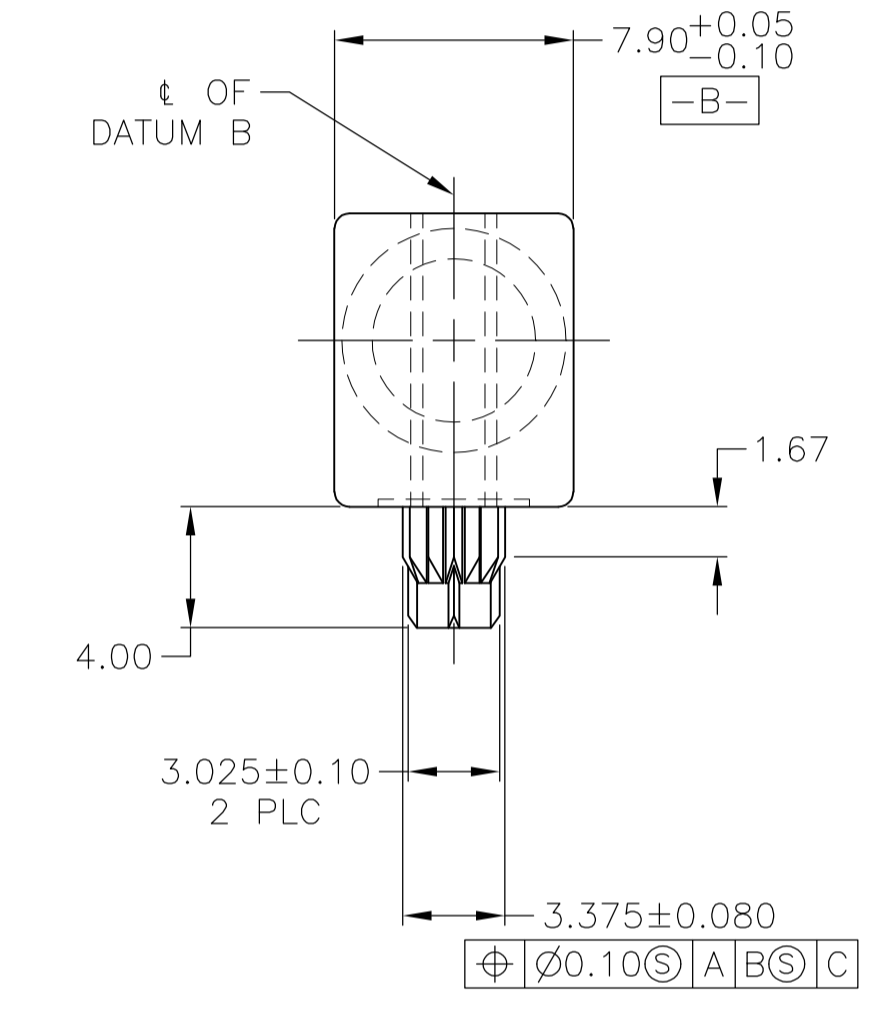
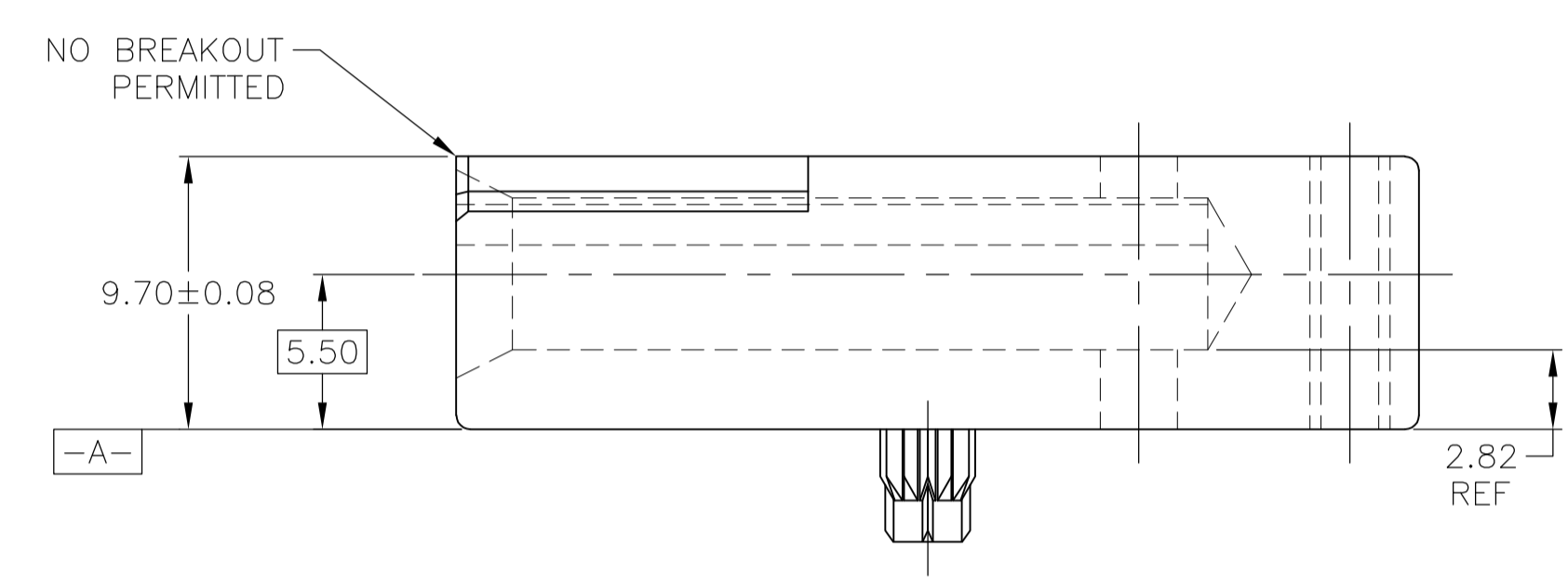
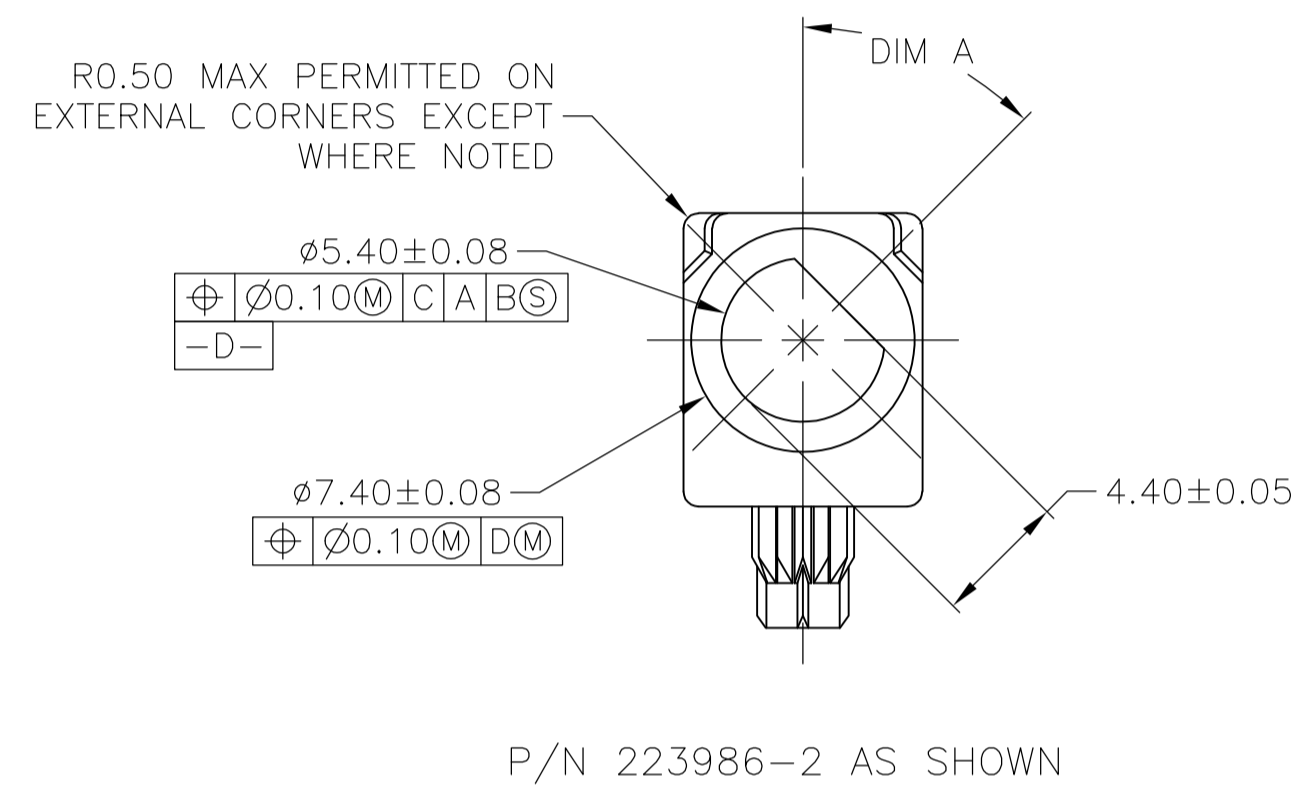


1 MATERIAL: ZINC ALLOY DIE CASTING.
 2 SURFACE FINISH: CHROMATE CONVERSION COATING. (ROHS COMPATIBLE).



FOOT PRINT

KEYING POSN	DIM A	PART NUMBER
8	315'	5223986-8
7	270'	5223986-7
6	225'	5223986-6
5	180'	5223986-5
4	135'	5223986-4
3	90'	5223986-3
2	45'	5223986-2
1	0'	5223986-1

THIS DRAWING IS A CONTROLLED DOCUMENT.		DIN J. POLIGNONE DSAPROS		TE Connectivity MODULE, FEMALE, UNIVERSAL POWER MODULE	
DIMENSIONS: mm		TOLERANCES UNLESS OTHERWISE SPECIFIED:			
0 PLC ± - 1 PLC ± - 2 PLC ± 0.13 3 PLC ± - 4 PLC ± - ANGLES ± -		R. PATTERSON DSAPROS R. PATTERSON DSAPROS PRODUCT SPEC APPLICATION SPEC		NAME SIZE CAGE CODE DRAWING NO RESTRICTED TO	
MATERIAL		FINISH		WEIGHT A1 00779 C=5223986 CUSTOMER DRAWING	
1		2		SCALE 4:1 SHEET 1 OF 1 REV P	

单击下面可查看定价，库存，交付和生命周期等信息

[>>TE Connectivity\(泰科\)](#)