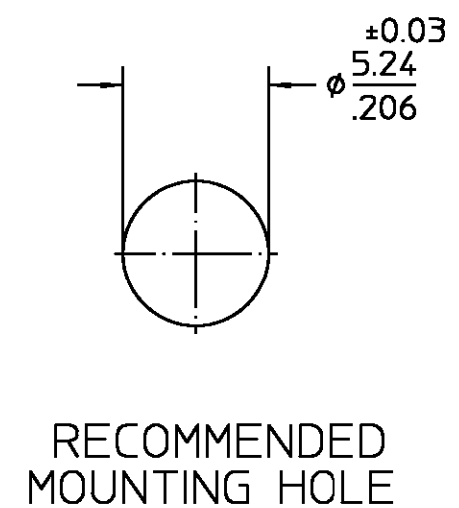
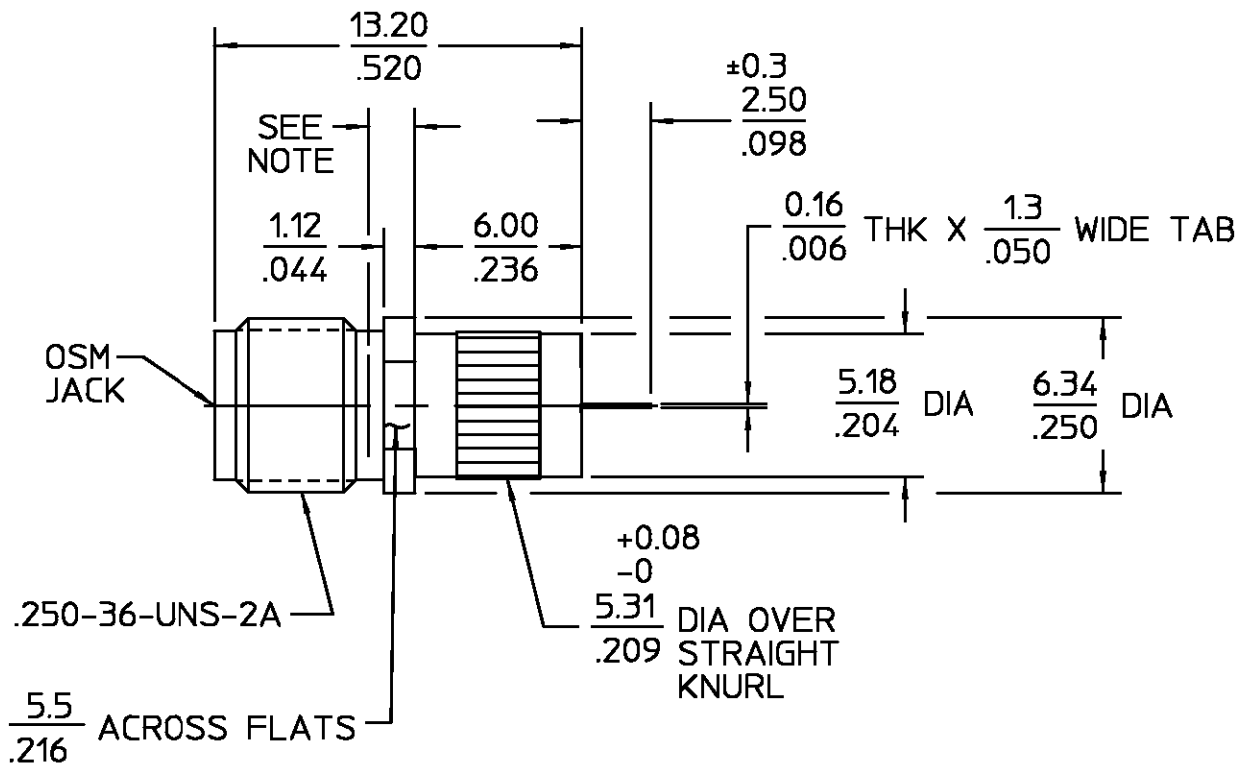


REVISIONS			
REV	DESCRIPTION	DATE	APPROVED
02 ₂	REVISED	1/28/97	ICom 1/28/97



RECOMMENDED MOUNTING HOLE

ELECTRICAL	MECHANICAL	ENVIRONMENTAL
Nominal Impedance (Ohms) <u>50</u>	Interface Dimensions MIL-STD-348A, Fig. <u>310.2</u>	Temperature Rating <u>-65 C° TO +125 C°</u>
Frequency Range (GHz) <u>DC to 18 GHz</u>	Recommended Mating Torque <u>3-5 in/lbs(0.34Nm-0.57Nm)</u>	Vibration MIL-STD-202, Method 204, Condition D
Volt Rating (VRMS MAX) @ Sea Level <u>335</u>	Mating Characteristics: Insertion (MAX Lbs) <u>3.0 (1.36Kg)</u>	Shock MIL-STD-202, Method 213, Condition I
VSWR <u>1.05 + .005 fGHz</u>	Withdrawal (MIN Oz) <u>1.0 (28.35g)</u>	Thermal Shock MIL-STD-202, Method 107, Condition B
Insertion Loss (dB MAX) <u>.03 √f(GHz)</u>	Force to Engage and Disengage (In-Lbs MAX) <u>2(0.23Nm)</u>	Moisture Resistance MIL-STD-202, Method 106, Except Vibration
RF Leakage (dB MIN) <u>-[90-f(GHz)]</u>	Center Contact Captivation Axial (Lbs) <u>6.0 (2.7Kg) MIN</u>	Shall Be Omitted
Corona, 70,000 Ft (VRMS MIN) <u>250</u>	FROM INTERFACE	Corrosion - MIL-STD-202, Method 101, Condition B, 5% salt spray
Dielectric Withstanding Voltage (VRMS MIN) @ Sea Level <u>1000</u>	Radial (In-Oz) <u>4.0 (0.028Nm)</u>	
Contact Resistance (Milliohms MAX) Center Contact <u>3.0</u>	FROM FLANGE	
Outer Contact <u>2.0</u>	Weight (Grams) <u>TBD</u>	
Cable to Housing <u>N/A</u>		
RF High Potential @ Sea Level (VRMS MIN @ 5 MHz) <u>670</u>		
I.R.(Megohms MIN) <u>10,000</u>		

COMPONENT	MATERIAL	FINISH
HOUSING DIELECTRIC CENTER CONTACT	BRASS TFE FLUOROCARBON PER ASTM-D-1457 BERYLLIUM COPPER PER ASTM B 196, ALLOY C17300, CONDITION H	WHITE BRONZE N/A GOLD PLATE PER MIL-G-45204
<p>UNLESS OTHERWISE SPECIFIED DIMENSIONS ARE IN MILLIMETERS</p> <p>TOLERANCE ON DEC ANGLES ±0.13 ± °</p> <p>DRAWN BY <i>ICom</i> DATE 12/11/95</p> <p>CHECKED BY</p> <p>APPD BY <i>ICom</i> 12/11/95</p> <p>These drawings and specifications are the property of M/A-COM Interconnect Division and shall not be reproduced or copied or used in whole or in part as the basis for the manufacture or sale of item(s) without written permission.</p> <p>USE ASS'Y PROCEDURE</p> <p>NO. AP. <u>N/A</u></p>		
<p>AMP Incorporated 140 Fourth Avenue Waltham, MA 02451-7599</p> <p>TITLE OSM PANEL MOUNT JACK RECEPTACLE STRAIGHT TERMINAL</p> <p>SIZE <u>B</u> CODE IDENT NO. <u>26805</u> 2058-5573-36 REV <u>02₂</u></p> <p>SCALE <u>4:1</u> SHEET 1 OF 1</p>		

CUSTOMER DRAWING AMP PART # 1311167-1 SHEET 1 OF 1 REV A

单击下面可查看定价，库存，交付和生命周期等信息

[>>TE Connectivity\(泰科\)](#)