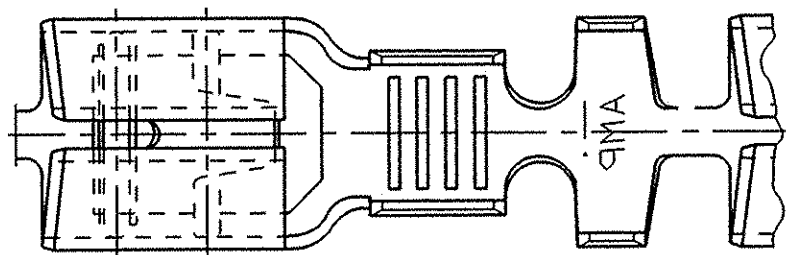
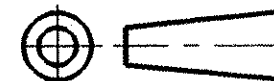


DO NOT SCALE

DIMENSIONS IN mm

METRIC

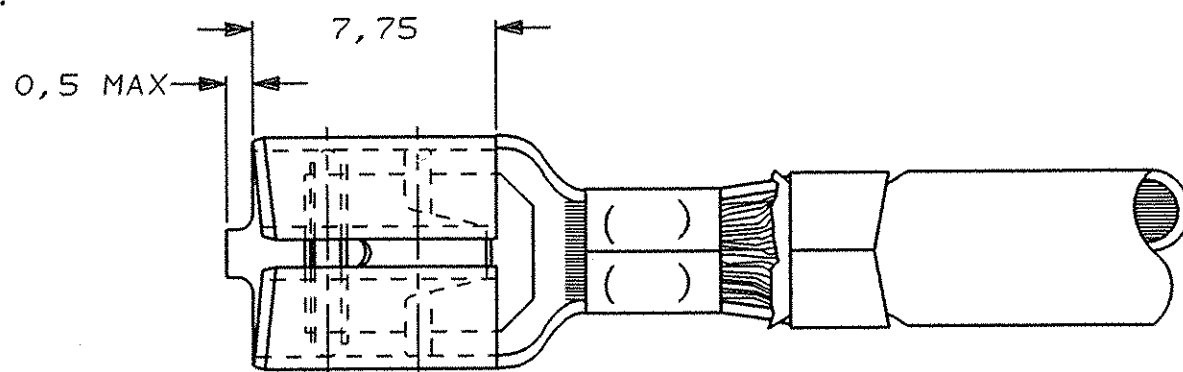
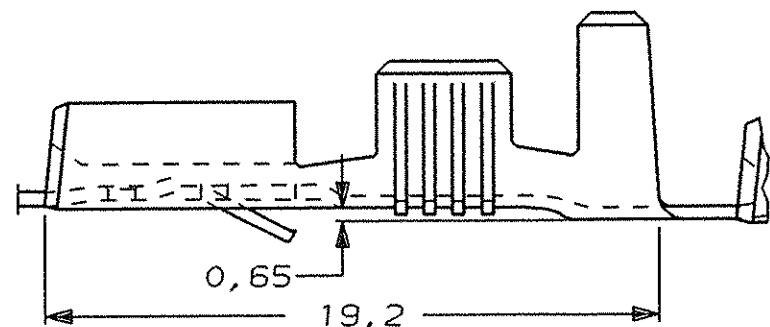
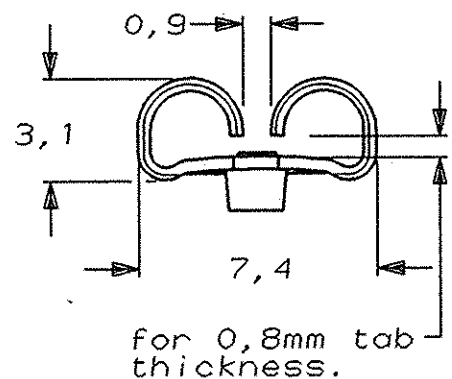
THIRD ANGLE
PROJECTION



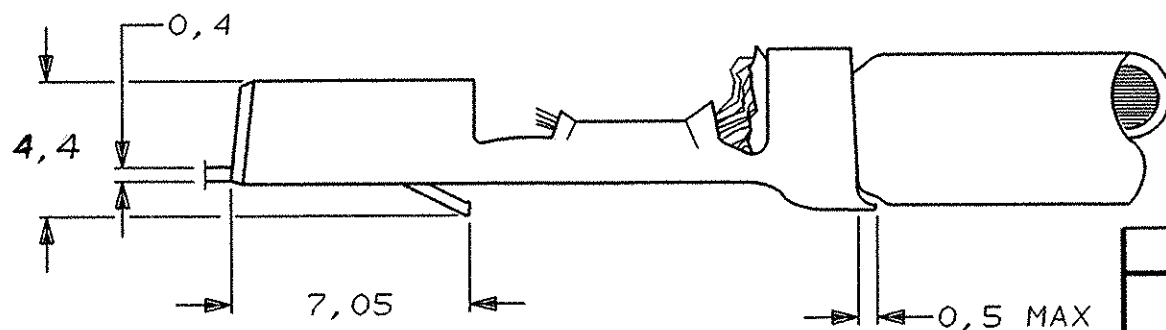
NOTES

- 1. FOR USE ON MINIATURE APPLICATORS (LEFT-RIGHT FEED) AND STANDARD APPLICATORS (RIGHT-LEFT FEED).
- 2. REELED WITH PAPER COVER.

ORIGINAL DOCUMENT
 UNDER REVISION
 BY *P. Heyden*
 DATE *16.05.96*



GENERAL TOLERANCE $\pm 0,3$ mm.



NOTES	FINISH	MATERIAL	PARTNUMBER
Δ	PRE-TINPLATED	PH. BRONZE	6-160914-8
Δ	PRE-TINPLATED	BRASS	6-160914-7
Δ 1	TINPLATED	PH. BRONZE	160914-4
Δ 1	UNPLATED	PH. BRONZE	160914-3
Δ 1	TINPLATED	BRASS	160914-2
Δ 1	UNPLATED	BRASS	160914-1

CUSTOMER DRAWING

AMP

TYCO ELECTRONICS AMP
BARCELONA, SPAIN

FOR REFERENCE ONLY
WILL NOT BE UPDATED

~~THIS DRAWING IS UNPUBLISHED~~ RELEASED FOR PUBLICATION JULY, 1987

© COPYRIGHT 1987 BY AMP-HOLLAND B.V.
ALL INTERNATIONAL RIGHTS RESERVED.
AMP PRODUCTS MAY BE COVERED BY U.S. AND FOREIGN PATENTS AND/OR PATENTS PENDING.

DR. L.V.D. HEYDEN	DATE 02.07.87	WIRE RANGE 4,0-6,0 mm ²	NAME .250 SRS FASTIN-ON RECEPTACLE.	REV. DATE D M Y 17 01 03
CHK. A.B.	DATE 10.08.87	INSUL. RANGE 4,0-5,2mmDIA		
APP. L.v. Soest	DATE 25.08.87	SIZE A3	SHEET 1 OF 1	DWG. No. C-160914
				REV. LTR. D1

单击下面可查看定价，库存，交付和生命周期等信息

[>>TE Connectivity\(泰科\)](#)