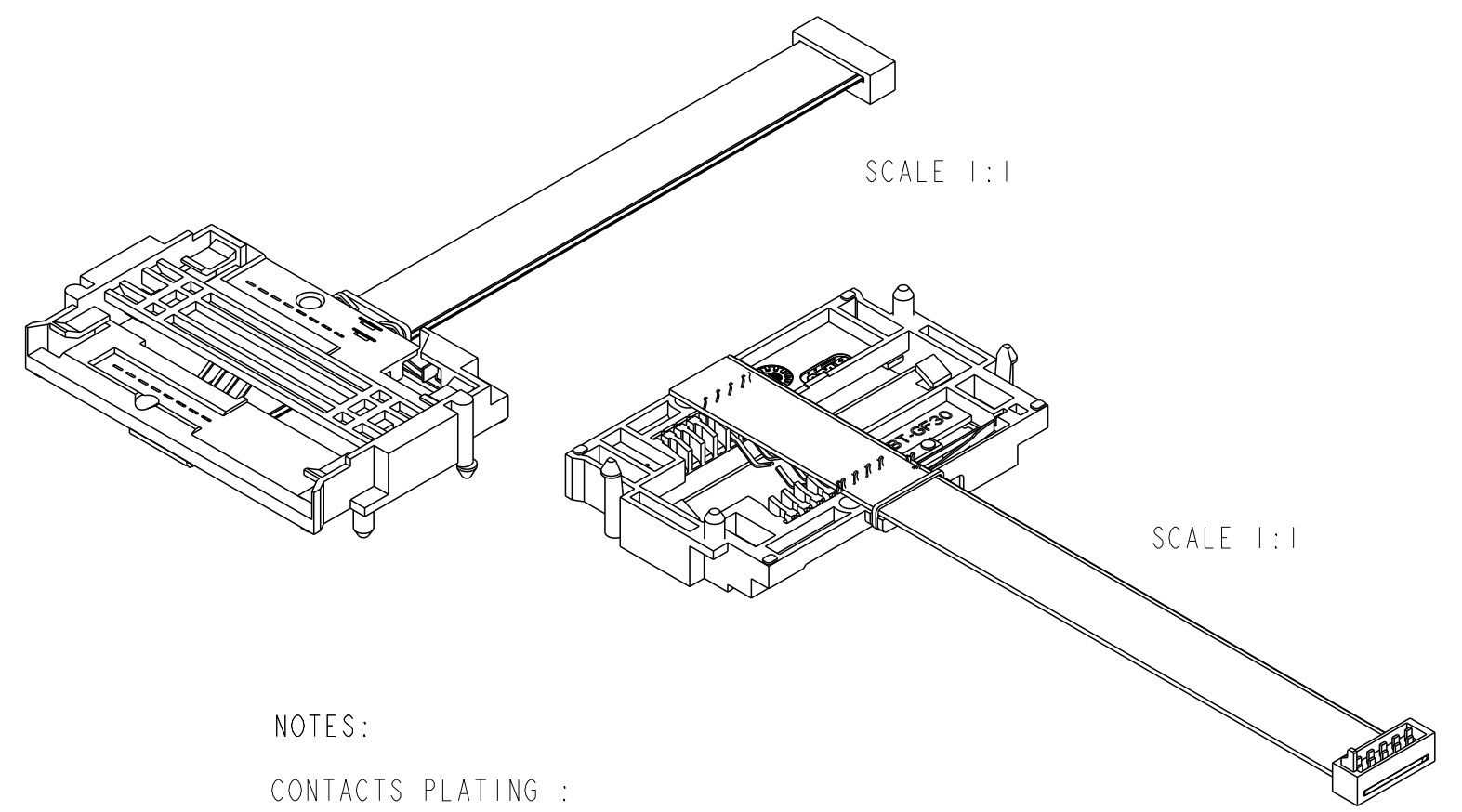
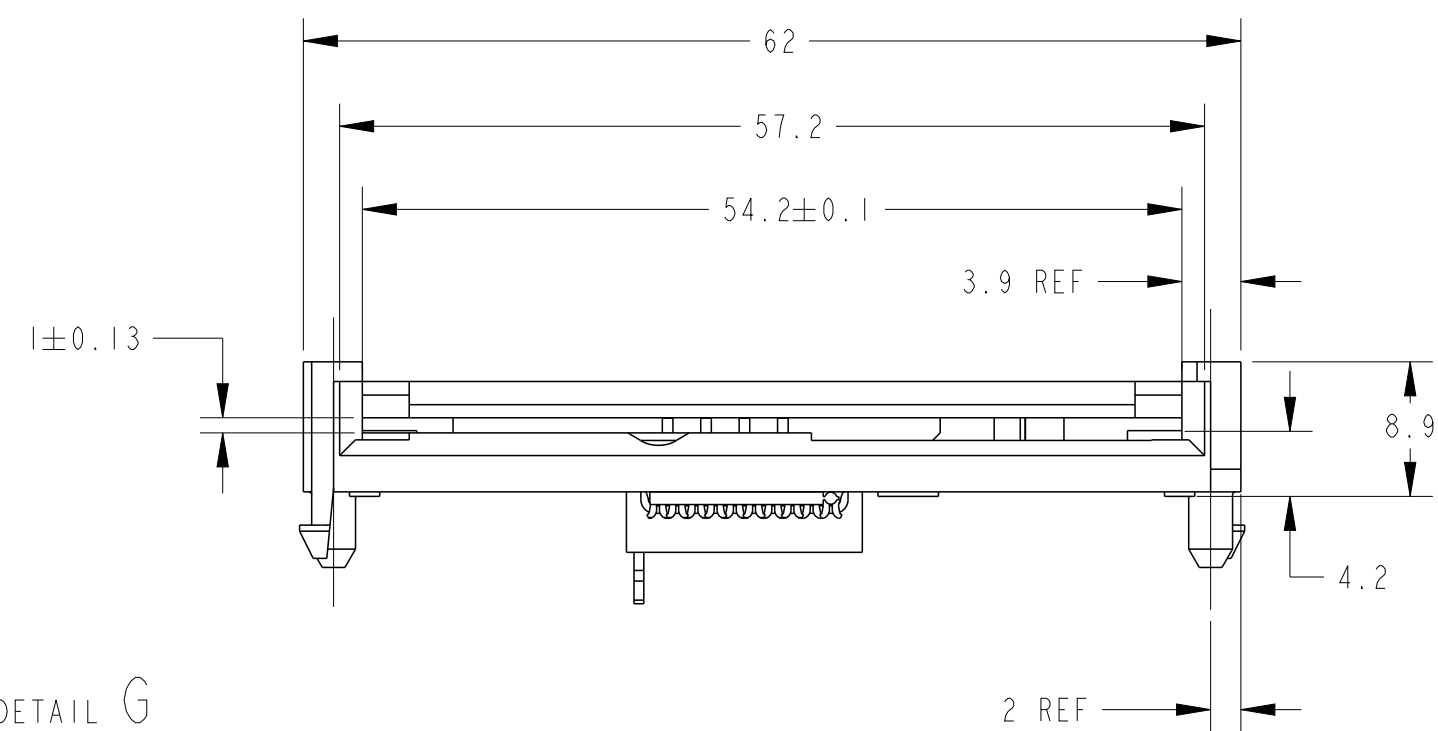
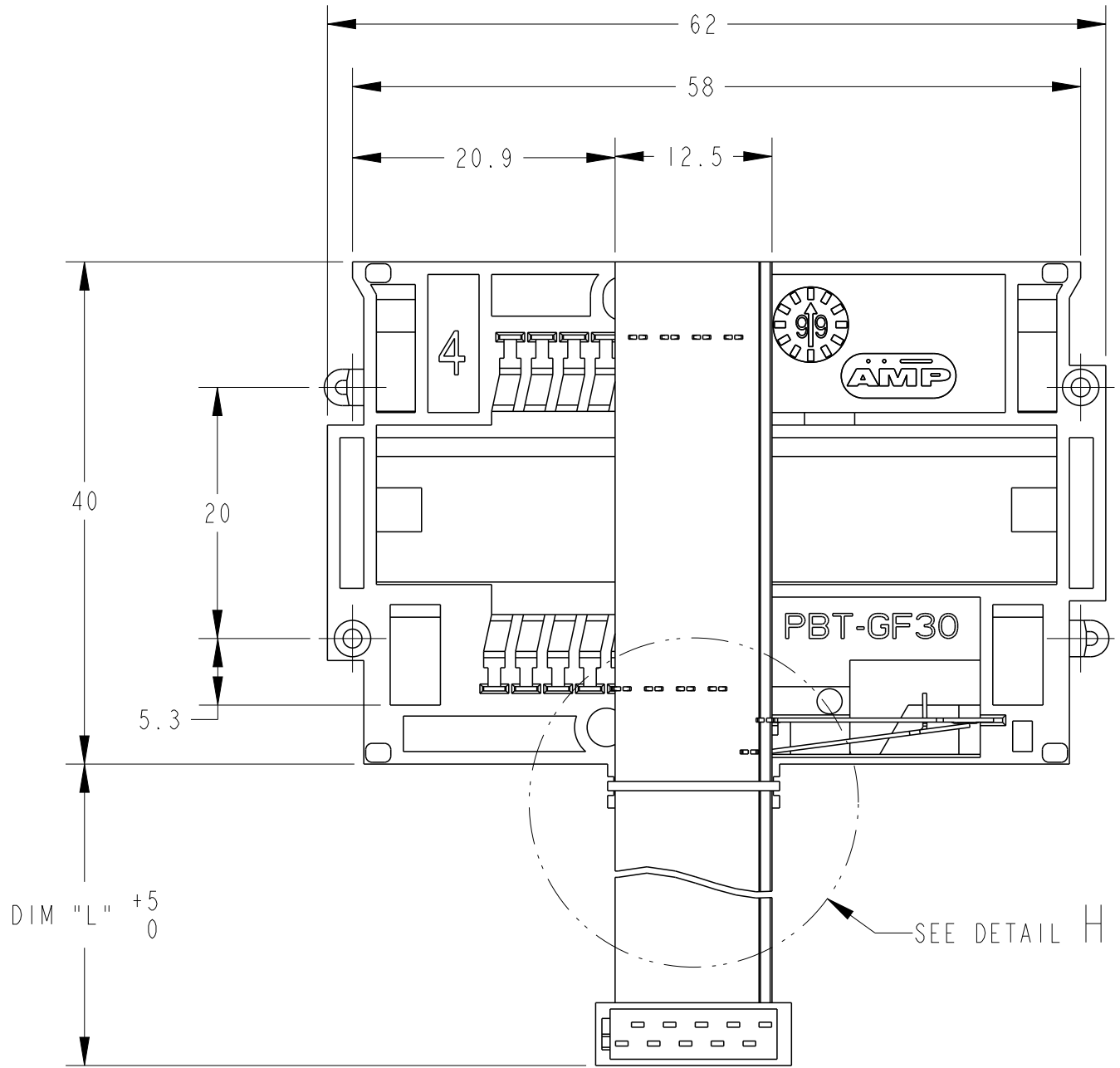
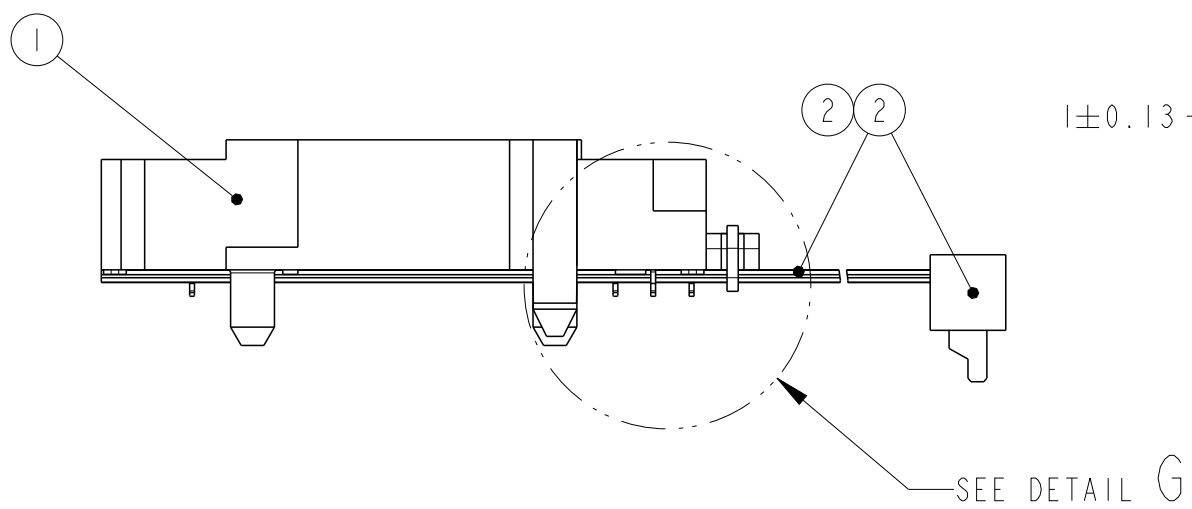
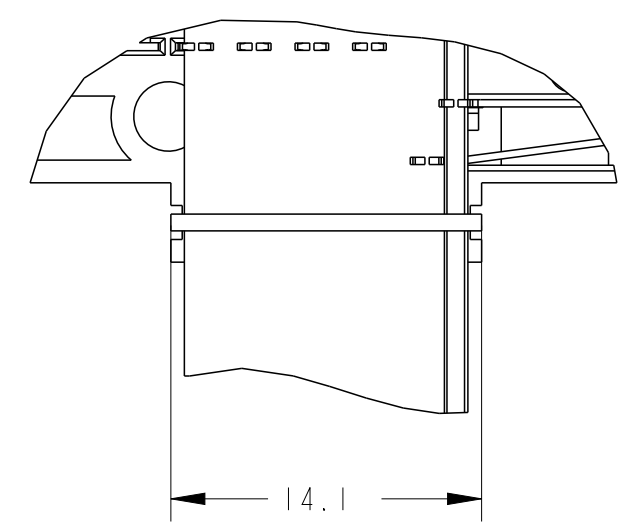
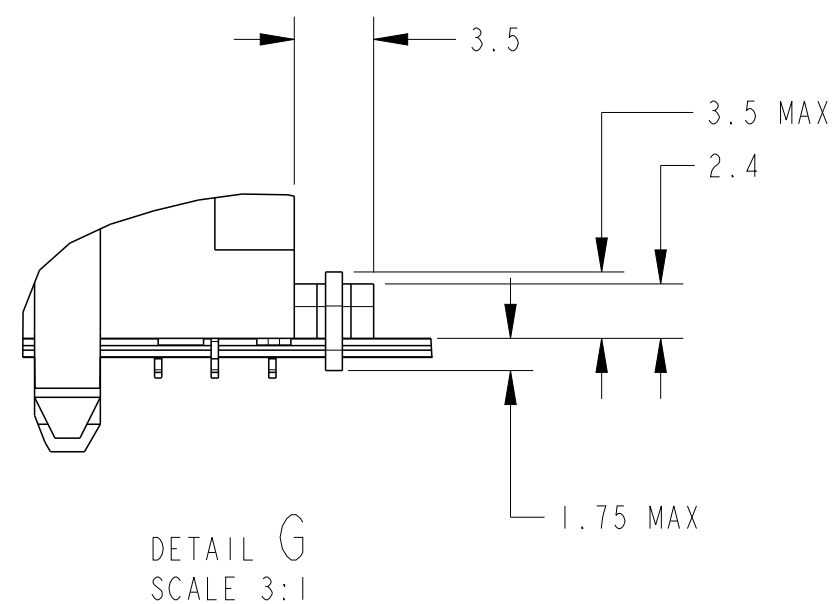


THIS DRAWING IS UNPUBLISHED. RELEASED FOR PUBLICATION
 © COPYRIGHT - ALL RIGHTS RESERVED.

| LOC | DIST | REVISIONS | | | |
|-----|------|-------------|---------------|-----------|--------|
| P | LTR | DESCRIPTION | DATE | DWN | APVD |
| IR | - | B3 | ECR-13-005824 | 27OCT2014 | GG RRP |



NOTES:

CONTACTS PLATING :

- 1 OVERALL: Ni 2µm MIN, ALL OVER THE CONTACTS.
- 2 SOLDER ZONE: Sn 2.5µm MIN ON THE SOLDER ZONE OF THE CONTACTS.
- 3 MATING ZONE: PLATING CONFIRMS TO PRODUCT REQUIREMENTS AS PER SPECIFICATION 108-15174.

MATERIAL :

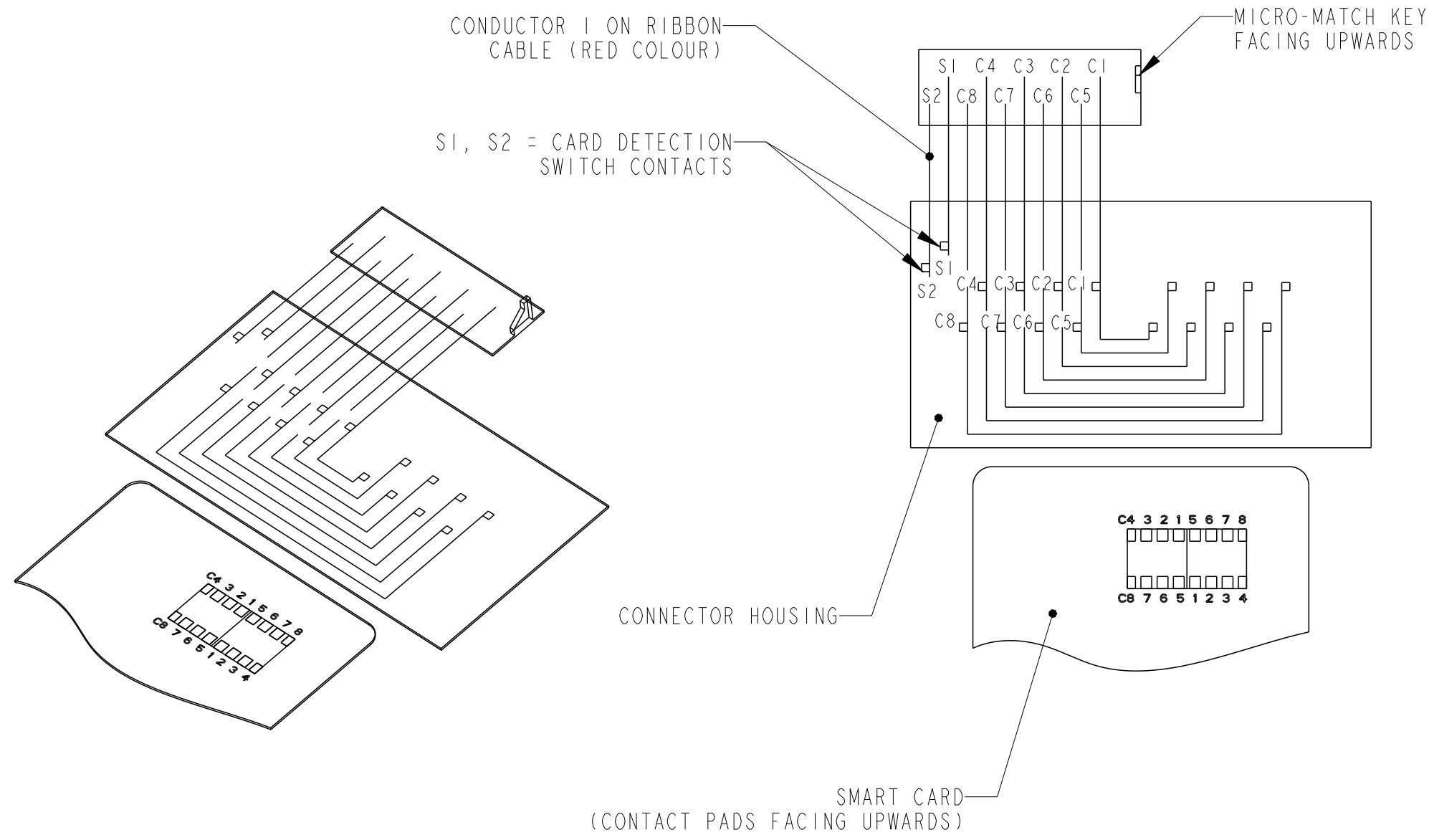
- 1 HOUSING: PBT-GF, BLACK UL 94V0.
- 2 CONTACTS: PHOSPHOR BRONZE.
- 3 TE SMART CARD RECEPTACLE DESIGNED TO ACCEPT ISO 7810-7816 TYPE INTEGRATED CIRCUIT SMART CARDS (0.76MM REF. THICKNESS) SEE SHEET 2/2
- 4 UL STYLE 2651 RIBBON CABLE AND, 10 POSITIONS MICRO-MATCH CONNECTOR; TO BE MATED WITH 1-215079-0 THROUGH HOLE VERSION OR 1-188275-0 SMT VERSION.

| ASS'Y P/N 5953131 | OBSOLETE | | | | | DESCRIPTION | ITEM |
|-------------------|----------|----|----|----|----|---|------|
| | -5 | -4 | -3 | -2 | -1 | | |
| | | | | | | FERRITE CORE (SEE SHEET 2) | 3 |
| | | | | | | RIBBON CABLE ASS'Y, L = 80mm | 2 |
| | | | | | | RIBBON CABLE ASS'Y, L = 150mm | 2 |
| | | | | | | RIBBON CABLE ASS'Y, L = 305mm | 2 |
| | | | | | | RIBBON CABLE ASS'Y, L = 100mm | 2 |
| | | | | | | SMART CARD READER ASS'Y 8 POS. WITH METAL STRAIN RELIEF | 1 |
| | | | | | | Qty per ASS'Y | |

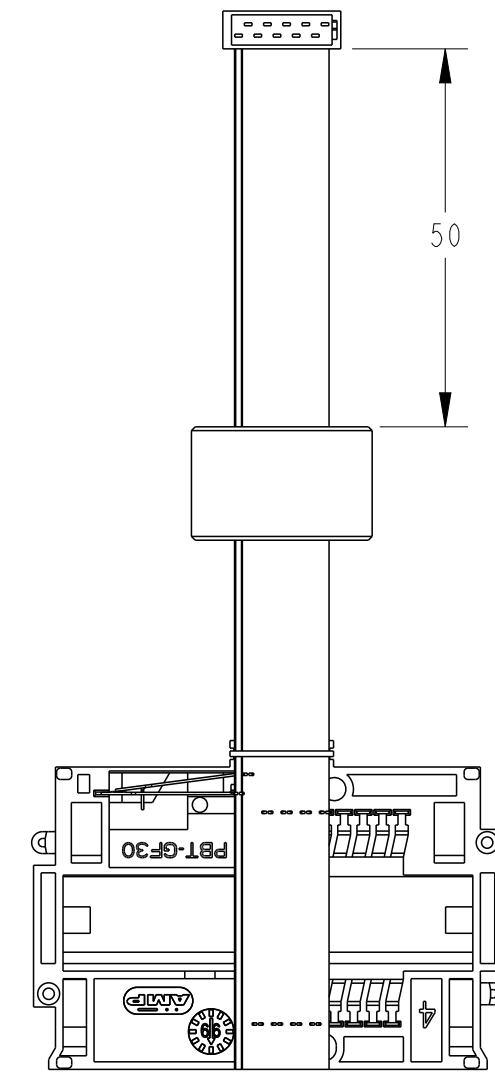
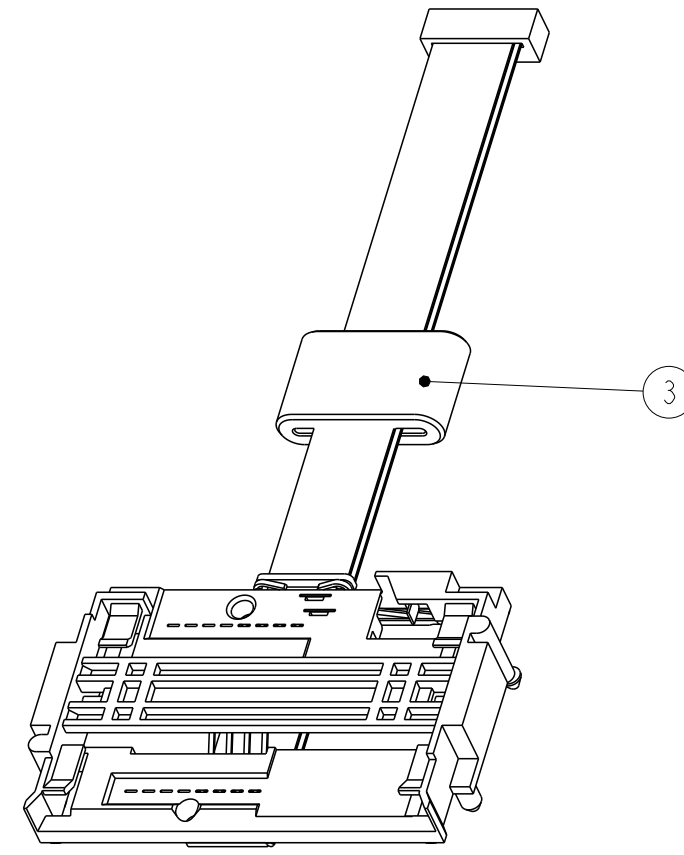
| | | | | | |
|--|--|-------------------|-----------|---|--|
| THIS DRAWING IS A CONTROLLED DOCUMENT. | | DWN R. Coolen | 30-Nov-04 | TE Connectivity SMART CARD READER WITH RIBBON CABLE 8 POSITIONS | |
| DIMENSIONS: mm | | CHK W. Jansen | | | |
| TOLERANCES UNLESS OTHERWISE SPECIFIED: | | APVD P. Jaeger | | NAME | |
| 0 PLC ±0,3 | | PRODUCT SPEC | 108-15174 | SIZE | |
| 1 PLC ±0,3 | | APPLICATION SPEC | | CAGE CODE | |
| 2 PLC ±0,3 | | WEIGHT | | DRAWING NO | |
| 3 PLC ± | | | | RESTRICTED TO | |
| 4 PLC ± | | | | SCALE 2:1 | |
| ANGLES ± | | | | SHEET 1 OF 2 | |
| FINISH | | | | REV B3 | |

THIS DRAWING IS UNPUBLISHED. RELEASED FOR PUBLICATION
 © COPYRIGHT - ALL RIGHTS RESERVED.

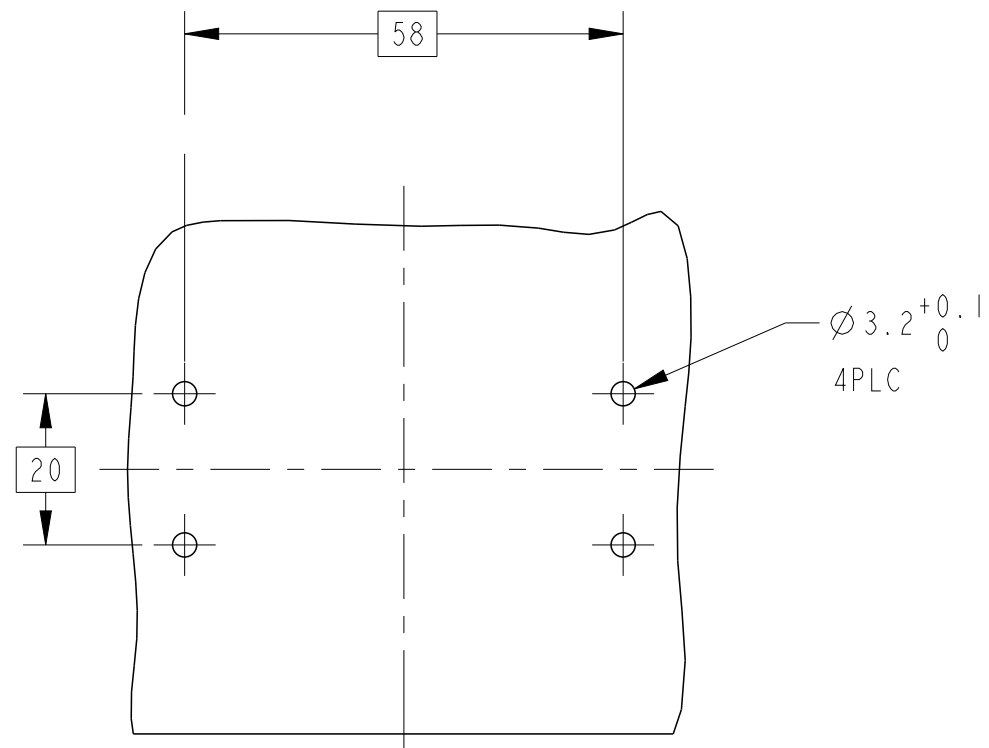
| LOC | DIST | REVISIONS | | | | | |
|-----|------|-----------|-----|-------------|------|-----|------|
| | | P | LTR | DESCRIPTION | DATE | DWN | APVD |
| IR | - | - | - | SEE SHEET 1 | - | - | - |
| | | | | | | | |
| | | | | | | | |



ELECTRICAL DIAGRAM



PN 5953131-5 AS SHOWN



SMART CARD
 INSERTION DIRECTION

RECOMMENDED LAYOUT

CONNECTOR SIDE
 BOARD THICKNESS = 1.57mm
 POSITION TOLERANCE FOR ALL HOLES $\varnothing 0.1$

| | | | | |
|--|--|-------------------|-----------|---|
| THIS DRAWING IS A CONTROLLED DOCUMENT. | | DWN R. Coolen | 30-Nov-04 | STE TE Connectivity |
| DIMENSIONS: mm | | CHK W. Jansen | | |
| TOLERANCES UNLESS OTHERWISE SPECIFIED: | | APVD P. Jaeger | | NAME SMART CARD READER WITH RIBBON CABLE 8 POSITIONS |
| 0 PLC ±0,3 | | PRODUCT SPEC | | SIZE A2 |
| 1 PLC ±0,3 | | APPLICATION SPEC | | CAGE CODE |
| 2 PLC ±0,3 | | | | DRAWING NO C-5953131 |
| 3 PLC ± | | | | RESTRICTED TO |
| 4 PLC ± | | WEIGHT | | |
| ANGLES ± | | | | |
| FINISH | | CUSTOMER DRAWING | SCALE 2:1 | SHEET 2 OF 2 |
| | | | | REV B3 |

单击下面可查看定价，库存，交付和生命周期等信息

[>>TE Connectivity\(泰科\)](#)