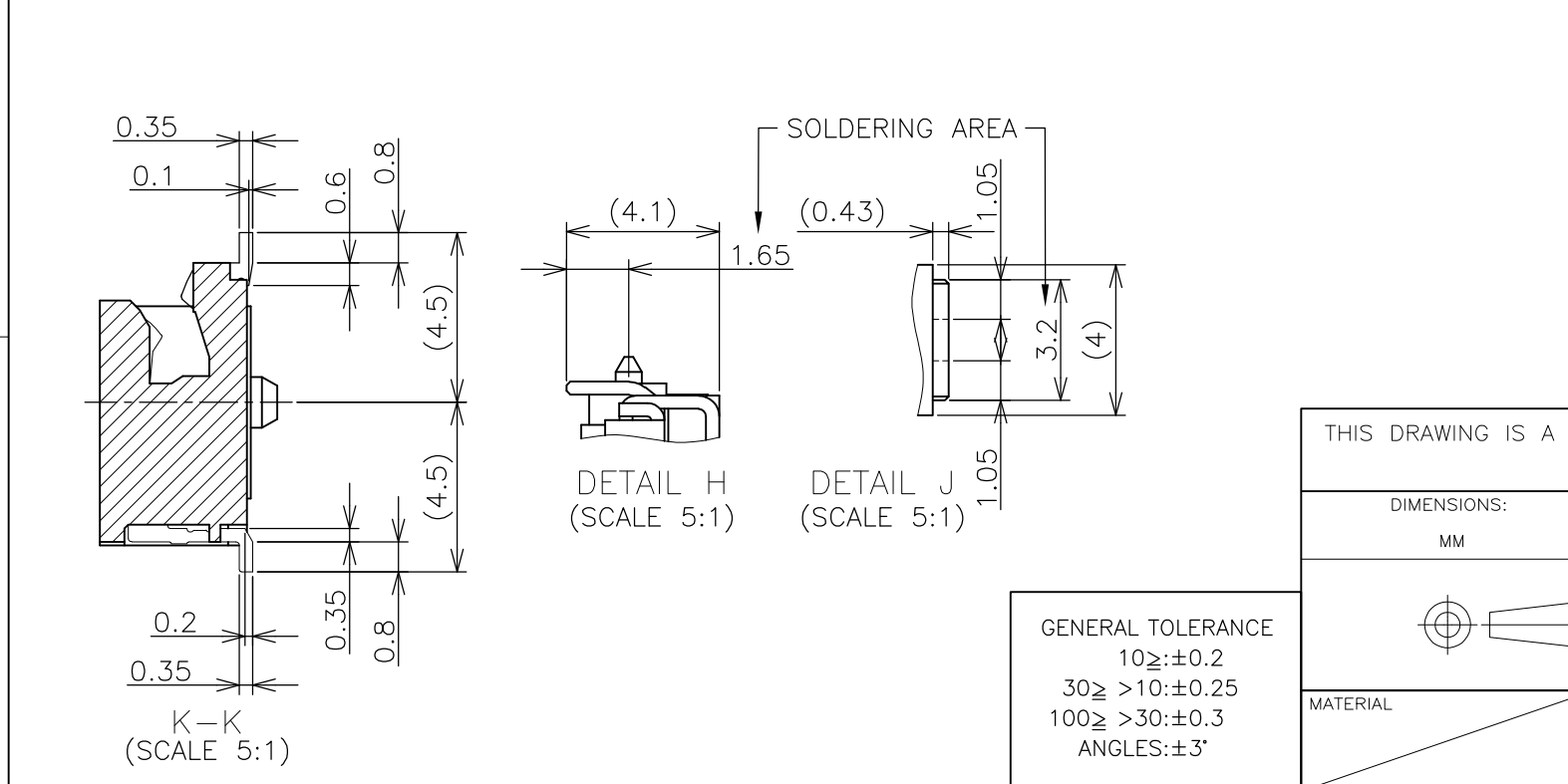
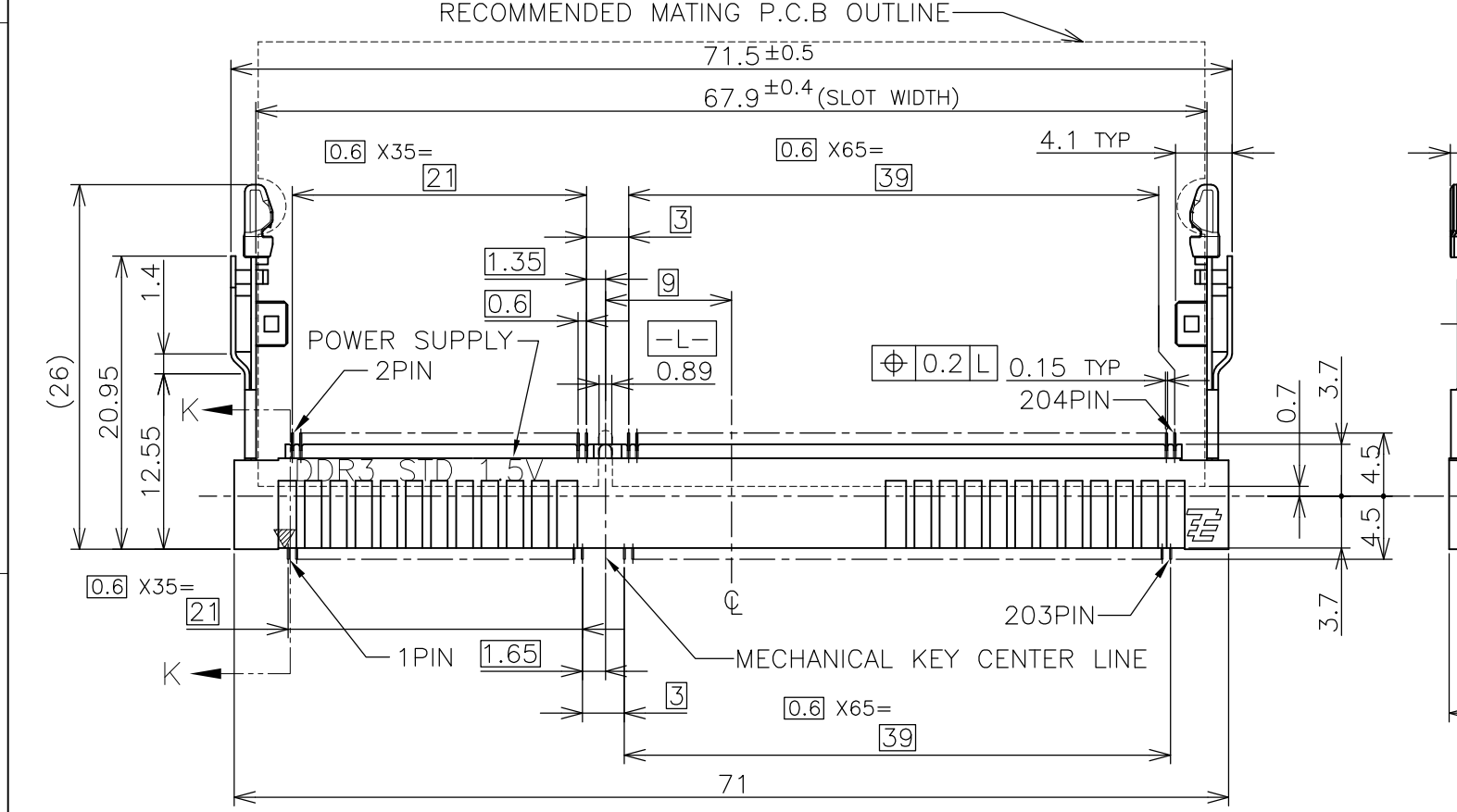
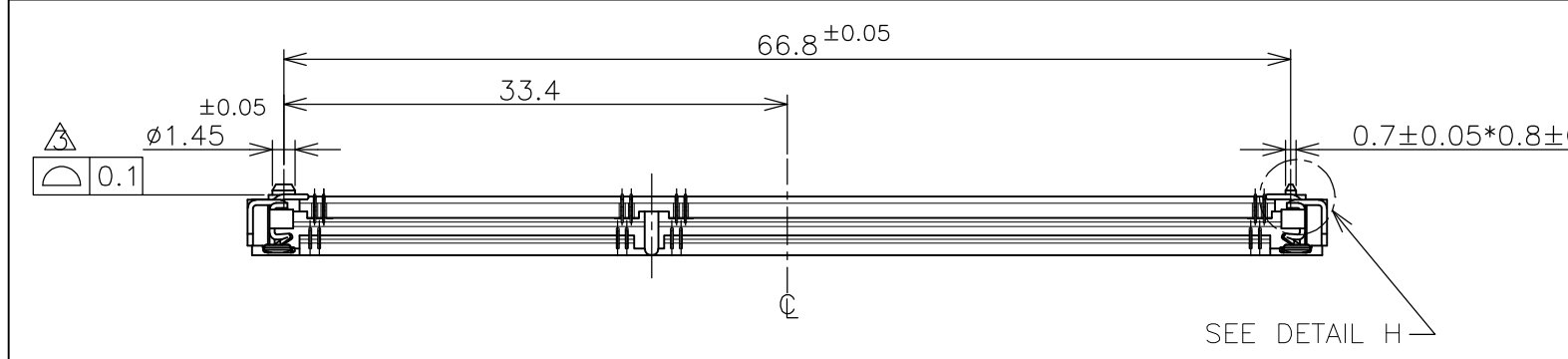


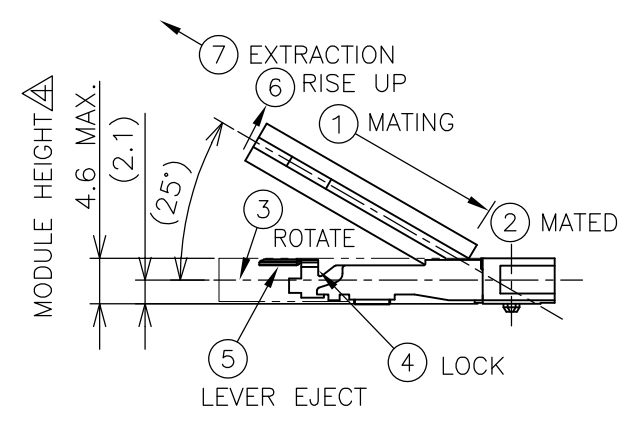
THIS DRAWING IS UNPUBLISHED. RELEASED FOR PUBLICATION FEB. 2006.
 © COPYRIGHT 2006 By - ALL RIGHTS RESERVED.

LOC	DIST	REVISIONS			
P	LTR	DESCRIPTION	DATE	DWN	APVD
J	/				
	C	REVISED PER ECR-12-004002	01MAR2012	W.W	C.W



GENERAL TOLERANCE
 10 ≥ : ± 0.2
 30 ≥ > 10 : ± 0.25
 100 ≥ > 30 : ± 0.3
 ANGLES : ± 3°

HOW TO MATE AND UNMATE
 MATE: ① → ④
 UNMATE: ⑤ → ⑦



- (APPLIED TO SHEET 1-3)
- 1. MATERIAL ; HOUSING: HIGH TEMPERATURE THERMO PLASTIC UL94V-0
 COLOR: BLACK
 CONTACT: COPPER ARROY
 LOCK LEVER: STAINLESS STEEL
 - 2-1. FINISH ; CONTACT AREA: GOLD FLASH
 ALL OVER NICKEL.
 SOLDERING AREA: GOLD FLASH PLATING
 LOCK LEVER: TIN PLATING
 - 2-2. FINISH ; CONTACT AREA: 0.000254MIN GOLD
 ALL OVER NICKEL.
 SOLDERING AREA: GOLD FLASH PLATING
 LOCK LEVER: TIN PLATING
 - 2-3. FINISH ; CONTACT AREA: 0.00076MIN GOLD
 ALL OVER NICKEL.
 SOLDERING AREA: GOLD FLASH PLATING
 LOCK LEVER: TIN PLATING
- △ COPLANARITY: 0.1 MAX. (BEFORE SOLDERING)
 △ THE FLOATING VALUE BY SOLDERING IS NOT INCLUDED.
 △ NOT MATING CONDITION.
6. IF THE MODULE DOESN'T INSERT AND LOCK IN THE LATCH SMOOTHLY, OPEN WIDE BOTH LATCHES BY MANUAL. AND THE MODULE MUST BE INSERTED AND LOCKED IN THE LATCH.

THIS DRAWING IS A CONTROLLED DOCUMENT.		DWN T.FUMIKURA 18SEP2007	TE Connectivity		
DIMENSIONS: MM		CHK K.IKEGAMI 18SEP2007			
TOLERANCES UNLESS OTHERWISE SPECIFIED:		APVD K.IKEGAMI 18SEP2007	NAME		
0 PLC ±		PRODUCT SPEC			
1 PLC ±		108-78493			
2 PLC ±		APPLICATION SPEC			
3 PLC ±		SIZE CAGE CODE DRAWING NO RESTRICTED TO			
4 PLC ±		WEIGHT 3.6g A3 00779 C-2013022			
ANGLES ±		SCALE 2:1 SHEET 1 OF 6 REV C			
FINISH		CUSTOMER DRAWING			

THIS DRAWING IS UNPUBLISHED. RELEASED FOR PUBLICATION FEB , 2006.
 © COPYRIGHT 2006 By - ALL RIGHTS RESERVED.

LOC		DIST		REVISIONS				
P	LTR	DESCRIPTION			DATE	DWN	APVD	
	-	SEE SHEET 1			-	-	-	

TOOLING STATUS	PACKING TYPE	BOSS TYPE	HOUSING COLOR	FINISH	POWER SUPPLY	POS	PART NO.
AVAILABLE	ENBOSS (SEE SHEET 6)	WITH BOSS	BLACK	NOTE 2-3	1.5V	204	2-2013022-3
AVAILABLE	ENBOSS (SEE SHEET 6)	WITH BOSS	BLACK	NOTE 2-2	1.5V	204	2-2013022-2
AVAILABLE	ENBOSS (SEE SHEET 6)	WITH BOSS	BLACK	NOTE 2-1	1.5V	204	2-2013022-1
AVAILABLE	SEMI-HARD TRAY (SEE SHEET 5)	WITH BOSS	BLACK	NOTE 2-3	1.5V	204	2013022-3
AVAILABLE	SEMI-HARD TRAY (SEE SHEET 5)	WITH BOSS	BLACK	NOTE 2-2	1.5V	204	2013022-2
AVAILABLE	SEMI-HARD TRAY (SEE SHEET 5)	WITH BOSS	BLACK	NOTE 2-1	1.5V	204	2013022-1

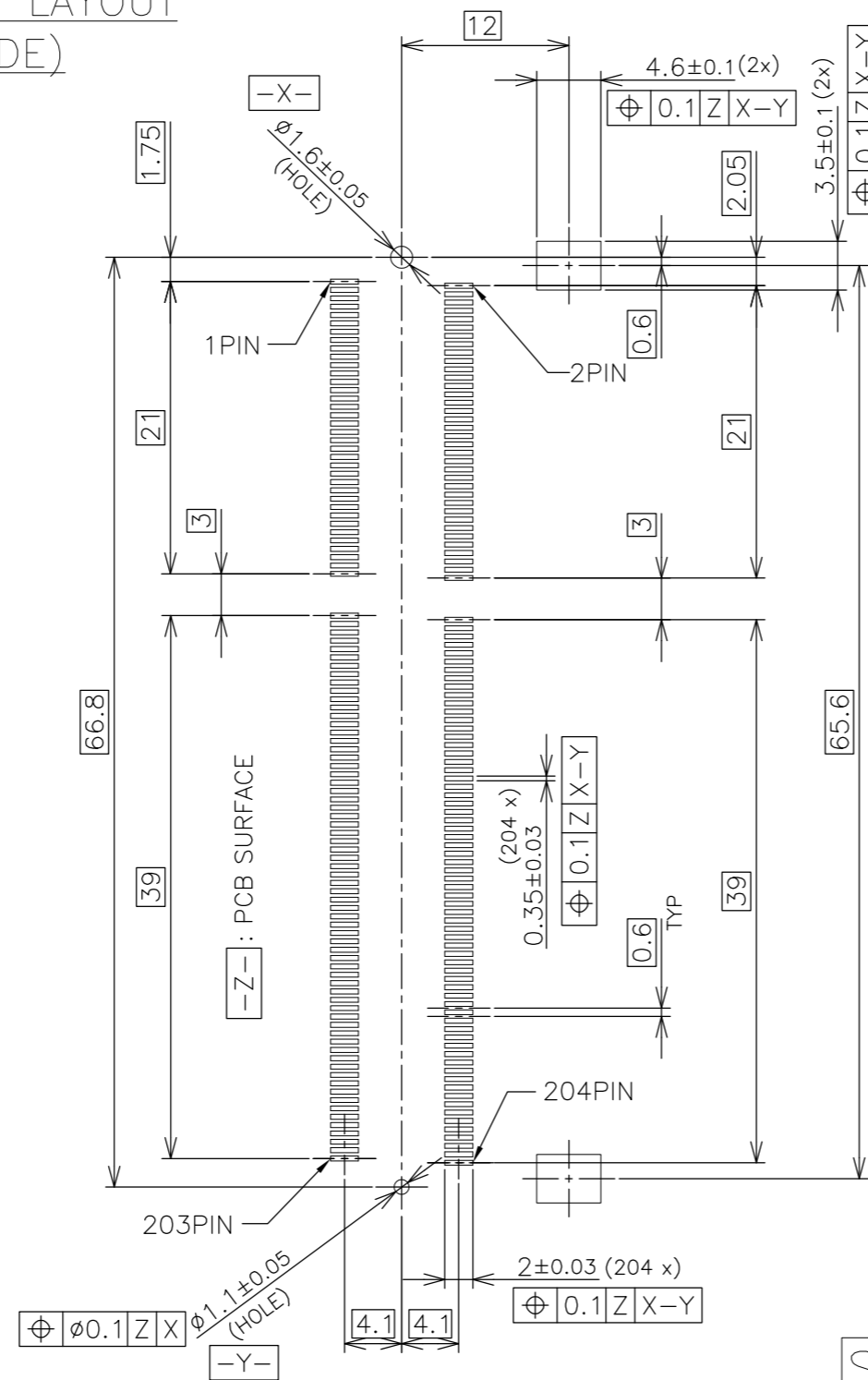
GENERAL TOLERANCE
 10 ≥ : ±0.2
 30 ≥ >10: ±0.25
 100 ≥ >30: ±0.3
 ANGLES: ±3°

THIS DRAWING IS A CONTROLLED DOCUMENT.


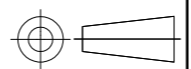
DWN		TE Connectivity	
CHK		NAME	
APVD		DDR3 SODIMM SOCKET 0.6mm PITCH 204POS 4mm HEIGHT STANDARD TYPE	
PRODUCT SPEC		SIZE	CAGE CODE
APPLICATION SPEC	A3 00779		C-2013022
WEIGHT	CUSTOMER DRAWING		RESTRICTED TO
SCALE		FREE	SHEET 2 OF 6
REV		C	

P	LTR	DESCRIPTION	DATE	DWN	APVD
-		SEE SHEET 1	-	-	-

REFERENCE P.C.BOARD PATTERN LAYOUT (CONNECTOR MOUNTING SIDE)



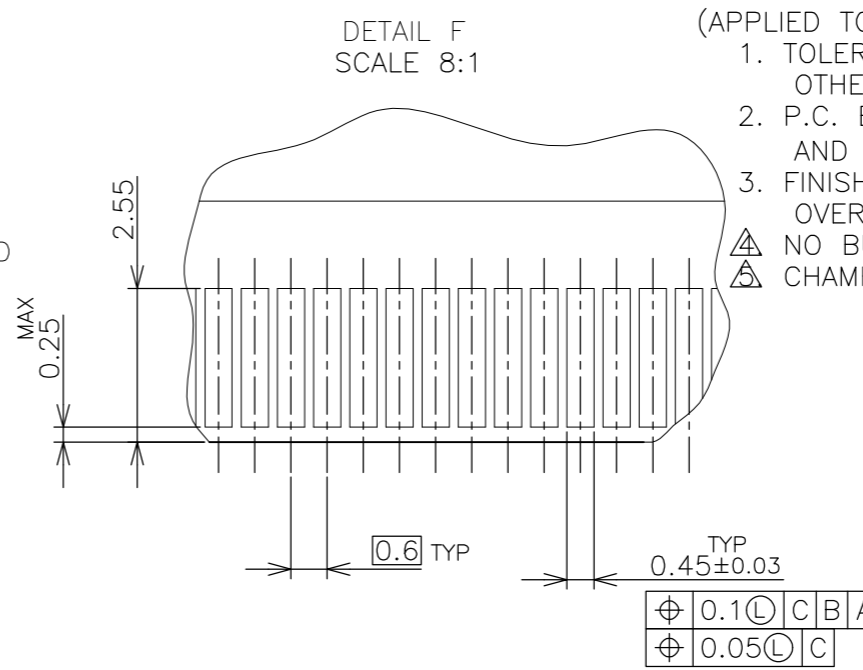
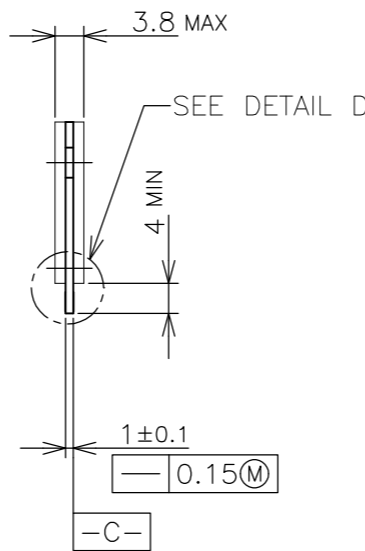
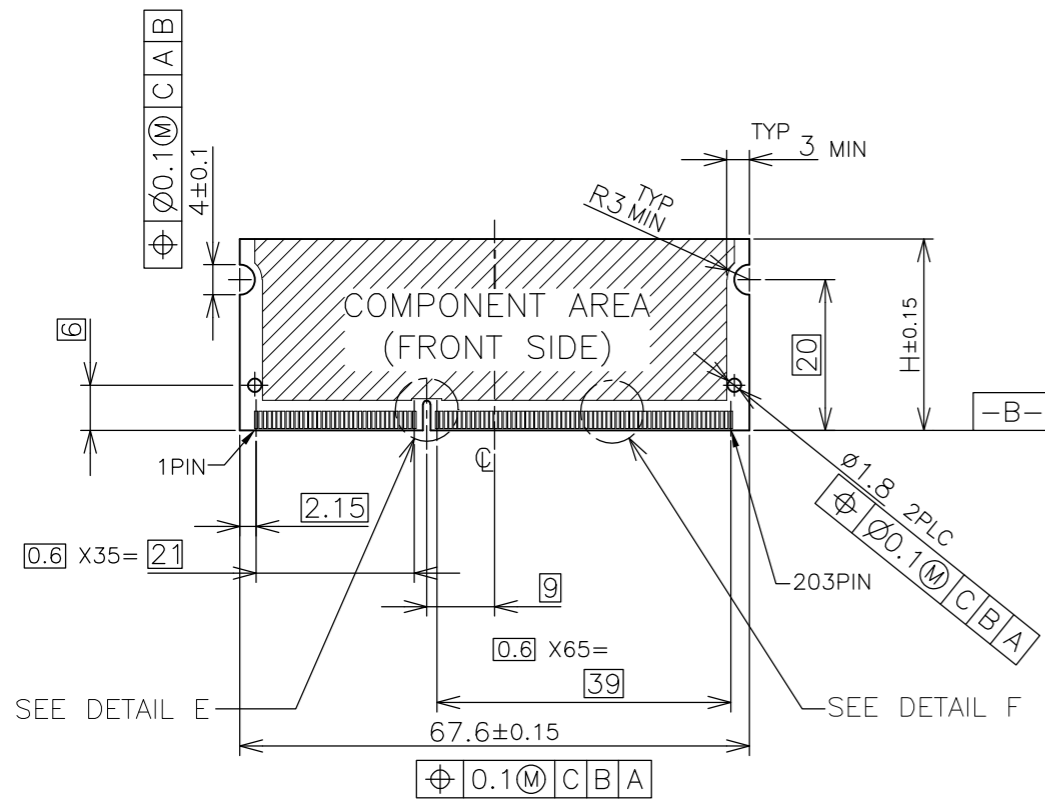
STD TYPE

THIS DRAWING IS A CONTROLLED DOCUMENT.		DWN		 TE Connectivity			
DIMENSIONS: MM		CHK				NAME	
		APVD				DDR3 SODIMM SOCKET 0.6mm PITCH 204POS 4mm HEIGHT STANDARD TYPE	
TOLERANCES UNLESS OTHERWISE SPECIFIED:		PRODUCT SPEC					
MATERIAL		FINISH		APPLICATION SPEC			
0 PLC ± 1 PLC ± 2 PLC ± 3 PLC ± 4 PLC ± ANGLES ±		WEIGHT		SIZE CAGE CODE DRAWING NO RESTRICTED TO A3 00779 C-2013022 -			
CUSTOMER DRAWING			SCALE 2:1		SHEET 3 OF 6 REV C		

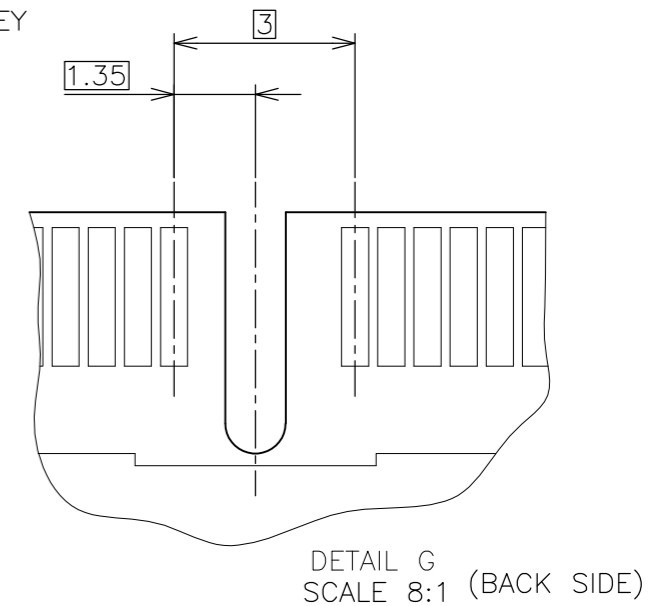
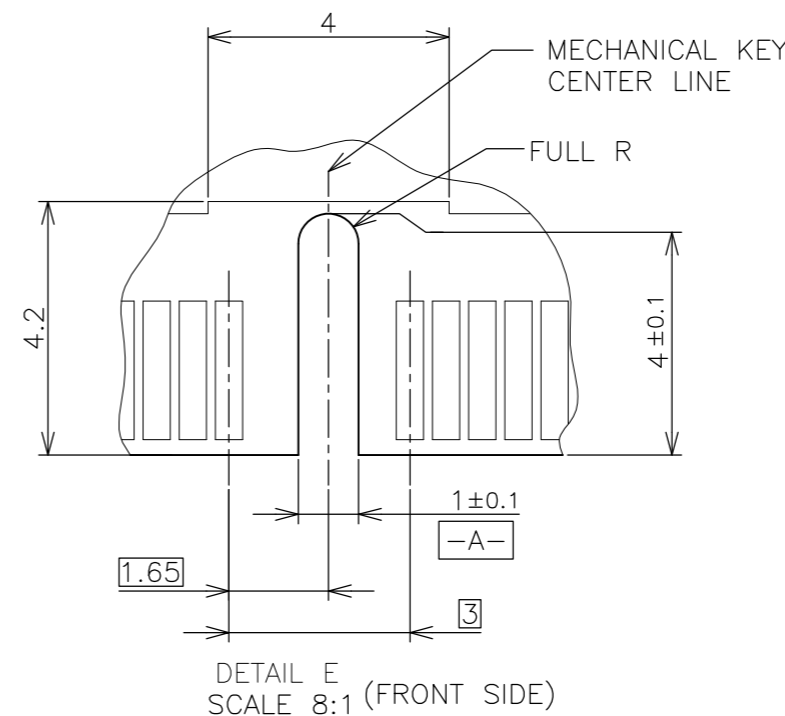
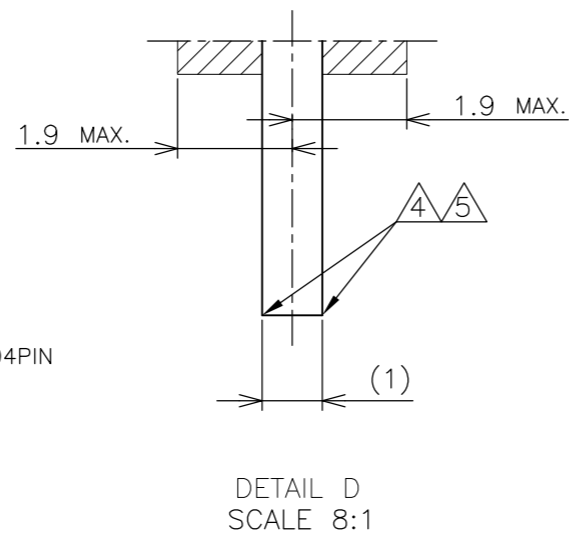
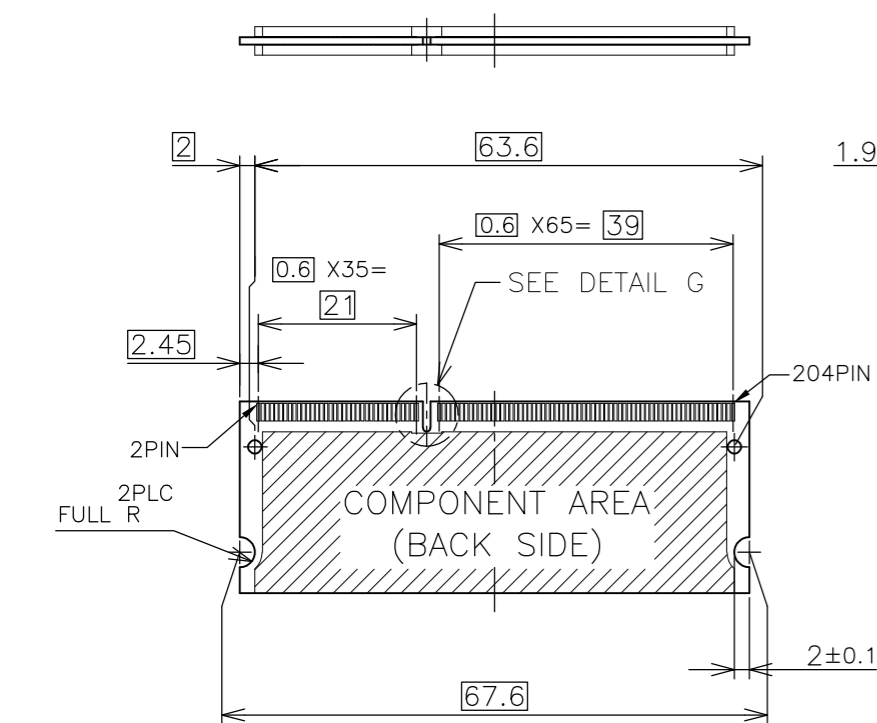
LOC	DIST
J	/

REVISIONS		DESCRIPTION	DATE	DWN	APVD
P	LTR	SEE SHEET 1	-	-	-

REFERENCE MATING P.C.B CONFIGURATION



- 1. TOLERANCES ON ALL DIMENSIONS ± 0.15 UNLESS OTHERWISE SPECIFIED.
- 2. P.C. BOARD THICKNESS APPLIES ACROSS TABS AND INCLUDES PLATING AND/OR METALIZATION.
- 3. FINISH OF PAD : GOLD PLATING 0.00076 MIN. OVER Ni PLATING 0.002MIN.
- NO BURR
- CHAMFER 0.25 MAX x 45° IF EXIST.

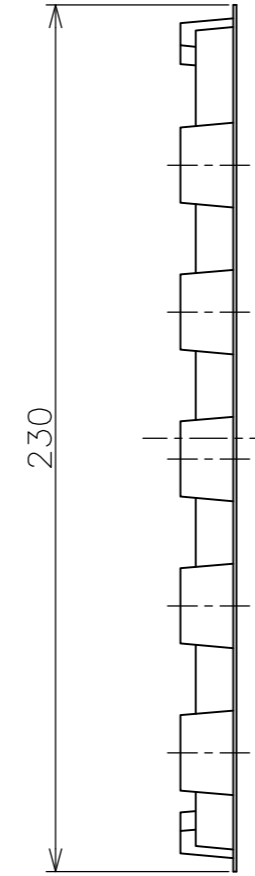
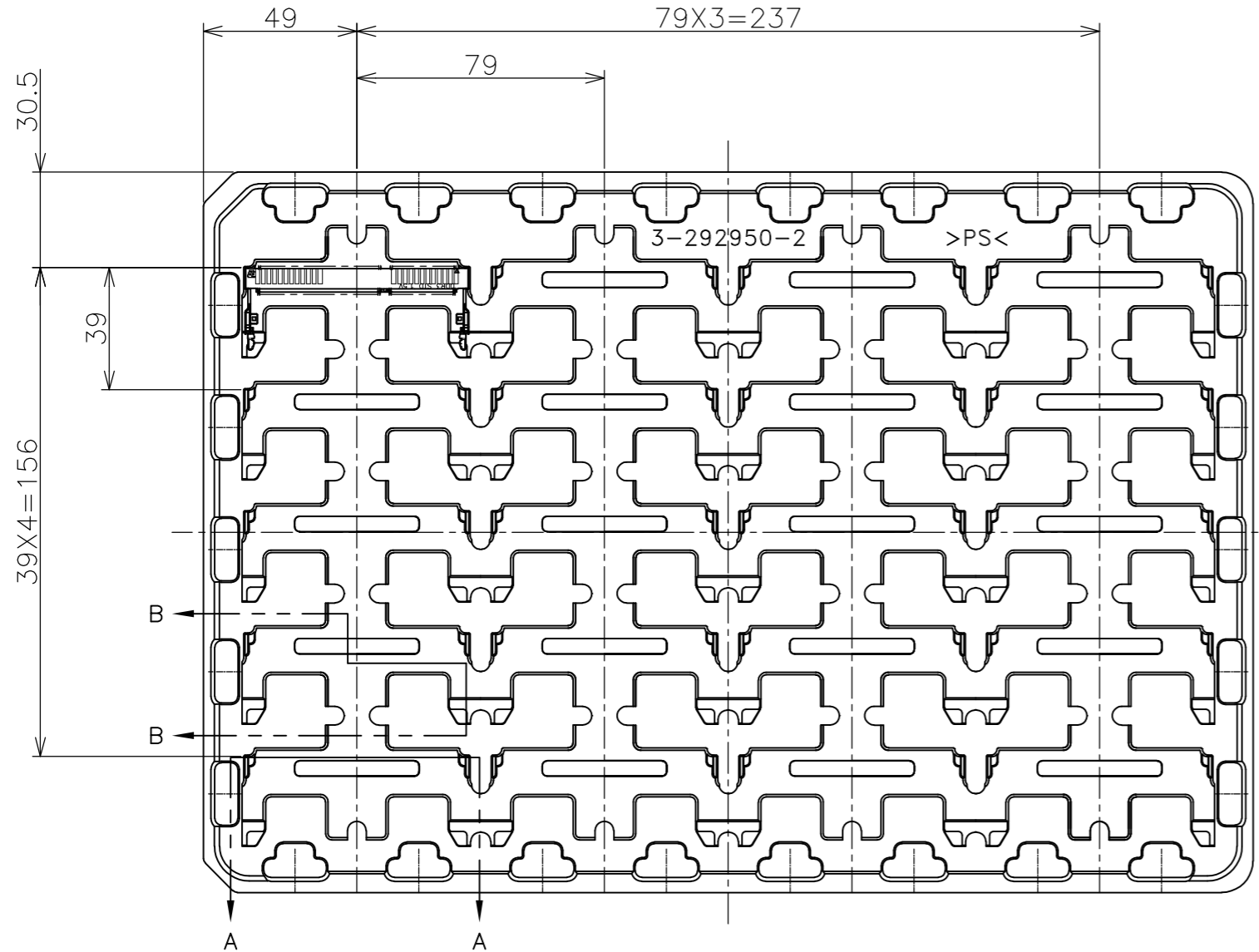


30	CA
31.75	BA
25.4	AA
H	SDRAM VARIATIONS

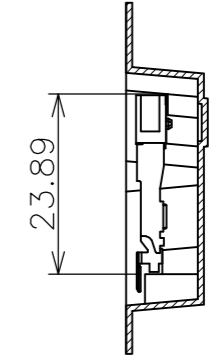
THIS DRAWING IS A CONTROLLED DOCUMENT.		DWN	TE Connectivity			
DIMENSIONS: MM		CHK				
		APVD				
TOLERANCES UNLESS OTHERWISE SPECIFIED: 0 PLC \pm 1 PLC \pm 2 PLC \pm 3 PLC \pm 4 PLC \pm ANGLES \pm FINISH \pm		NAME				
MATERIAL		PRODUCT SPEC	DDR3 SODIMM SOCKET			
		APPLICATION SPEC	0.6mm PITCH 204POS			
		WEIGHT	4mm HEIGHT STANDARD TYPE			
		CUSTOMER DRAWING	SIZE	CAGE CODE	DRAWING NO	RESTRICTED TO
			A3	00779	C-2013022	-
			SCALE	SHEET	REV	
			2:1	4 OF 6	C	

THIS DRAWING IS UNPUBLISHED. RELEASED FOR PUBLICATION FEB ,2006.
 © COPYRIGHT 2006 By - ALL RIGHTS RESERVED.

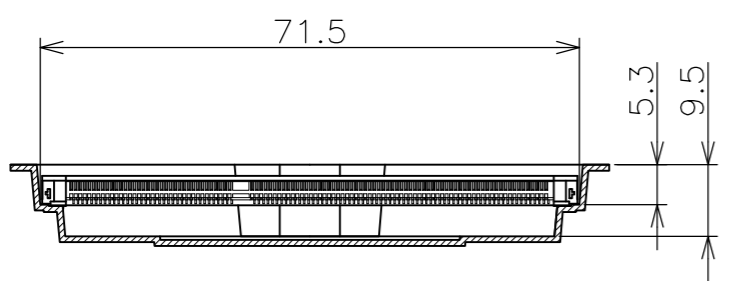
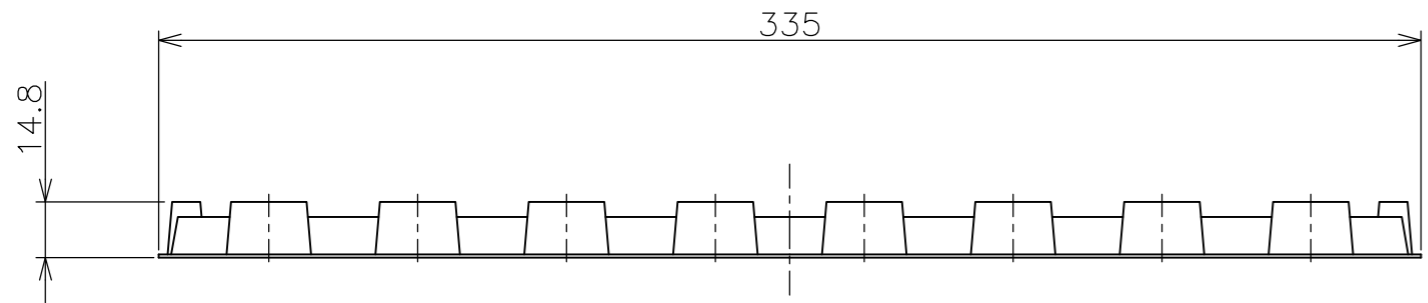
LOC	DIST	REVISIONS			
P	LTR	DESCRIPTION	DATE	DWN	APVD
J	/	SEE SHEET 1	-	-	-



- (APPLIED TO SHEET 5)
1. THE DIRECTION OF EACH CONNECTOR ON A TRAY IS REFERRED TO THIS DRAWING.
 2. GENERAL TOLERANCE: ±0.5, ±3'



B-B
SCALE 1:1



A-A
SCALE 1:1
(180DEG. ROTATE)

240EA	20EA	*-2013022-*	
QTY/BOX	QTY/TRAY	PART NO.	
TE Connectivity		NAME	
		DDR3 SODIMM SOCKET 0.6mm PITCH 204POS 4mm HEIGHT STANDARD TYPE	
SIZE	CAGE CODE	DRAWING NO	RESTRICTED TO
A3	00779	C-2013022	-
CUSTOMER DRAWING		SCALE 1:2	SHEET 5 OF 6 REV C

THIS DRAWING IS A CONTROLLED DOCUMENT.		DWN
DIMENSIONS: MM		CHK
		APVD
TOLERANCES UNLESS OTHERWISE SPECIFIED:		PRODUCT SPEC
0 PLC	± 0.5	APPLICATION SPEC
1 PLC	± 0.5	WEIGHT
2 PLC	± 0.5	
3 PLC	± 0.5	
4 PLC	± 0.5	
ANGLES	± 3'	
MATERIAL	FINISH	

THIS DRAWING IS UNPUBLISHED.

RELEASED FOR PUBLICATION FEB ,2006.

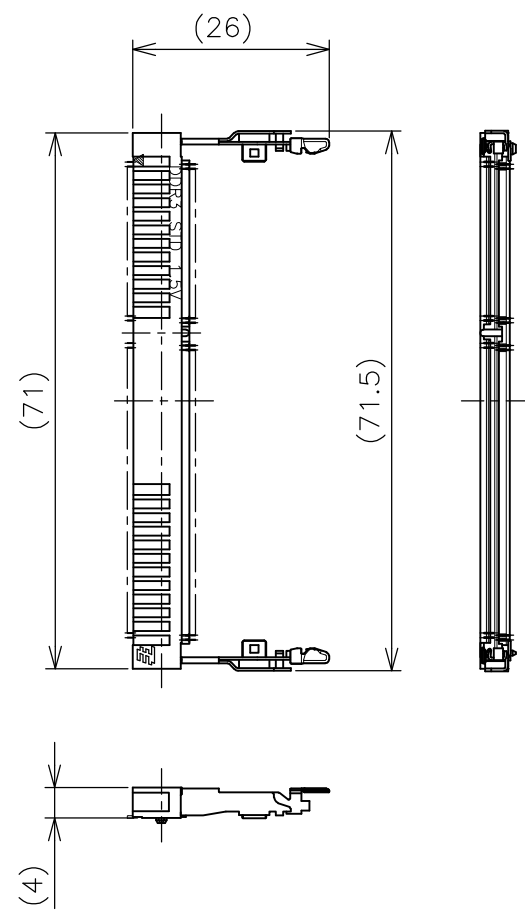
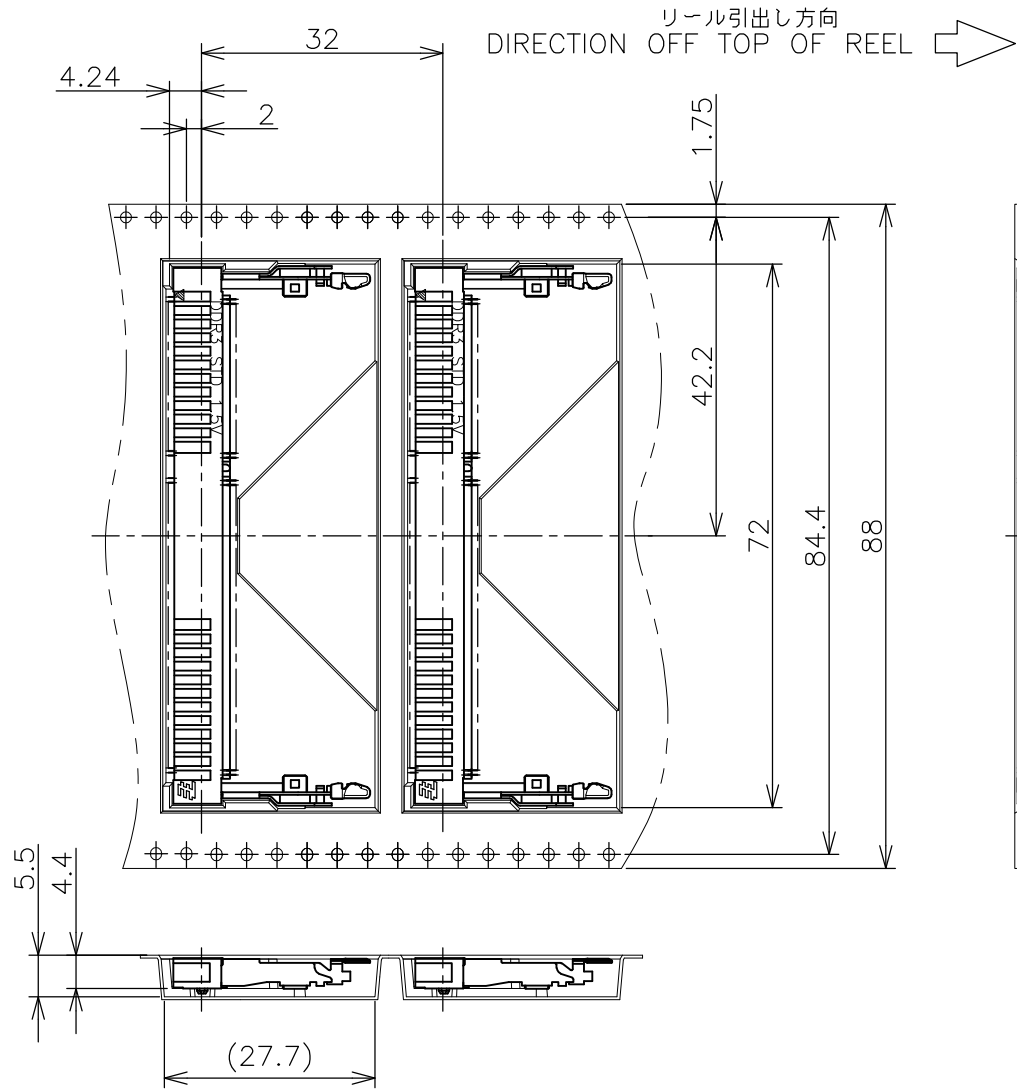
© COPYRIGHT 2006 By -

ALL RIGHTS RESERVED.

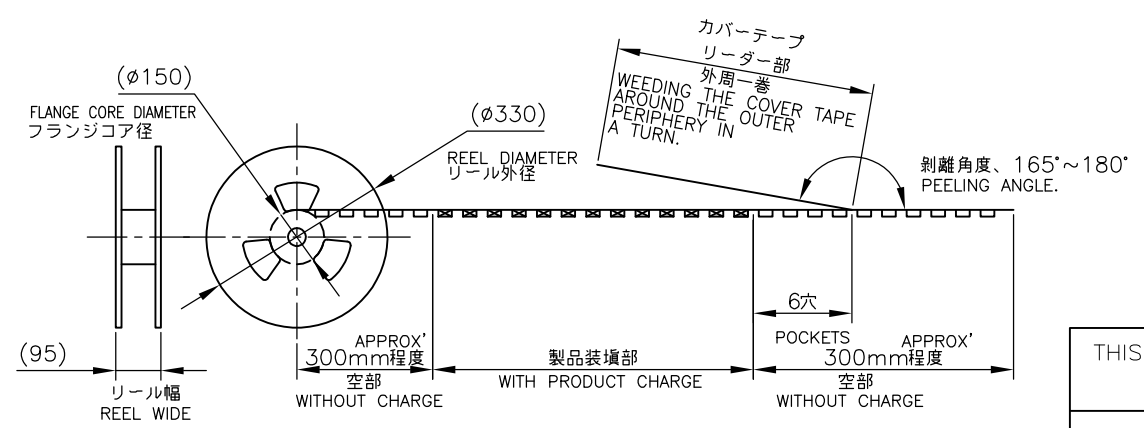
LOC J DIST

REVISIONS

P	LTR	DESCRIPTION	DATE	DWN	APVD
-	-	SEE SHEET 1	-	-	-



- (APPLIED TO SHEET 6)
1. THE DIRECTION OF EACH CONNECTOR ON A EMBOSS IS REFERRED TO THIS DRAWING.
 2. GENERAL TOLERANCE: ± 0.5 , $\pm 3^\circ$



FREE SCALE

THIS DRAWING IS A CONTROLLED DOCUMENT.

DIMENSIONS: MM	TOLERANCES UNLESS OTHERWISE SPECIFIED:
	0 PLC ± 0.5
	1 PLC ± 0.5
	2 PLC ± 0.5
	3 PLC ± 0.5
	4 PLC ± 0.5
	ANGLES $\pm 3^\circ$
MATERIAL	FINISH

DWN
CHK
APVD
PRODUCT SPEC
APPLICATION SPEC
WEIGHT
CUSTOMER DRAWING

200EA		*-2013022-*	
QTY/REEL		PART NO.	
STE TE Connectivity			
NAME DDR3 SODIMM SOCKET 0.6mm PITCH 204POS 4mm HEIGHT STANDARD TYPE			
SIZE	CAGE CODE	DRAWING NO	RESTRICTED TO
A3	00779	C-2013022	-
SCALE 1:1		SHEET 6 OF 6	REV C

单击下面可查看定价，库存，交付和生命周期等信息

[>>TE Connectivity\(泰科\)](#)