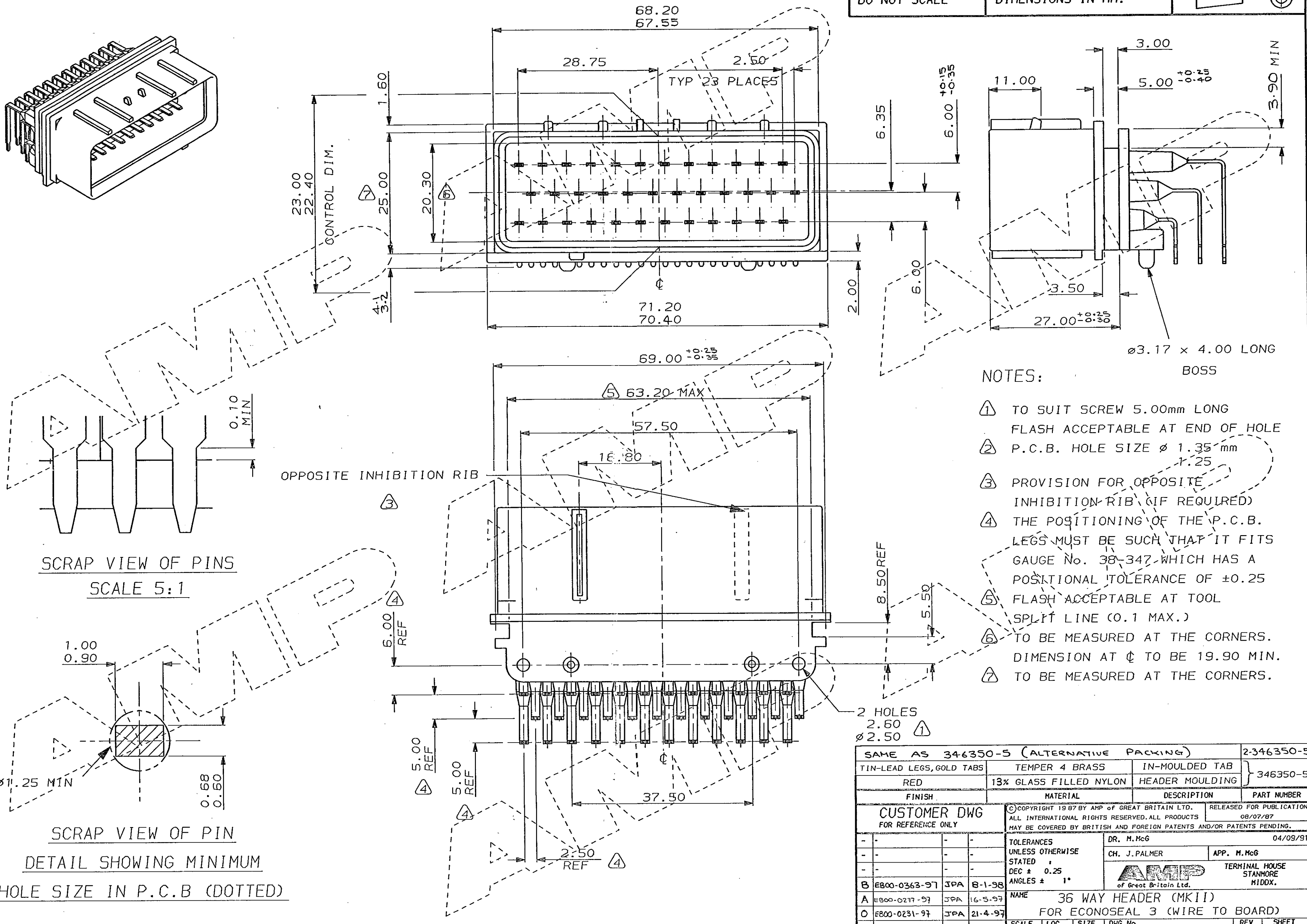
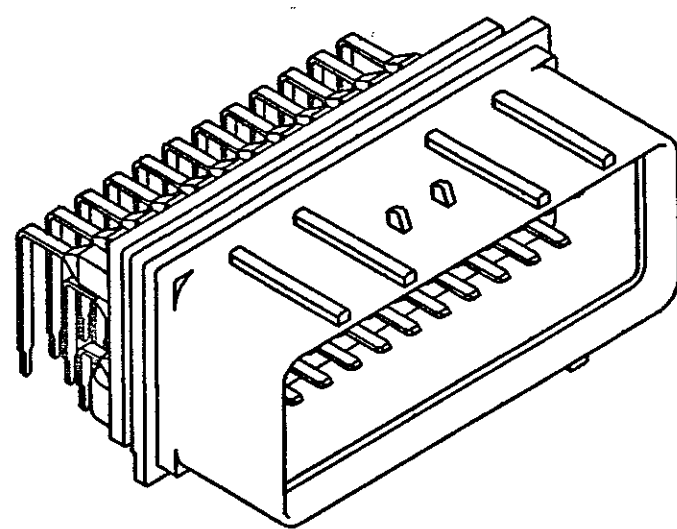


C.A.D. FILE CODE
S. C346350.

DO NOT SCALE DIMENSIONS IN MM.



- NOTES:
- ① TO SUIT SCREW 5.00mm LONG
FLASH ACCEPTABLE AT END OF HOLE
 - ② P.C.B. HOLE SIZE $\phi 1.35$ mm
 - ③ PROVISION FOR OPPOSITE
INHIBITION RIB (IF REQUIRED)
 - ④ THE POSITIONING OF THE P.C.B.
LEGS MUST BE SUCH THAT IT FITS
GAUGE No. 38-347 WHICH HAS A
POSITIONAL TOLERANCE OF ± 0.25
 - ⑤ FLASH ACCEPTABLE AT TOOL
SPLIT LINE (0.1 MAX.)
 - ⑥ TO BE MEASURED AT THE CORNERS.
DIMENSION AT ϕ TO BE 19.90 MIN.
 - ⑦ TO BE MEASURED AT THE CORNERS.

SCRAP VIEW OF PINS
SCALE 5:1

SCRAP VIEW OF PIN
DETAIL SHOWING MINIMUM
HOLE SIZE IN P.C.B (DOTTED)

SAME AS 346350-5 (ALTERNATIVE PACKING)			2-346350-5
TIN-LEAD LEGS, GOLD TABS	TEMPER 4 BRASS	IN-MOULDED TAB	346350-5
RED	13% GLASS FILLED NYLON	HEADER MouldING	
FINISH	MATERIAL	DESCRIPTION	PART NUMBER
CUSTOMER DWG FOR REFERENCE ONLY		© COPYRIGHT 1987 BY AMP OF GREAT BRITAIN LTD. ALL INTERNATIONAL RIGHTS RESERVED. ALL PRODUCTS MAY BE COVERED BY BRITISH AND FOREIGN PATENTS AND/OR PATENTS PENDING.	
-		DR. M. McG 04/09/91	
-		CH. J. PALMER APP. M. McG	
-		TERMINAL HOUSE STANMORE HIDD.	
B	E800-0363-97	JPA	8-1-98
A	E800-0277-97	JPA	16-5-97
O	E800-0231-97	JPA	21-4-97
M. McG		NAME 36 WAY HEADER (MKII)	
REV APPROVED		FOR ECONOSEAL 3 (WIRE TO BOARD)	
SCALE	LOC	SIZE	DWG. No.
2/1	E	A2	C346350
REV	APPROVED	ECN	DATE
REV	APPROVED	ECN	DATE
REV	APPROVED	ECN	DATE

单击下面可查看定价，库存，交付和生命周期等信息

[>>TE Connectivity\(泰科\)](#)