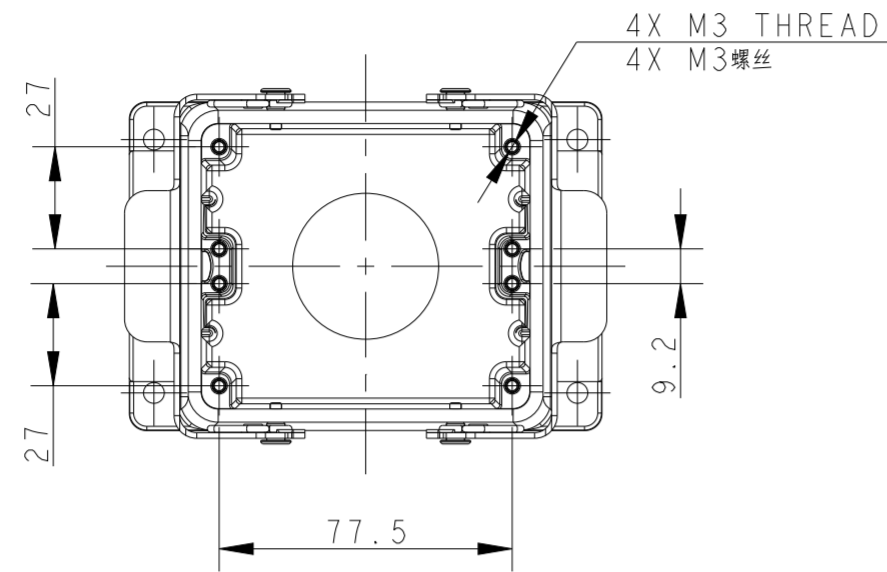


THIS DRAWING IS UNPUBLISHED. RELEASED FOR PUBLICATION 20  
 © COPYRIGHT 20 BY - ALL RIGHTS RESERVED.

REVISIONS					
P	LTR	DESCRIPTION	DATE	DWN	APVD
A		INITIAL RELEASE	04JUN2015	DL	CW
A1		ECR-17-000247	09JAN2017	BS	CW
B		ECR-21-109004	16AUG2021	WOR	CW

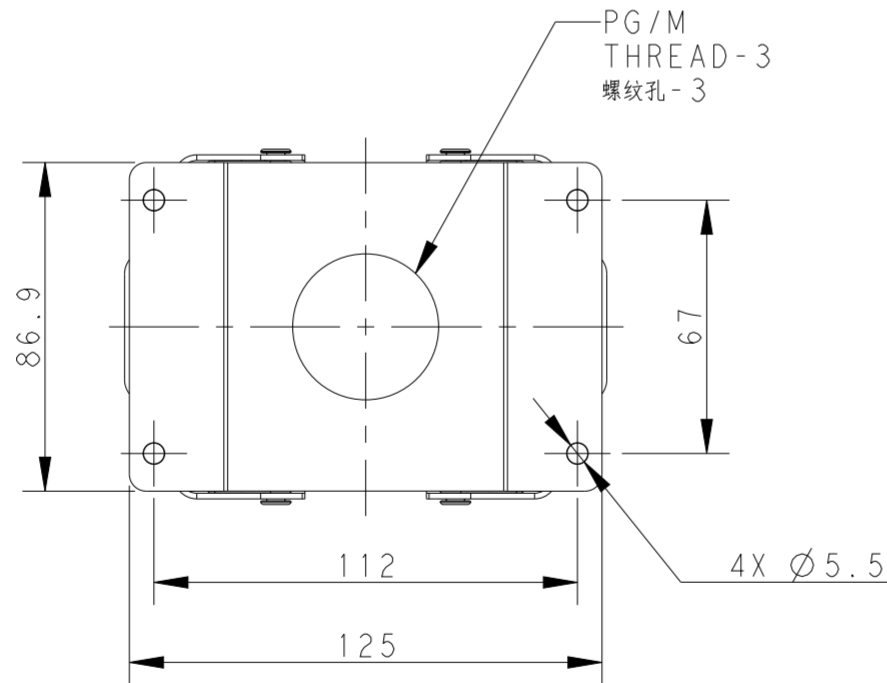
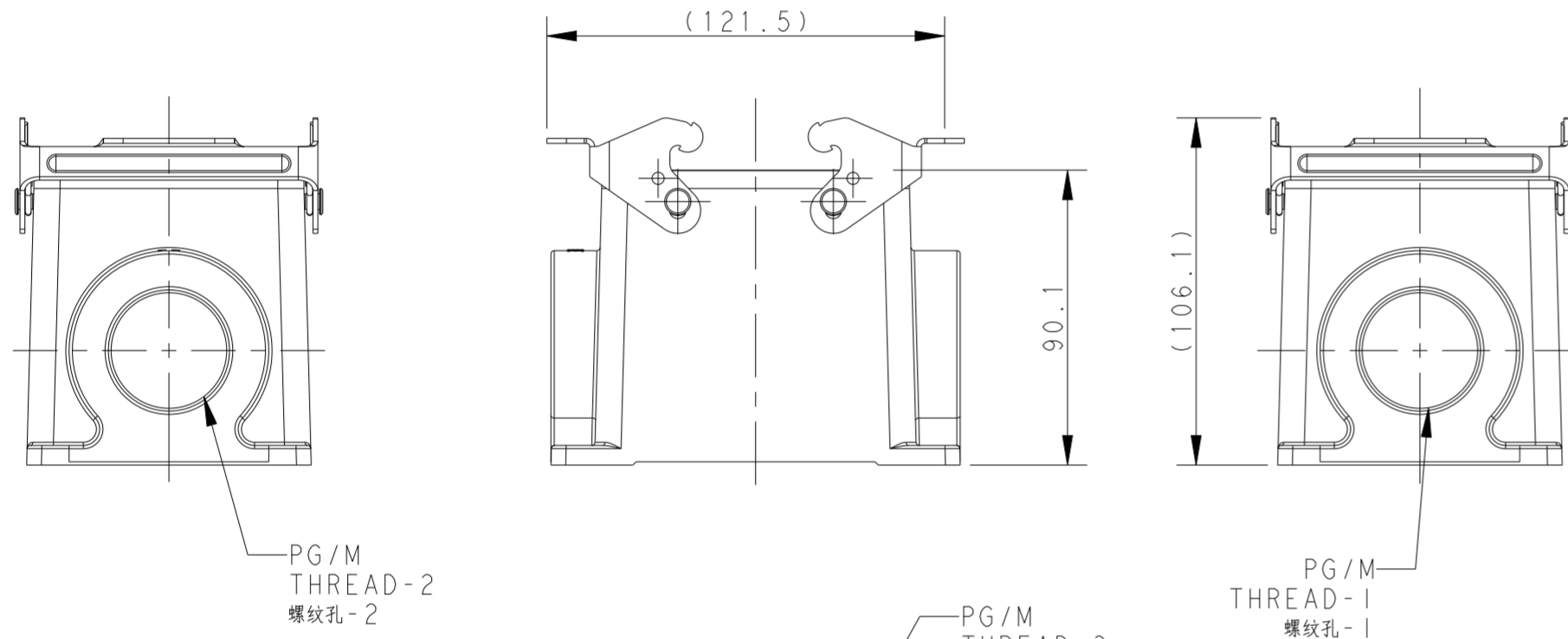


NOTES:

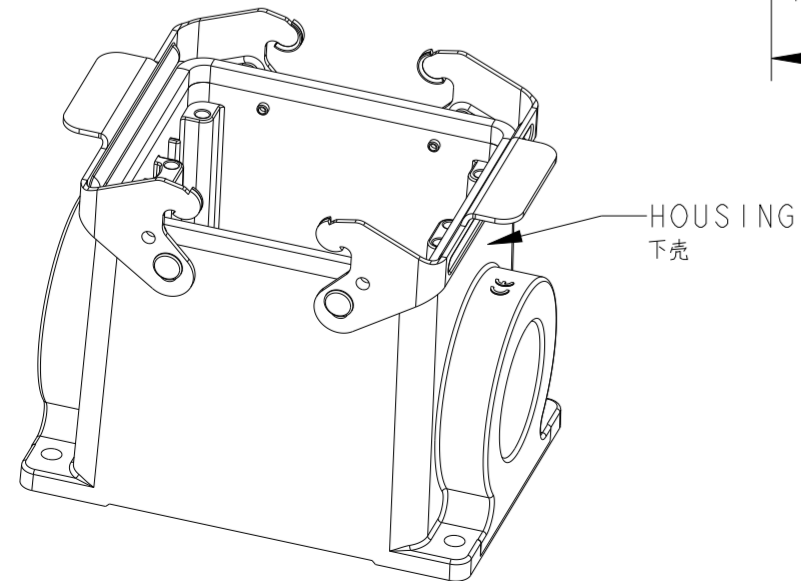
1. TECHNICAL CHARACTERISTICS:  
 HOUSING MATERIAL: DIE CAST ALUMINIUM ALLOY  
 HOUSING SURFACE: POWDER COATED, GREY  
 DEGREE OF PROTECTION: IP65 (MATED)

注释:

1. 技术参数:  
 下壳材料: 铝合金  
 下壳表面处理: 灰色粉末喷涂  
 防护等级: IP65 (配合)



T1440322129-000	H32B-SGR-PG29	H32B HOUSING, SURFACE MOUNTED, METAL DOUBLE LOCKING, PG29, POWDER COATED, GREY H32B下壳, 表面安装, 彩锌双扣, PG29, 灰色粉末喷涂	PG29	-	-	
T1440322132-000	H32B-SGR-M32	H32B HOUSING, SURFACE MOUNTED, METAL DOUBLE LOCKING, M32, POWDER COATED, GREY H32B下壳, 表面安装, 彩锌双扣, M32, 灰色粉末喷涂	M32	-	-	
T1440322136-000	H32B-SGR-PG36	H32B HOUSING, SURFACE MOUNTED, METAL DOUBLE LOCKING, PG36, POWDER COATED, GREY H32B下壳, 表面安装, 彩锌双扣, PG36, 灰色粉末喷涂	PG36	-	-	
T1440322140-000	H32B-SGR-M40	H32B HOUSING, SURFACE MOUNTED, METAL DOUBLE LOCKING, M40, POWDER COATED, GREY H32B下壳, 表面安装, 彩锌双扣, M40, 灰色粉末喷涂	M40	-	-	
T1440322142-000	H32B-SGR-PG42	H32B HOUSING, SURFACE MOUNTED, METAL DOUBLE LOCKING, PG42, POWDER COATED, GREY H32B下壳, 表面安装, 彩锌双扣, PG42, 灰色粉末喷涂	PG42	-	-	
T1440322150-000	H32B-SGR-M50	H32B HOUSING, SURFACE MOUNTED, METAL DOUBLE LOCKING, M50, POWDER COATED, GREY H32B下壳, 表面安装, 彩锌双扣, M50, 灰色粉末喷涂	M50	-	-	
T1440322229-000	H32B-SGR-2PG29	H32B HOUSING, SURFACE MOUNTED, METAL DOUBLE LOCKING, 2PG29, POWDER COATED, GREY H32B下壳, 表面安装, 彩锌双扣, 2PG29, 灰色粉末喷涂	PG29	PG29	-	
T1440322232-000	H32B-SGR-2M32	H32B HOUSING, SURFACE MOUNTED, METAL DOUBLE LOCKING, 2M32, POWDER COATED, GREY H32B下壳, 表面安装, 彩锌双扣, 2M32, 灰色粉末喷涂	M32	M32	-	
T1440322236-000	H32B-SGR-2PG36	H32B HOUSING, SURFACE MOUNTED, METAL DOUBLE LOCKING, 2PG36, POWDER COATED, GREY H32B下壳, 表面安装, 彩锌双扣, 2PG36, 灰色粉末喷涂	PG36	PG36	-	
T1440322240-000	H32B-SGR-2M40	H32B HOUSING, SURFACE MOUNTED, METAL DOUBLE LOCKING, 2M40, POWDER COATED, GREY H32B下壳, 表面安装, 彩锌双扣, 2M40, 灰色粉末喷涂	M40	M40	-	
T1440322250-000	H32B-SGR-2M50	H32B HOUSING, SURFACE MOUNTED, METAL DOUBLE LOCKING, 2M50, POWDER COATED, GREY H32B下壳, 表面安装, 彩锌双扣, 2M50, 灰色粉末喷涂	M50	M50	-	
T1440322140-001	H32B-SGR-M40/M40	H32B HOUSING, SURFACE MOUNTED, METAL DOUBLE LOCKING, SIDE ENTRY M40, BOTTOM ENTRY M40, POWDER COATED, GREY H32B下壳, 表面安装, 彩锌双扣, 侧出M40, 底出M40, 灰色粉末喷涂	M40	-	M40	
PART NUMBER 料号	PART DESCRIPTION 描述			PG/M THREAD-1 螺纹孔-1	PG/M THREAD-2 螺纹孔-2	PG/M THREAD-3 螺纹孔-3



THIS DRAWING IS A CONTROLLED DOCUMENT.

DWN: DAVID LI 04JUN2015  
 CHK: CHRIS WANG 04JUN2015  
 APVD: XU XIANG 04JUN2015

TE Connectivity

NAME: H32B-SGR-PG/M

PRODUCT SPEC: 108-137013  
 APPLICATION SPEC: 114-137013

SIZE: A2 CAGE CODE: - DRAWING NO: T1440322XXX000 RESTRICTED TO: B

MATERIAL: - FINISH: - WEIGHT: -

CUSTOMER DRAWING SCALE: 1:2 SHEET: 1 OF 1 REV: B

单击下面可查看定价，库存，交付和生命周期等信息

[>>TE Connectivity\(泰科\)](#)