

THIS DRAWING IS UNPUBLISHED.

RELEASED FOR PUBLICATION

ALL RIGHTS RESERVED.

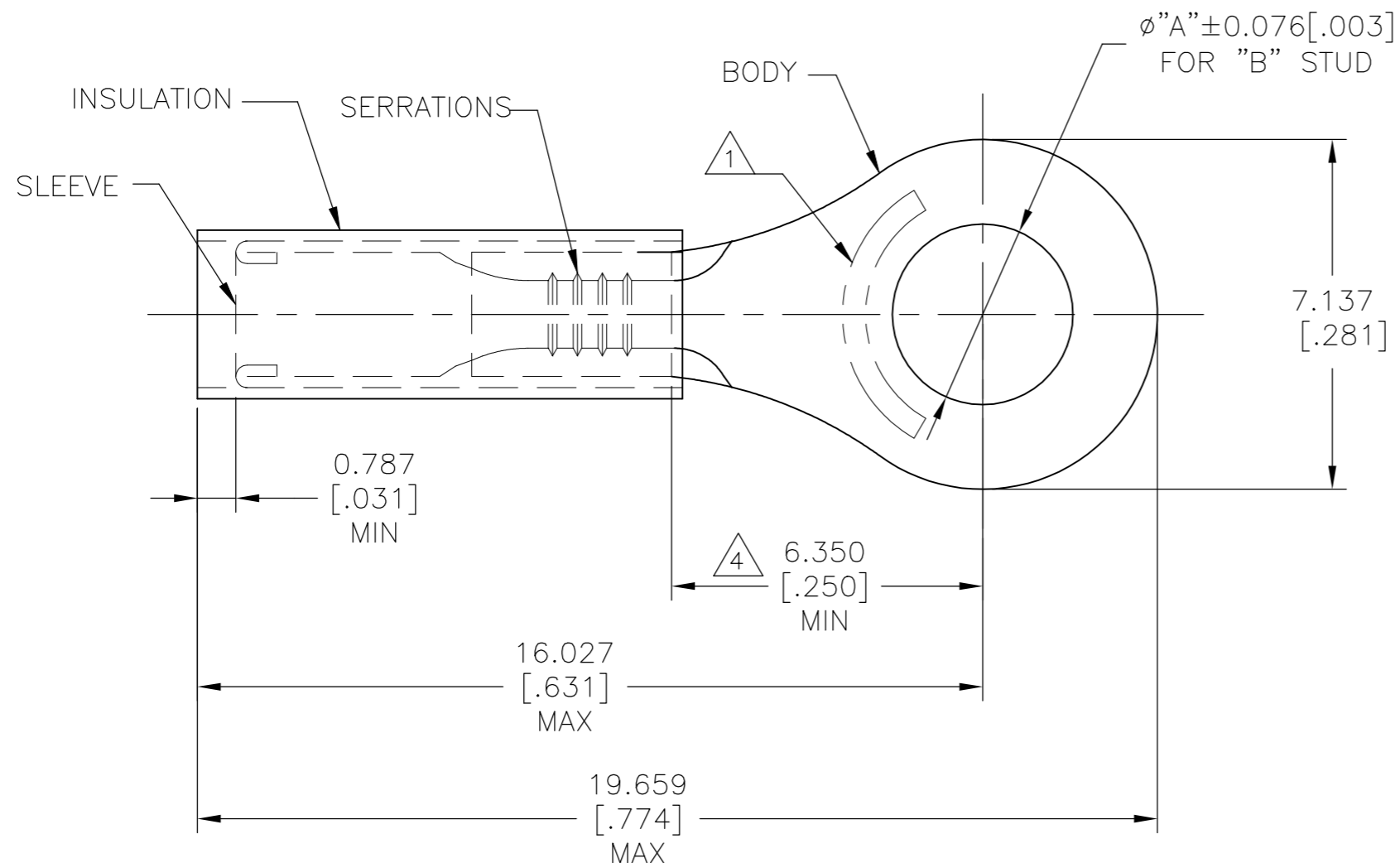
© COPYRIGHT - By -

REVISIONS

P	LTR	DESCRIPTION	DATE	DWN	APVD
	K7	REVISED PER ECO-15-016493	27NOV2015	NK	DR
	K8	REVISED PER ECO-17-016703	30MAR2018	RS	DR

AMP
WIRE RANGE

22-20 AWG
STRANDED



- 1 STAMP AMP 22-20 APPROX AS SHOWN
- 2 FOR 0.889[.035] TO 2.540[.100] WIRE INSULATION DIA
- 3 BODY MATERIAL THK: 0.584±0.051 [.023±.002]
- 4 DIMENSION APPLIES FROM EDGE OF METAL WIRE BARREL TO CENTER OF STUD HOLE.
- 5 BODY: MATERIAL - COPPER ASTM B152
FINISH - OVER NICKEL PLATE
SAE AMS QQ-N-290 0.0076 [.0003] AVG EXT. THK.
- 6 SLEEVE: MATERIAL - COPPER ASTM B152
FINISH - NICKEL PL.
SAE AMS QQ-N-290 0.00076 [.00003] AVG EXT. THK.
- 7 INSULATION:
MATERIAL - PTFE ASTM D3295
COLOR: GREEN
- 8 NOTE DELETED
- 9 NOTE DELETED
- 10 NOTE DELETED

7	M3.5 [#6]	3.683[.145]	1000	LOOSE PIECE	50831-1
7	#4	3.023[.119]	1000	LOOSE PIECE	50831
	"B"	"A"	QTY	PACKAGE TYPE	PART NO.

AMP INCORPORATED CUSTOMER SERVICE SYSTEMS		MAX RECOMMENDED OPERATING TEMPERATURE: 288°C [550°F]	THIS DRAWING IS A CONTROLLED DOCUMENT.		DWN JR RUTH 06AUG07	STE TE Connectivity Ltd.
FOR ADDITIONAL PRODUCT INFORMATION OR COPIES OF DRAWINGS AND TECHNICAL DOCUMENTS	PRODUCT INFORMATION CENTER 1-800-522-6752	VOLTAGE RATING: 300V MAX	DIMENSIONS: mm [INCHES]	TOLERANCES UNLESS OTHERWISE SPECIFIED:	CHK T MICHIELUTTI 06AUG07	
FOR APPLICATION TOOLING INFORMATION	TOOLING ASSISTANCE CENTER 1-800-722-1111	CIRCULAR MIL AREA: 0.26-0.65mm²[509-1,290] STRANDED WIRE ONLY		0 PLC ± - 1 PLC ± - 2 PLC ± - 3 PLC ± 0.127[.005] 4 PLC ± - ± 1° ANGLES	APVD T MICHIELUTTI 06AUG07	NAME TERMINAL, PIDG, STRATO-THERM, RING TONGUE. 22-20 AWG
FOR ORDER ENTRY	1-800-526-5142		MATERIAL 5 6 7	FINISH 5 6 7	PRODUCT SPEC - APPLICATION SPEC - WEIGHT	SIZE A3
					CUSTOMER DRAWING	RESTRICTED TO -
					SCALE 8:1	SHEET 1 OF 1
					REV K8	

单击下面可查看定价，库存，交付和生命周期等信息

[>>TE Connectivity\(泰科\)](#)