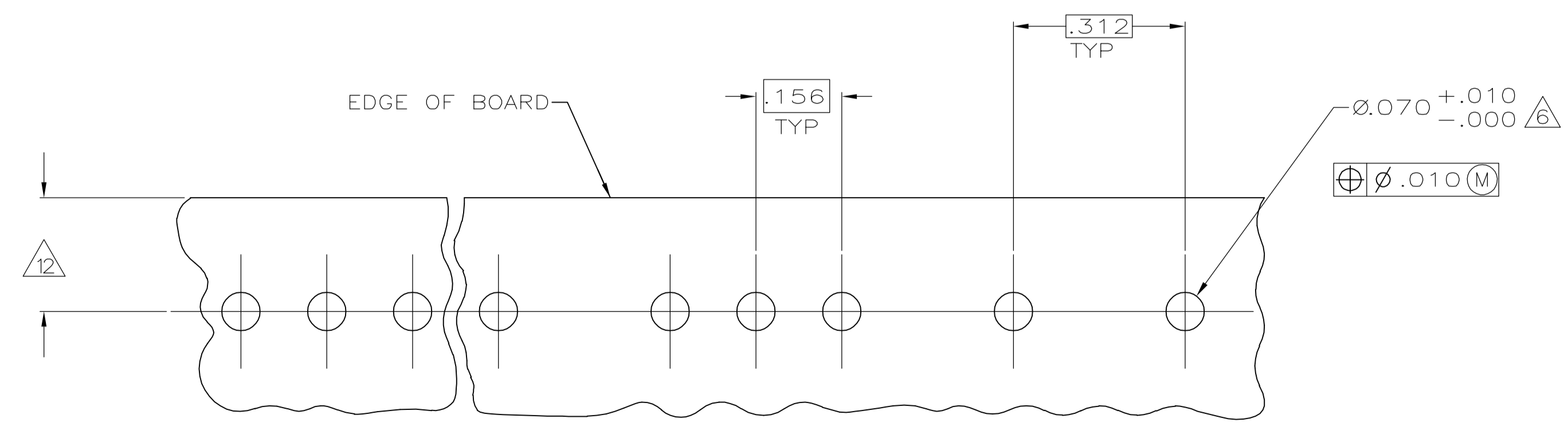


- 1 POST TO WITHSTAND 1.3 NEWTONS (3LBS.) MIN. AXIAL FORCE IN BOTH DIRECTIONS SHOWN WITHOUT DISLODGING.
- 2 TOLERANCES APPLY TO SOLDER SIDE OF BOARD.
- 3 MEASURED AT SURFACE -A-
- 4 PLASTIC FLASH PERMITTED IN THIS AREA.
- 5 PARTS COMPLY WITH AMP SOLDERABILITY SPEC. NO. 109-11-2.
- 6 ONE HOLE MAY BE UNDERSIZED (.065/.060 DIA.) FOR ASSEMBLY RETENTION DURING WAVE SOLDERING.
- 7 MATERIAL: HEADER-THERMOPLASTIC POLYESTER
GLASS-FILLED 94V-0(NATURAL)
POST-COPPER ALLOY (TIN PLATED)
- 8 COORDINATE DIMENSION APPLIES FROM CENTER OF ACTUAL FEATURE.
- 9 PLASTIC BURRS CAUSED BY CUT-OFF TOOLING ARE PERMITTED WITHIN THE MAXIMUM TOLERANCE ENVELOPE.
- 10 POST TO BE MEASURED WHEN STRIP IS HELD FLAT.
- 11 POST MUST WITHSTAND TWO 90° BENDS AGAINST EXTRUSION WITHOUT BREAKING.
- 12 DIMENSION SHOULD BE .140 MIN WHEN MATING WITH A MTA-156 CONNECTOR ASSEMBLY OR A SL-156 CONNECTOR ASSEMBLY.
- 13 PIN BURR OF .005 MAX. VERTICAL AND .003 MAX. HORIZONTAL PERMITTED AT POST TIPS ON BOTH ENDS.



RECOMMENDED MOUNTING HOLE PATTERN FOR .063 THICK P.C. BOARD

	IN	MM	IN	MM
.045	1.14	.700	17.78	
.030	0.76	.450	11.43	
.028	0.71	.312	7.92	
.018	0.46	.250	6.35	
.015	0.38	.156	3.96	
.012	0.30	.140	3.56	
.010	0.25	.125	3.18	
.008	0.20	.078	1.98	
.005	0.13	.070	1.78	
.003	0.08	.065	1.65	
.001	0.03	.063	1.60	
.000	0.00	.060	1.52	
IN	MM	IN	MM	

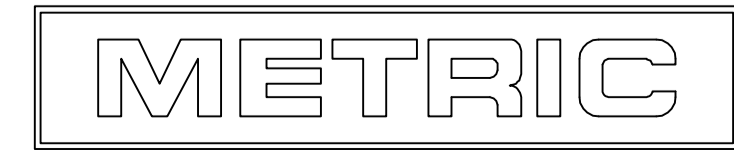
POST NO.(S) OMITTED	IN	MM	NUMBER OF POSITIONS	PART NUMBER
2,4,& 16	2.808	71.32	18	647289-3
8	2.808	71.32	18	647289-2
2,4,& 8	2.808	71.32	18	647289-1

THIS DRAWING IS A CONTROLLED DOCUMENT.

DIMENSIONS: INCHES	TOLERANCES UNLESS OTHERWISE SPECIFIED:	0 PLC ± -	1 PLC ± -	2 PLC ± -	3 PLC ± .005	4 PLC ± -	ANGLES ± -	FINISH
--------------------	--	-----------	-----------	-----------	--------------	-----------	------------	--------

MATERIAL: FINISH:

THIS DRAWING IS A CONTROLLED DOCUMENT. DWG: B. LEWIS 9-28-98. CHK: R. SWING 9-28-98. APVD: C. JONES 9-28-98. NAME: Tyco Electronics Corporation Harrisburg, PA 17105-3608. PRODUCT SPEC: MTA-156 HEADER ASSEMBLY, PLAIN, .045 SQUARE STRAIGHT POST, TIN-PLATED, 18 POSITION, OMITTED POST. APPLICATION SPEC: SIZE: A1. CASE CODE: 00779. DRAWING NO: 647289. WEIGHT: -. RESTRICTED TO: CUSTOMER DRAWING. SCALE: 5:1. SHEET: 1 OF 1. REV: C.



单击下面可查看定价，库存，交付和生命周期等信息

[>>TE Connectivity\(泰科\)](#)