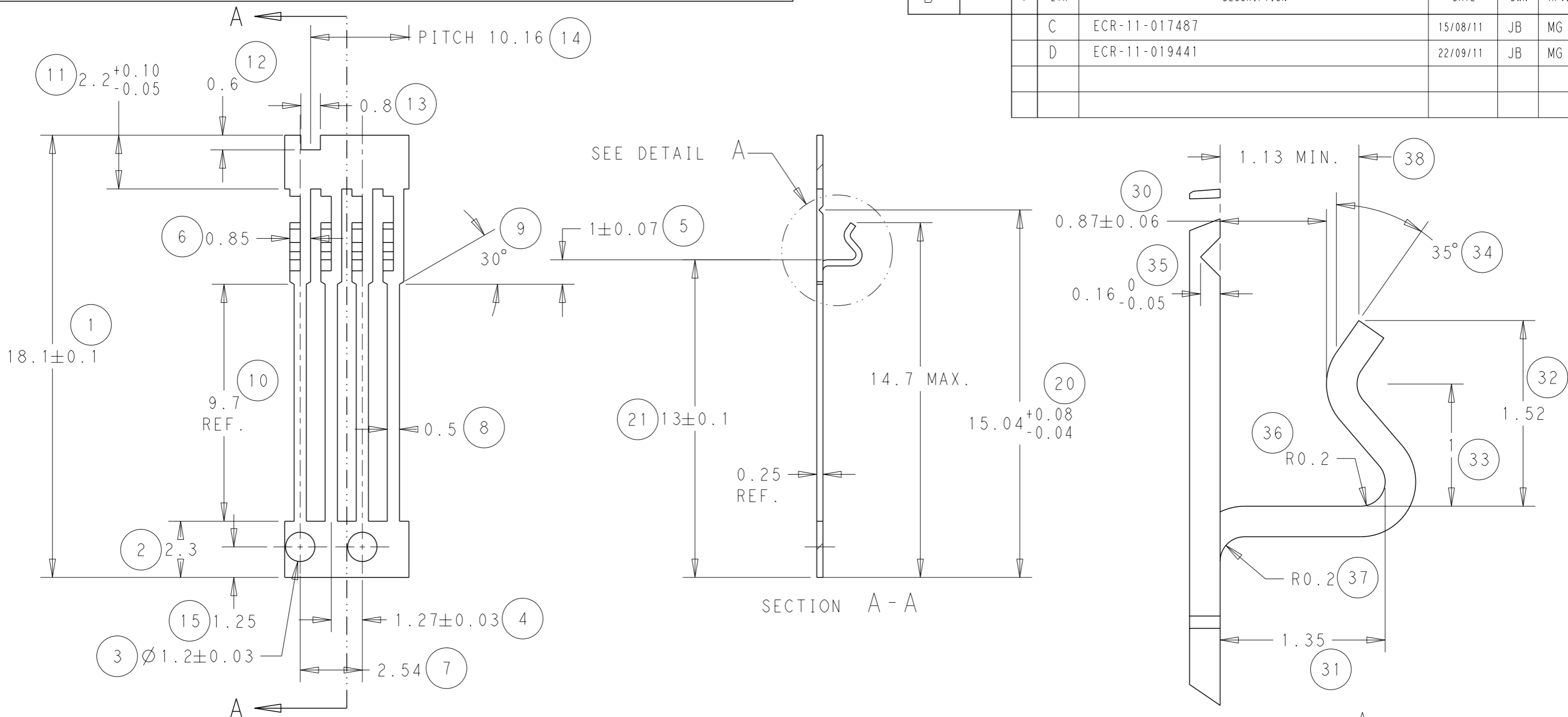
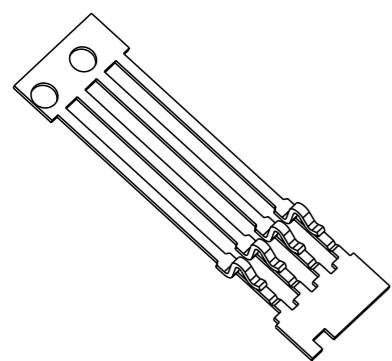


LOC	DIST	REVISIONS				
P	LTR	DESCRIPTION	DATE	DWN	APVD	
B	-	C	ECR-11-017487	15/08/11	JB	MG
		D	ECR-11-019441	22/09/11	JB	MG

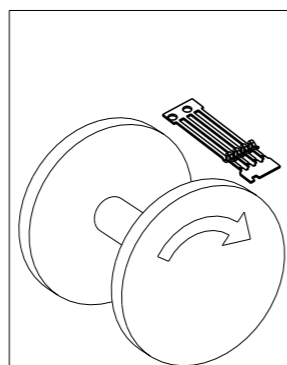


DETAIL A
SCALE 30:1

NOTE
 BOWING: AFTER UPPER TIE BAR REMOVAL - 1.5mm MAX. FOR 500mm
 PITCH: AFTER UPPER TIE BAR REMOVAL - 1.27±0.1



SCALE 3:1

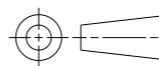


DIRECTION OF
TOP OF REEL

DIRECTION "0"
 CONTACTS
 DOWN
 DIRECTION "1"
 CONTACTS
 UPWARDS
 DIRECTION

THIS DRAWING IS A CONTROLLED DOCUMENT.

DIMENSIONS:
mm



TOLERANCES UNLESS OTHERWISE SPECIFIED:
 0 PLC ±-
 1 PLC ±-
 2 PLC ±0.05
 3 PLC ±-
 4 PLC ±-
 ANGLES ±0.5
 FINISH -

MATERIAL SEE ABOVE.

DWN J. BRIGHT 15/08/11
 CHK M. GREENER 15/08/11
 APVD D. PENNINGTON 15/08/11
 PRODUCT SPEC
 APPLICATION SPEC
 WEIGHT -

0	Ni & Sn	0-1544400-1
REELING	FINISH	PART NUMBER



NAME SIL CONTACT			
SIZE A3	CAGE CODE 00779	DRAWING NO C-1544400	RESTRICTED TO -

CUSTOMER DRAWING SCALE NTS SHEET 1 OF 1 REV D

单击下面可查看定价，库存，交付和生命周期等信息

[>>TE Connectivity\(泰科\)](#)