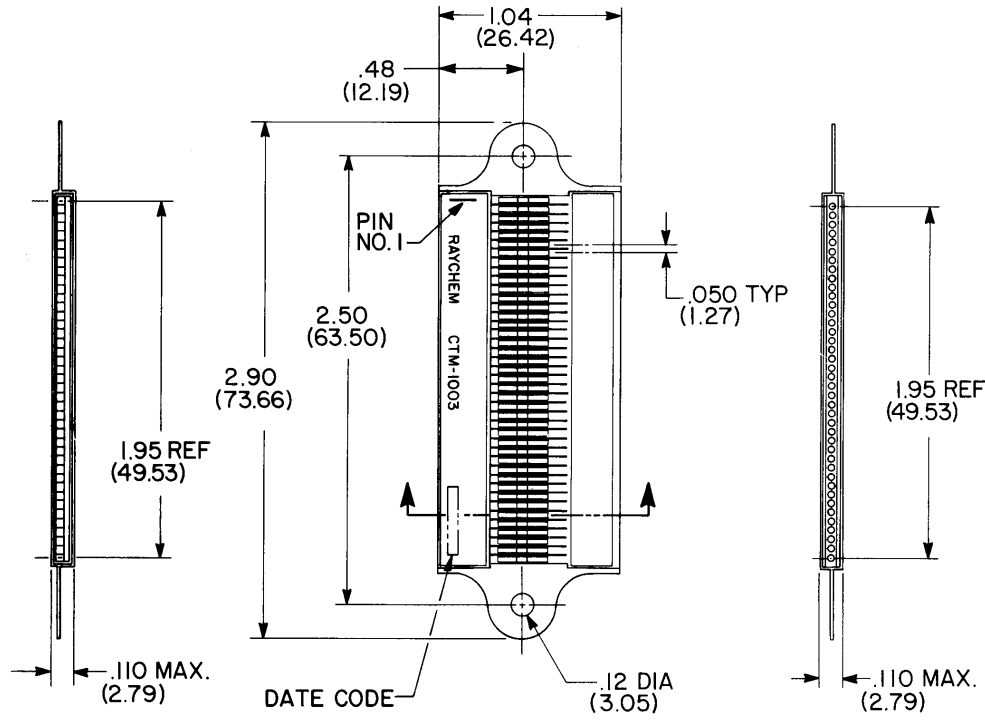


REVISIONS			
LTR	DESCRIPTION	DATE	APPROVED
B	REVISED PER EGN	T 1660	

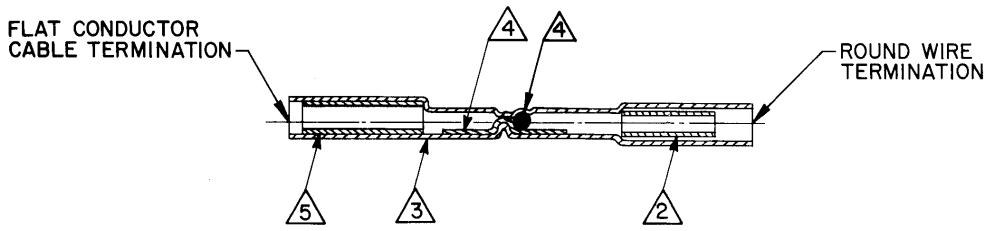


NOTES:

1. THIS CTM MEETS THE REQUIREMENTS OF RAYCHEM SPECIFICATION C-6116.
2. ROUND WIRE SEAL: MODIFIED THERMOPLASTIC SEALANT
3. MODULE BODY: TRANSPARENT BLUE HEAT SHRINKABLE RADIATION CROSS LINKED PVF₂.
4. CONTACT STRIP: COPPER ALLOY I72 PER QQ-C-533 SOLDER COATED/BALL PER QQ-C-533, Sn63 OR Sn60 FLUX COATED PER QQ-S-571, TYPE RMA
5. FLAT CABLE SEAL: MODIFIED THERMOPLASTIC SEALANT
6. USABLE WIRE SIZE: ROUND WIRE: 26 AWG, .035 DIA. MAX. FLAT CONDUCTOR CABLE: 28 GAGE
7. CONSULT FACTORY FOR RAYCHEM ENGINEERING STANDARD FOR TERMINATION METHOD.
8. DIELECTRIC WITHSTANDING VOLTAGE:

TEST CONDITION	TEST VOLTAGE VAC RMS AT 60Hz
SEA LEVEL	750
ALTITUDE 70,000 FT (33.5 TORR) AMBIENT TEMP	250
ALTITUDE 80,000 FT (20.6 TORR) -50 °C TEMP	375

9. CURRENT RATING: 1.5 AMPS



SPECIFICATION CONTROL DRAWING © Raychem Corporation 1983

DRAWN	Welch	11/20/83	Raychem RAYCHEM CORPORATION 300 CONSTITUTION DRIVE MENLO PARK, CALIFORNIA 94025		
CHECKED		11/21/83			
APPROVED			TITLE CABLE TRANSITION MODULE (CTM) FLAT TO ROUND TERMINATION, 40 CONDUCTOR, 2-INCH WITH EARS, .050 PITCH, ENVIRONMENT RESISTANT, 125 °C MAX. OPERATING TEMPERATURE		
APPROVED					
UNLESS OTHERWISE SPECIFIED DIMENSIONS ARE IN INCHES METRIC DIMENSIONS ARE IN PARENTHESIS .XXX = ±.005(0.1) .XX = ±.02(0.5)			SIZE	CODE IDENT. NO.	DWG NO.
DO NOT SCALE THIS DRAWING			C	06090	CTM-1003
			WEIGHT	SHEET OF	

If this document is printed it becomes uncontrolled. Check with the web for latest revision.

单击下面可查看定价，库存，交付和生命周期等信息

[>>TE Connectivity\(泰科\)](#)