

4

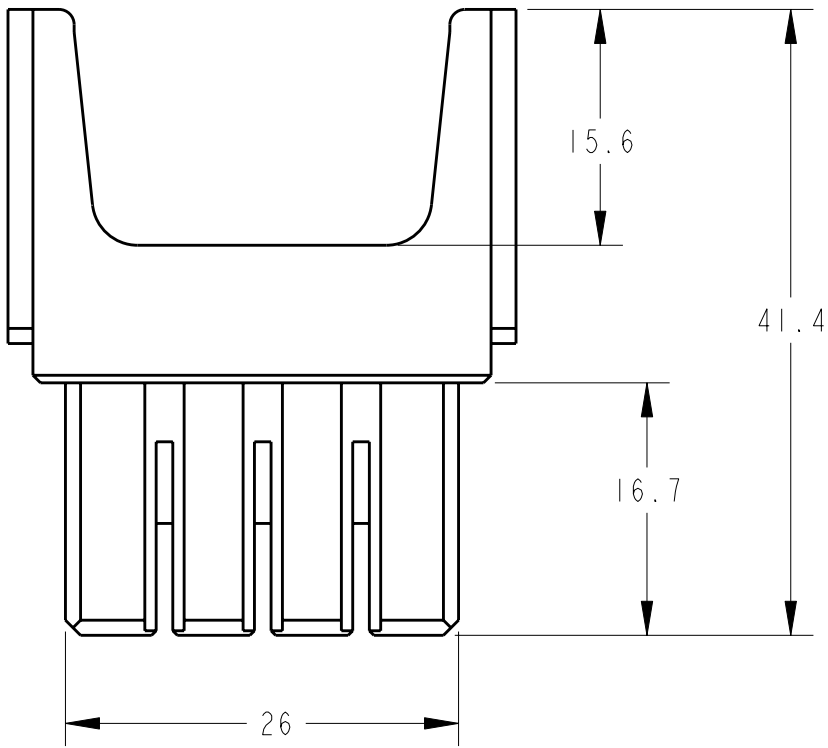
3

2

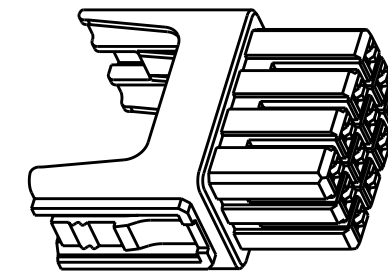
1

THIS DRAWING IS UNPUBLISHED. RELEASED FOR PUBLICATION 2005
© COPYRIGHT 2005 BY TYCO ELECTRONICS CORPORATION. ALL INTERNATIONAL RIGHTS RESERVED.

LOC	DIST	REVISIONS 変更			
P	LTR	DESCRIPTION	DATE	DWN	APVD
		C	REVISED PER ECR-10-017569	25AUG2010	HMR T.M

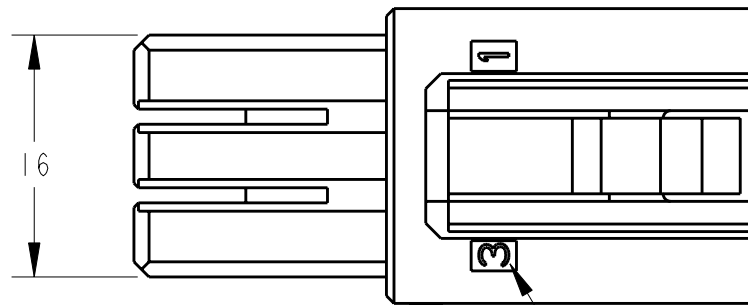
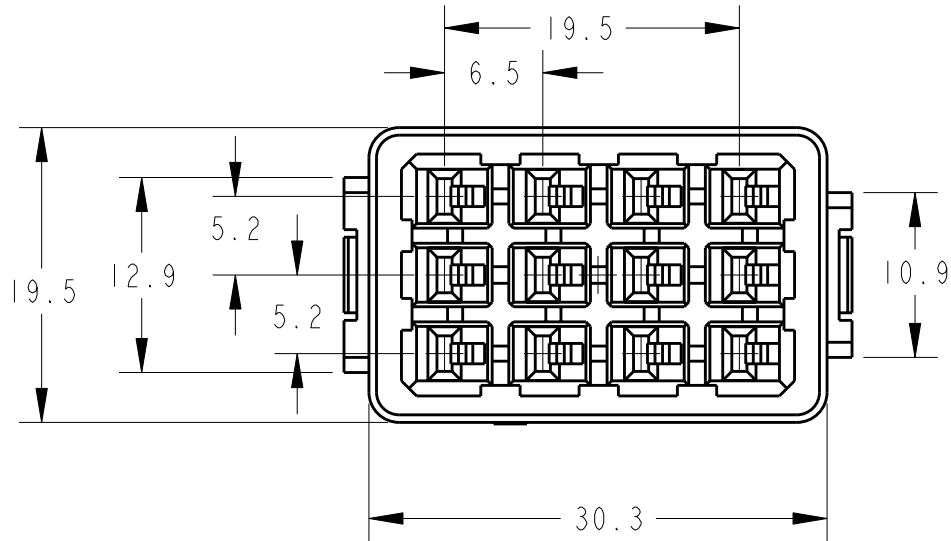


1747363-1:AS SHOWN

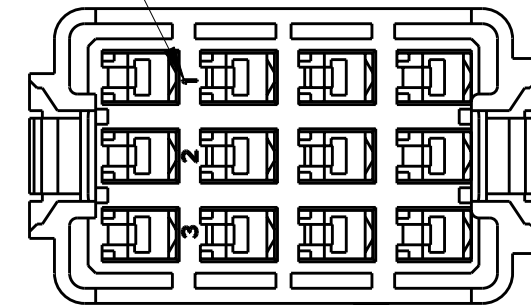


スケール 1:1

CIRKIT NO
回路番号

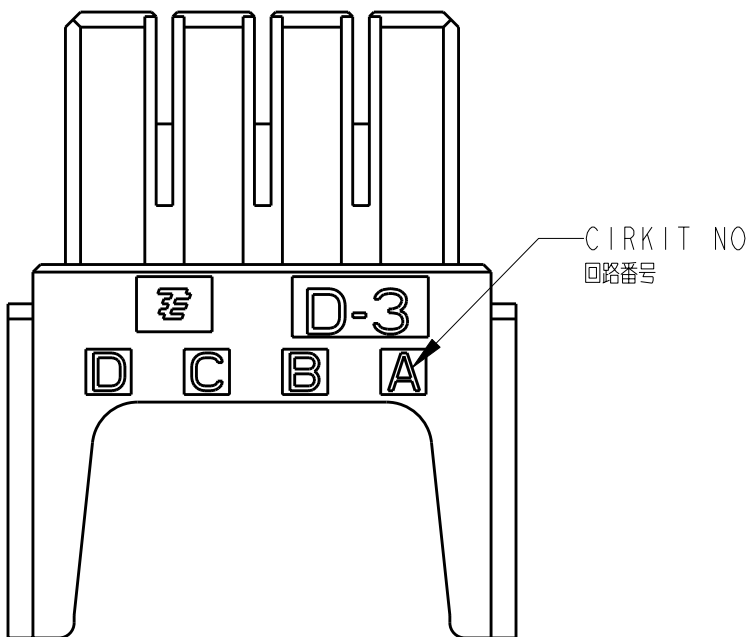


CIRKIT NO
回路番号



1. 材料: ガラス入り熱可塑性ポリエステル樹脂
色: 黒色
2. HTSコネクターモジュール固定フレーム使用型番
サイズ"3: 0-1108784-1
サイズ"4: 0-1108783-1, 0-1108783-2
サイズ"6: 0-1108782-1, 0-1108782-2
サイズ"8: 0-1108780-1, 0-1108780-2

1. MATERIAL: GLASS FIELD THERMO PLASTIC, POLYESTER
COLOR: BLACK
2. HTS CONNECTOR MODULE FIXATION FRAME USE P/No
SIZE3: 0-1108784-1
SIZE4: 0-1108783-1, 0-1108783-2
SIZE6: 0-1108782-1, 0-1108782-2
SIZE8: 0-1108780-1, 0-1108780-2



CIRKIT NO
回路番号

THIS DRAWING IS A CONTROLLED DOCUMENT FOR TYCO ELECTRONICS CORPORATION
IT IS SUBJECT TO CHANGE AND THE CONTROLLING ENGINEERING ORGANIZATION
SHOULD BE CONTACTED FOR THE LATEST REVISION.

DIMENSIONS: 単位: 耗 mm	TOLERANCES UNLESS OTHERWISE SPECIFIED: 一般公差 0-PLC ± 1-PLC ± ±0.35 2-PLC ± ±3° 3-PLC ± 4-PLC ± ANGLES ±	DWN 31AUG2005 T. SAKAMOTO CHK 31AUG2005 D. MITSUGI APVD 31AUG2005 D. MITSUGI PRODUCT SPEC 製品規格 108-78285 APPLICATION SPEC 取付適用規格 114-5148 WEIGHT	NAME 名称 Tyco Electronics Tyco Electronics Corporation Kawasaki, Japan
MATERIAL 材料 注記参照 SEE NOTES	FINISH 仕上	CUSTOMER DRAWING	RESTRICTED TO

DYNAMIC D-3800SERIES WITH HTS CONNECTOR		SIZE A3	CAGE CODE 00779	DRAWING NO 番号 C-1747363	RESTRICTED TO
SCALE 尺度 2:1	SHEET 1	OF 1	REV C		

单击下面可查看定价，库存，交付和生命周期等信息

[>>TE Connectivity\(泰科\)](#)