

4

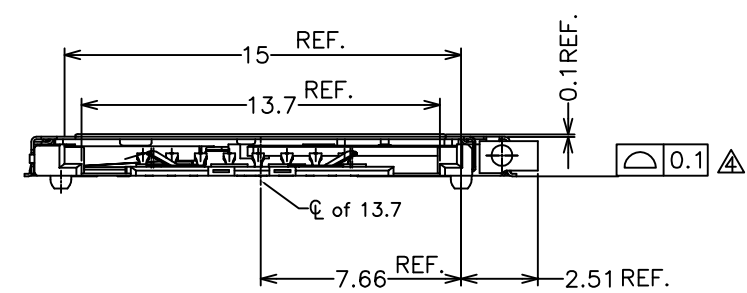
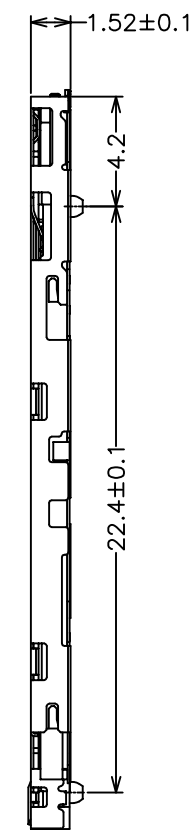
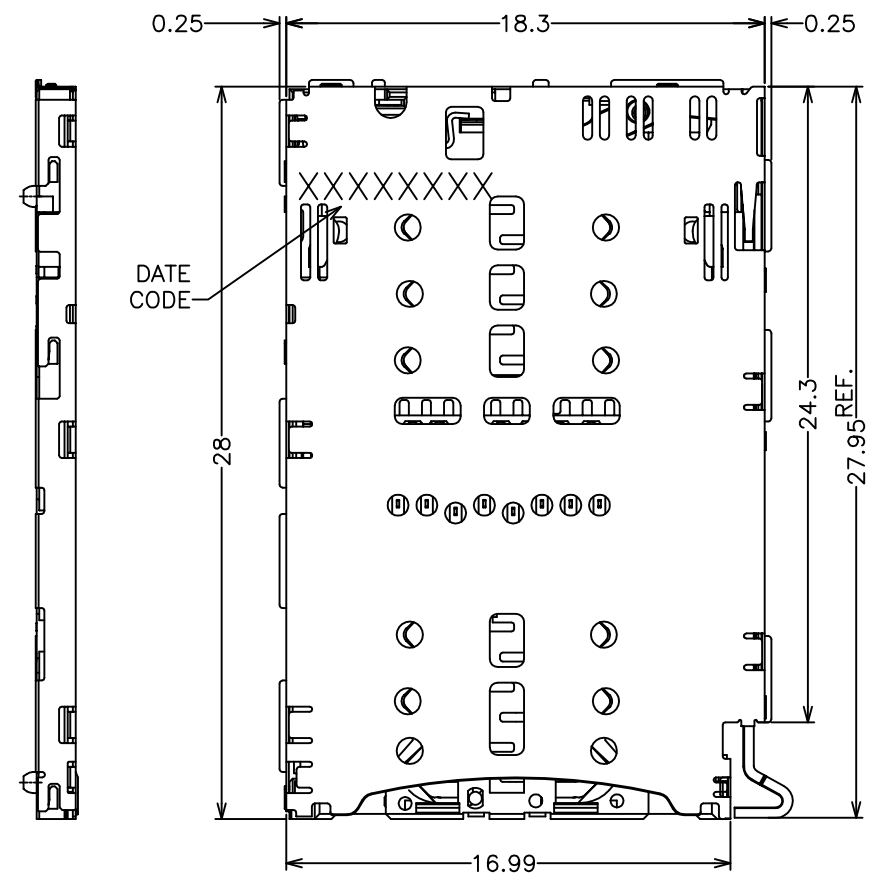
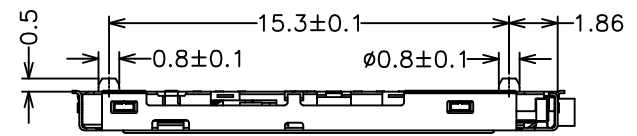
3

2

1

THIS DRAWING IS UNPUBLISHED. RELEASED FOR PUBLICATION
 © COPYRIGHT - By - ALL RIGHTS RESERVED. TODOS LOS DERECHOS RESERVADOS.

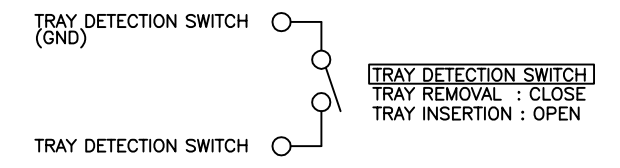
LOC	DIST	REVISIONS					
J	-	P	LTR	DESCRIPTION	DATE	DWN	APVD
		A	RELEASED	GC	31AUG2017	R.Z	S.L



- 1 MATERIAL:
 HOUSING: HIGH TEMPERATURE THERMAL PLASTIC UL94V-0
 CONTACT : COPPER ALLOY
 SWITCH CONTACT : COPPER ALLOY
 SHELL : STAINLESS STEEL
 LATCH : STAINLESS STEEL
 LATCH MOLD : HIGH TEMPERATURE THERMAL PLASTIC UL94V-0
 SLIDER : STAINLESS STEEL
 CAM : STAINLESS STEEL

- △ FINISH:
 CONTACT : Ni UNDER PLATING
 SOLDERING AREA : Au PLATING
 CONTACT AREA : Au PLATING
 SWITCH CONTACT : Ni UNDER PLATING
 SOLDERING AREA : Au PLATING
 CONTACT AREA : Au PLATING
 SHELL : Ni UNDER PLATING
 SOLDERING AREA : Au PLATING

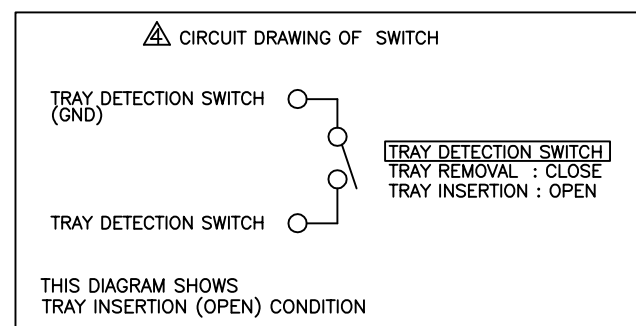
- △ CAM, SLIDER MOVING AREA.
- △ COPLANARITY: 0.10MAX.
- △ CIRCUIT DRAWING OF SWITCH.



THIS DIAGRAM SHOWS TRAY INSERTION (OPEN) CONDITION

- △ REFERENTIAL STENCIL DESIGN.
 THICKNESS:0.1mm
 OPENING RATIO: REFER TO SHEET 2
 150%(BOTH SIDE GND PADS)
 100%(OTHER PADS)

THIS PRINT IS PRELIMINARY
 UNQUALIFIED PRODUCT CONTACT PRODUCT ENGINEERING BEFORE USING THIS PRINT



THIS DIAGRAM SHOWS TRAY INSERTION (OPEN) CONDITION

△	2295782-1
FINISH	PART NUMBER

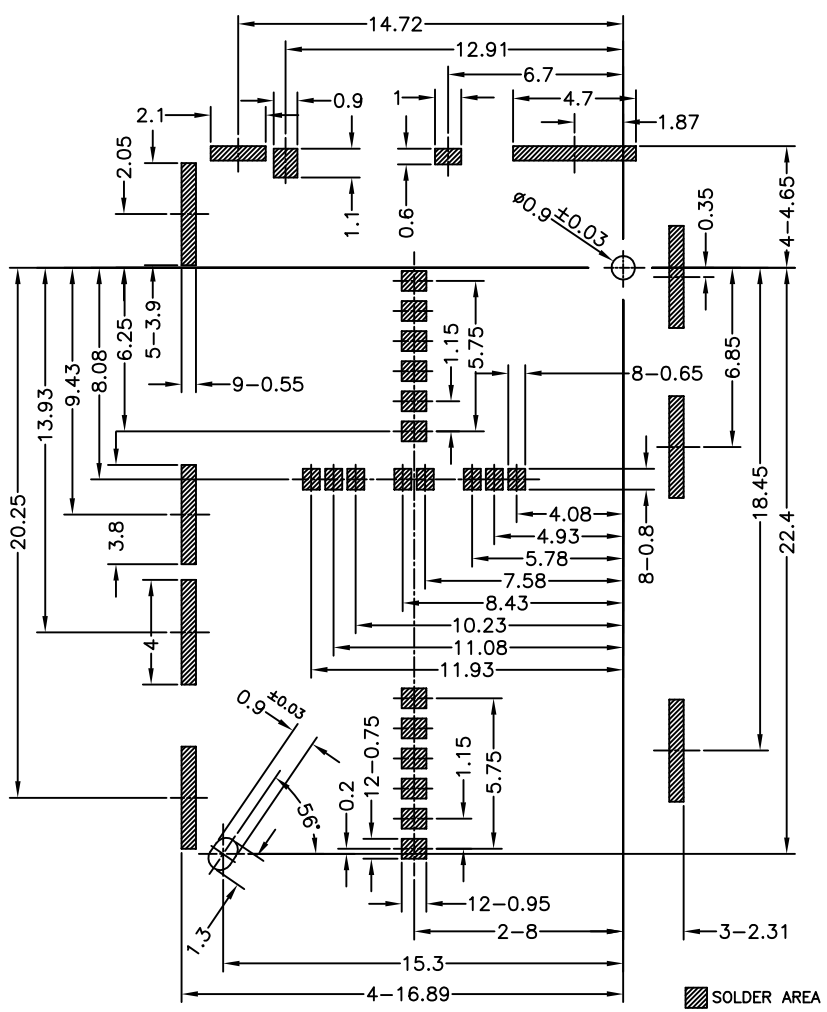
THIS DRAWING IS A CONTROLLED DOCUMENT.		DWN	8SEP2015	 TE Connectivity					
		CHK	8SEP2015						
		APVD	8SEP2015						
		PRODUCT SPEC							
DIMENSIONS: mm TOLERANCES UNLESS OTHERWISE SPECIFIED: 0 PLC 1 PLC ± 0.15 2 PLC ± 0.1 3 PLC ± 0.1 4 PLC ± - ANGLES ± -		NAME COREL WANG APPLICATION SPEC		PIN PUSH TRAY TYPE CONNECTOR 3 IN 2 FOR 4FF AND MCIRO SD CARD					
MATERIAL △ FINISH △		WEIGHT RESTRICTED CUSTOMER							
		SIZE	A2	CAGE CODE	00779	DRAWING NO	C=2295782	RESTRICTED TO	-
		SCALE	5:1	SHEET	1 of 4	REV	A		

- 1:AS SHOWN

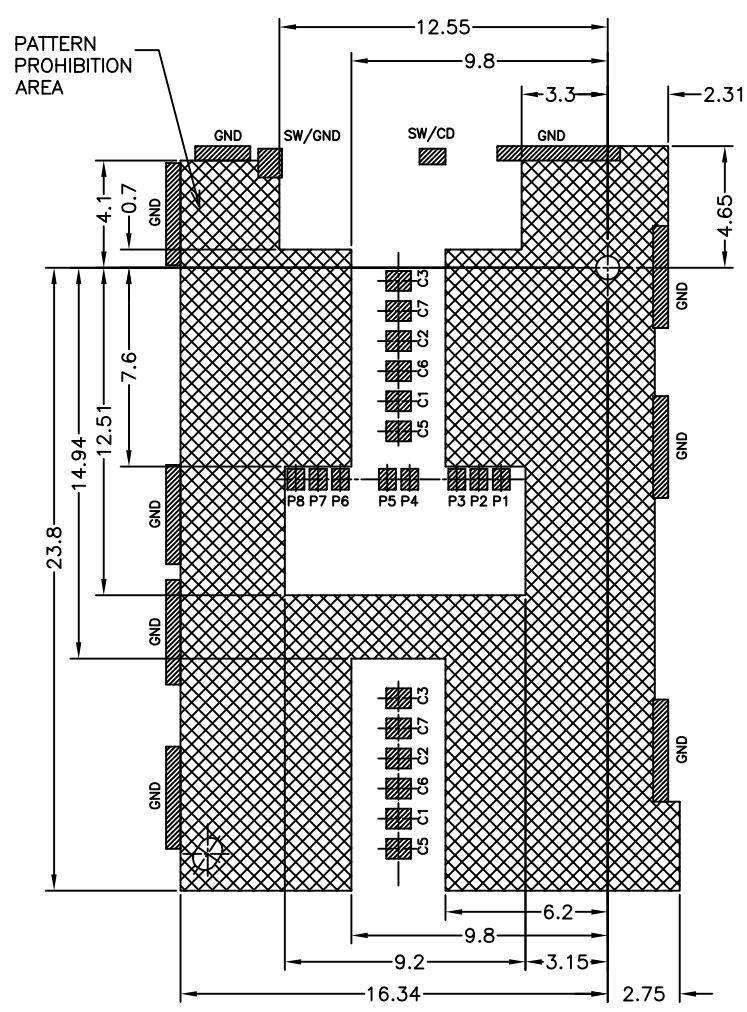
2295782

B

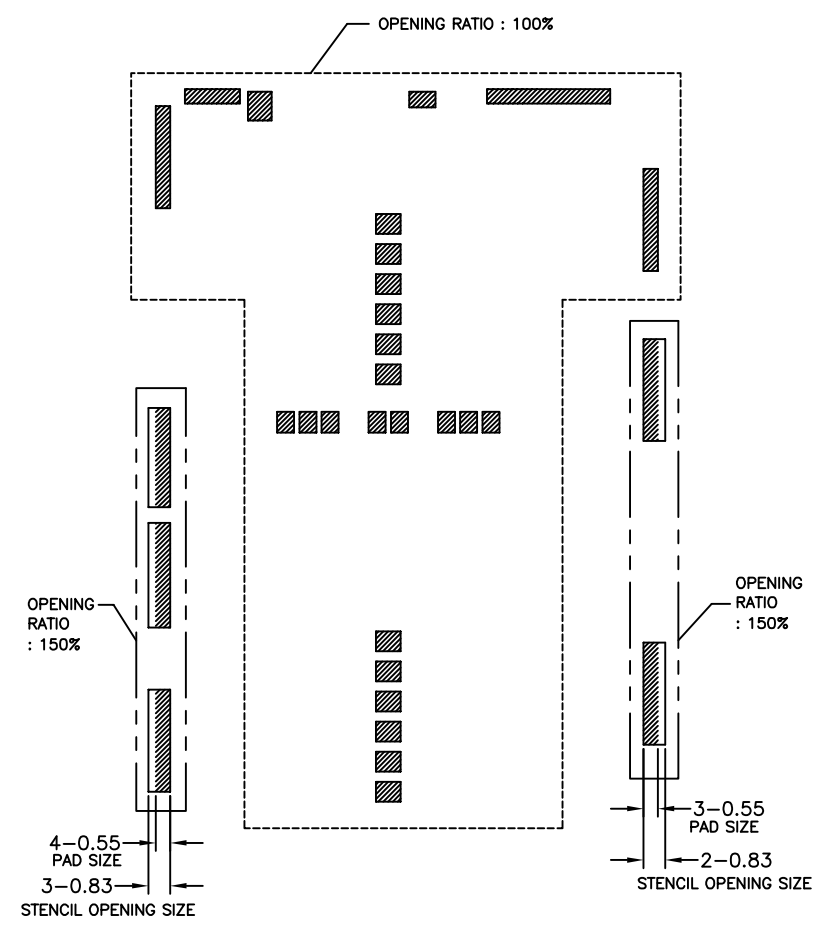
A



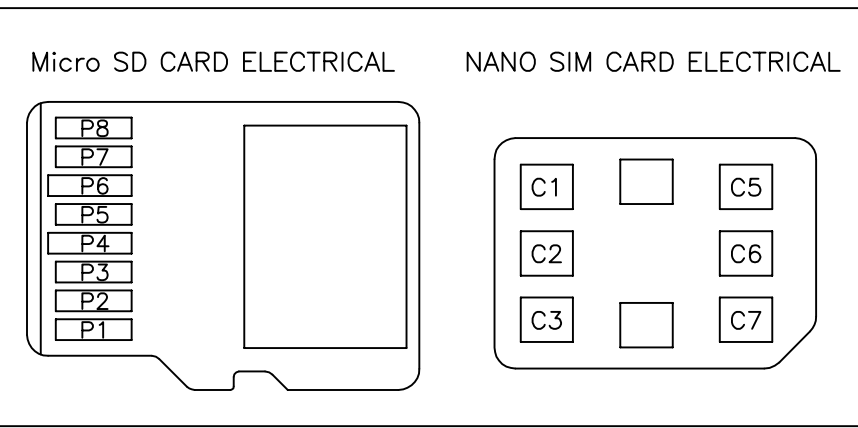
REFERENCE PCB LAYOUT (TOLERANCE : +/-0.05)
FROM MOUNTING SURFACE



REFERENCE PCB LAYOUT (TOLERANCE : +/-0.05)
FROM MOUNTING SURFACE
 [X] PATTERN PROHIBITION AREA



REFERENTIAL STENCIL DESIGN
 [Hatched] PAD AREA
 [White] STENCIL OPENING AREA



CONNECTOR PIN ASSIGNMENT

ITEM	FUNCTION
Micro SD CARD	
P1	DAT2 OF MSD
P2	CD/DAT3 OF MSD
P3	CMD OF MSD
P4	VDD OF MSD
P5	CLK OF MSD
P6	VSS OF MSD
P7	DAT0 OF MSD
P8	DAT1 OF MSD
SW	TRAY DETECTION SW
S	SHELL GND
NANO SIM CARD	
C1	VCC OF SIM
C2	RST OF SIM
C3	CLK OF SIM
C5	GND OF SIM
C6	VPP OF SIM
C7	DATA OF SIM

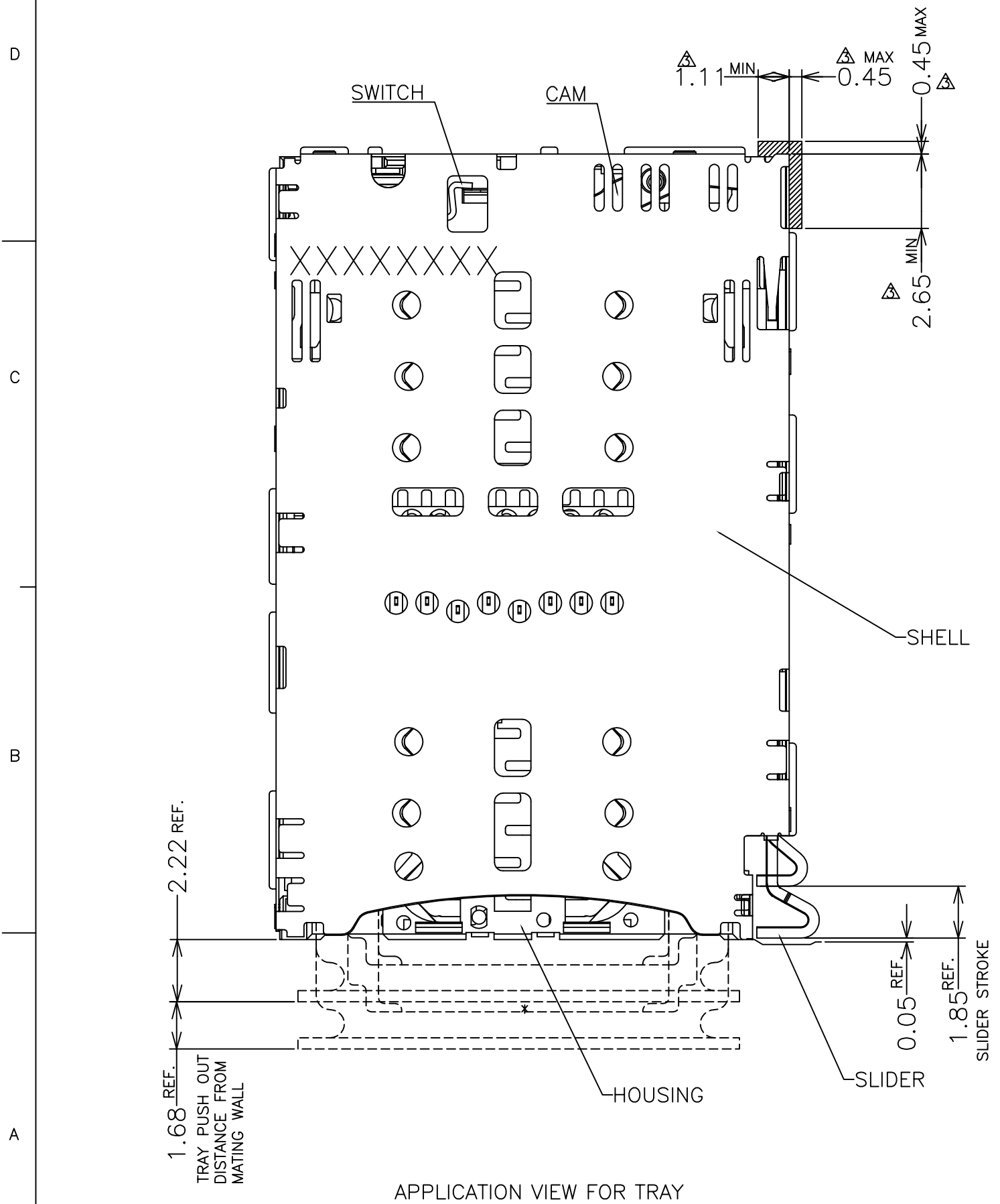
CARD PIN ASSIGNMENT

ITEM	FUNCTION
Micro SD CARD	
P1	DAT2 OF MSD
P2	CD/DAT3 OF MSD
P3	CMD OF MSD
P4	VDD OF MSD
P5	CLK OF MSD
P6	VSS OF MSD
P7	DAT0 OF MSD
P8	DAT1 OF MSD
NANO SIM CARD	
C1	VCC OF SIM
C2	RST OF SIM
C3	CLK OF SIM
C5	GND OF SIM
C6	VPP OF SIM
C7	DATA OF SIM

THIS DRAWING IS A CONTROLLED DOCUMENT.

DIMENSIONS: mm	TOLERANCES UNLESS OTHERWISE SPECIFIED: 0 PLG ± 1 PLG ± 2 PLG ± 3 PLG ± 4 PLG ± ANGLES ±	DWN	CHK	APVD	PRODUCT SPEC	APPLICATION SPEC	WEIGHT	RESTRICTED CUSTOMER
				NAME: PIN PUSH TRAY TYPE CONNECTOR 3 IN 2 FOR 4FF AND MICRO SD CARD				
SIZE: A2		CAGE CODE: 00779		DRAWING NO: C-2295782		RESTRICTED TO:		
SCALE: 8:1				SHEET: 2 of 4		REV: A		

LOC	DIST	REVISIONS			DATE	DWN	APVD
J	-	P	LTR	DESCRIPTION			
		-		SEE SHEET 1			



APPLICATION VIEW FOR TRAY

THIS DRAWING IS A CONTROLLED DOCUMENT.		DWN	STE TE Connectivity	
DIMENSIONS: mm		CHK		
TOLERANCES UNLESS OTHERWISE SPECIFIED:		APVD	NAME	
0 PLC ±		PRODUCT SPEC	PIN PUSH TRAY TYPE CONNECTOR	
1 PLC ±		APPLICATION SPEC	3 IN 2 FOR 4FF AND MICRO SD CARD	
2 PLC ±		WEIGHT	SIZE	CAGE CODE
3 PLC ±		RESTRICTED CUSTOMER	A2	00779
4 PLC ±		SCALE	DRAWING NO	
ANGLES ±		8:1	C-2295782	
FINISH ±		SHEET	RESTRICTED TO	
		3 of 4		
		REV	A	

4

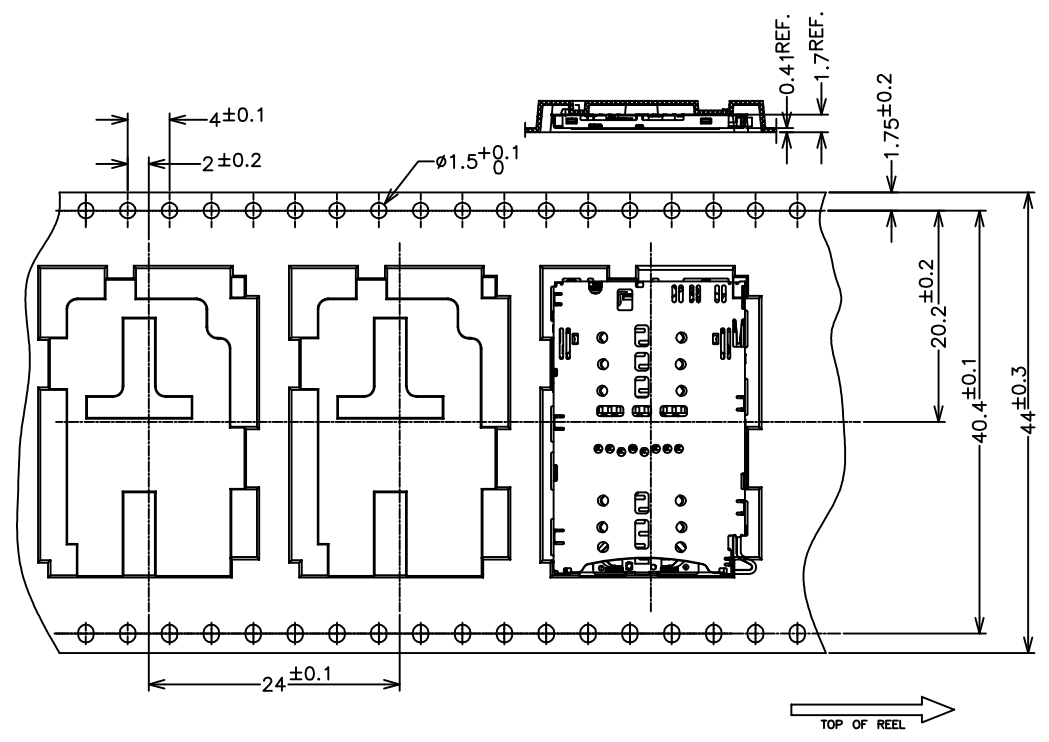
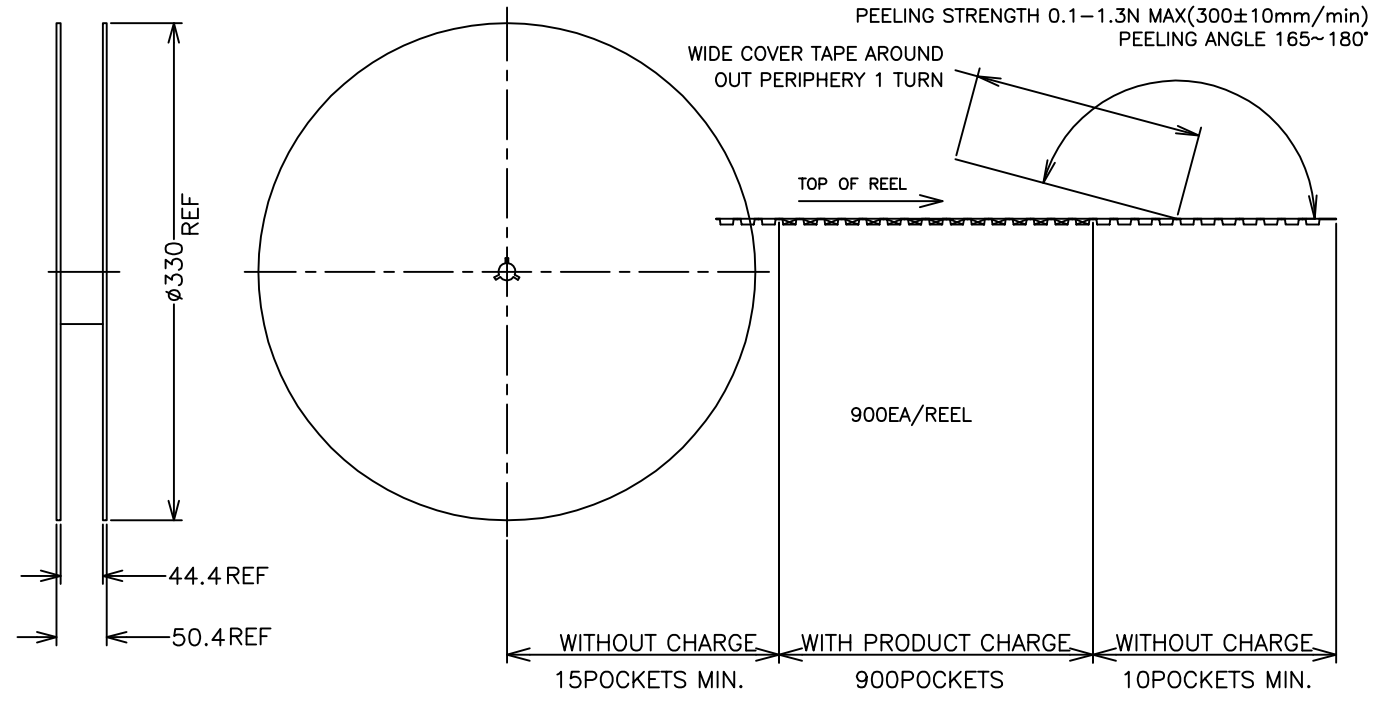
3

2

1

THIS DRAWING IS UNPUBLISHED. RELEASED FOR PUBLICATION
 © COPYRIGHT - By - ALL RIGHTS RESERVED. TODOS LOS DERECHOS RESERVADOS.

LOC	DIST	REVISIONS			DATE	DWN	APVD
J	-	P	LTR	DESCRIPTION			
		-		SEE SHEET 1	-	-	-



THIS DRAWING IS A CONTROLLED DOCUMENT.		DWN	STE TE Connectivity	
DIMENSIONS: mm		CHK		
TOLERANCES UNLESS OTHERWISE SPECIFIED:		APVD	NAME	
0 PLC	±	PRODUCT SPEC	PIN PUSH TRAY TYPE CONNECTOR	
1 PLC	±	APPLICATION SPEC	3 IN 2 FOR 4FF AND MICRO SD CARD	
2 PLC	±	WEIGHT	SIZE	CAGE CODE
3 PLC	±	RESTRICTED CUSTOMER	A2	00779
4 PLC	±	SCALE	DRAWING NO	RESTRICTED TO
ANGLES	± -	SHEET	C-2295782	4 of 4
FINISH		REV		A

2295782

单击下面可查看定价，库存，交付和生命周期等信息

[>>TE Connectivity\(泰科\)](#)