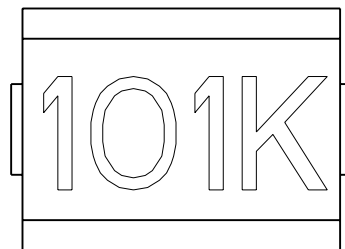
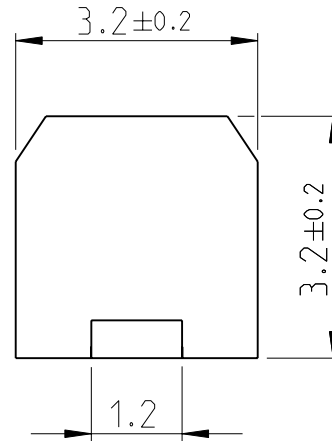
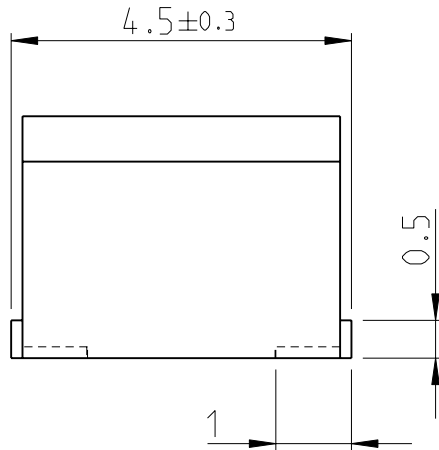
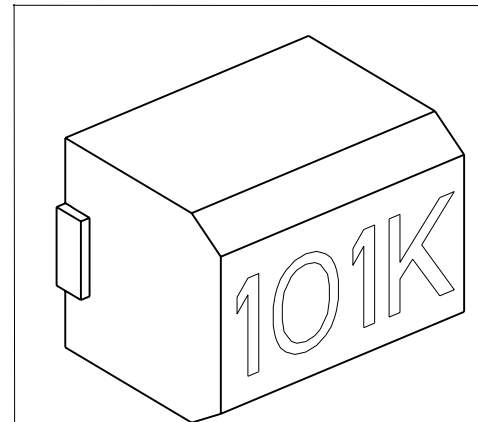


LOC	DIST	REVISIONS					
		P	LTR	DESCRIPTION	DATE	DWN	APVD
E	B		BB1	REVISED PER ECO-11-005150	29MAR2011	RK	HMR

1. FOR FURTHER INFORMATION SEE DATA SHEET FOR 3613C SERIES-MOULDED CHIP INDUCTOR 18:12
2. FROM SEPTEMBER 2010 MARKING CHANGED TO LASER CARVED BLACK FROM WHITE INK TO IMPROVE EFFICIENCY AND PRODUCTION TIME.



RoHS Compliant



2008  
 RELEASED FOR PUBLICATION  
 ALL RIGHTS RESERVED.  
 BY -  
 COPYRIGHT 2008

DIMENSIONS: mm	DWN	13-NOV-08	MATERIAL	-	FINISH	-
	CHK	13-NOV-08	TE Connectivity			
TOLERANCES UNLESS OTHERWISE SPECIFIED:	APVD	13-NOV-08				
	0 PLC ±0.2	PRODUCT SPEC	SIZE	CAGE CODE	DRAWING NO	RESTRICTED TO
1 PLC ±0.1	-	A 4	00779	© = 1624094	-	
2 PLC ±	APPLICATION SPEC	CUSTOMER DRAWING				SCALE 10:1
3 PLC ±-	-	SCALE 10:1				SHEET 1 OF 1
4 PLC ±-	WEIGHT	-				REV BB1
ANGLES ±5°						

单击下面可查看定价，库存，交付和生命周期等信息

[>>TE Connectivity\(泰科\)](#)