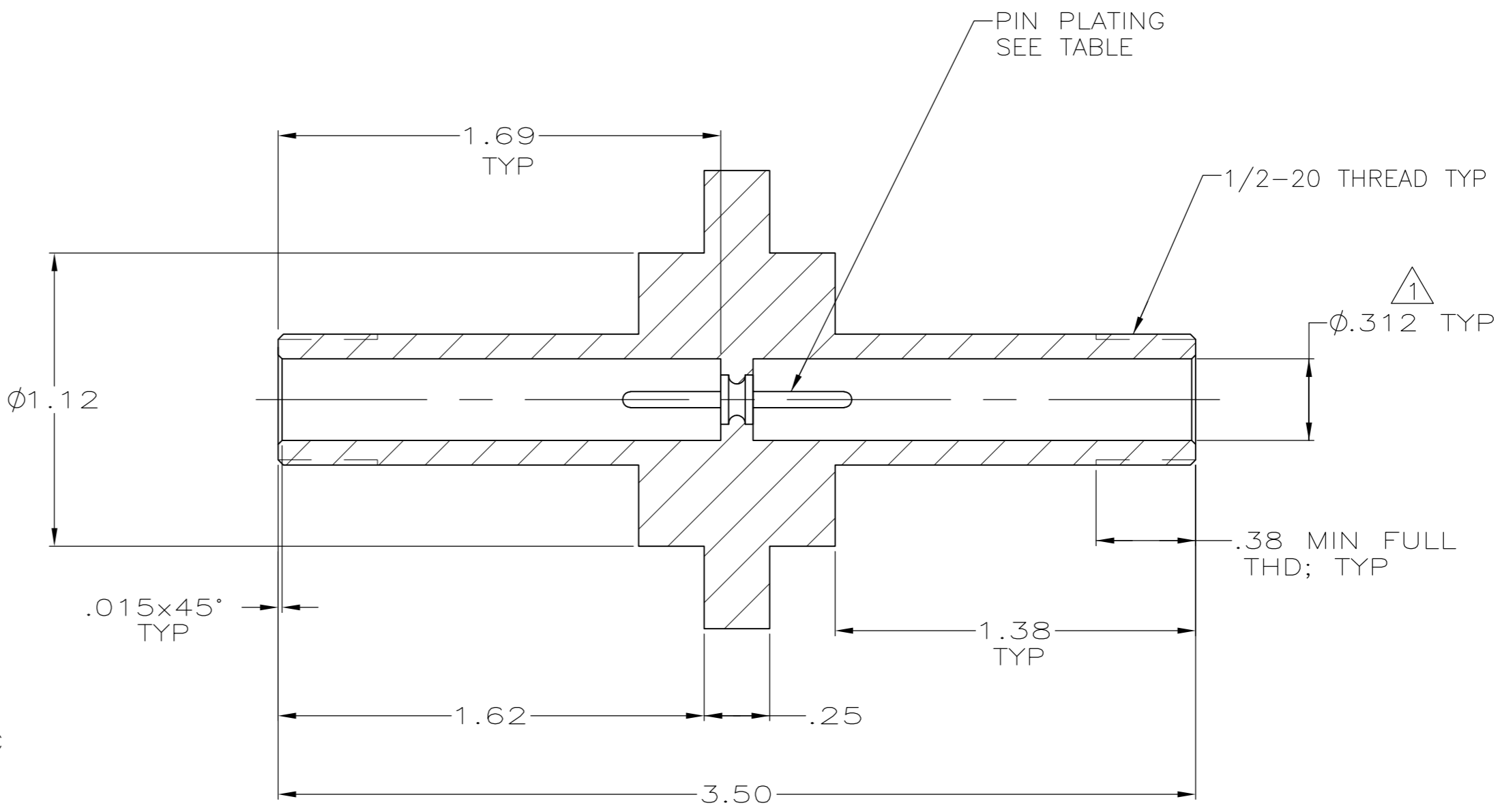
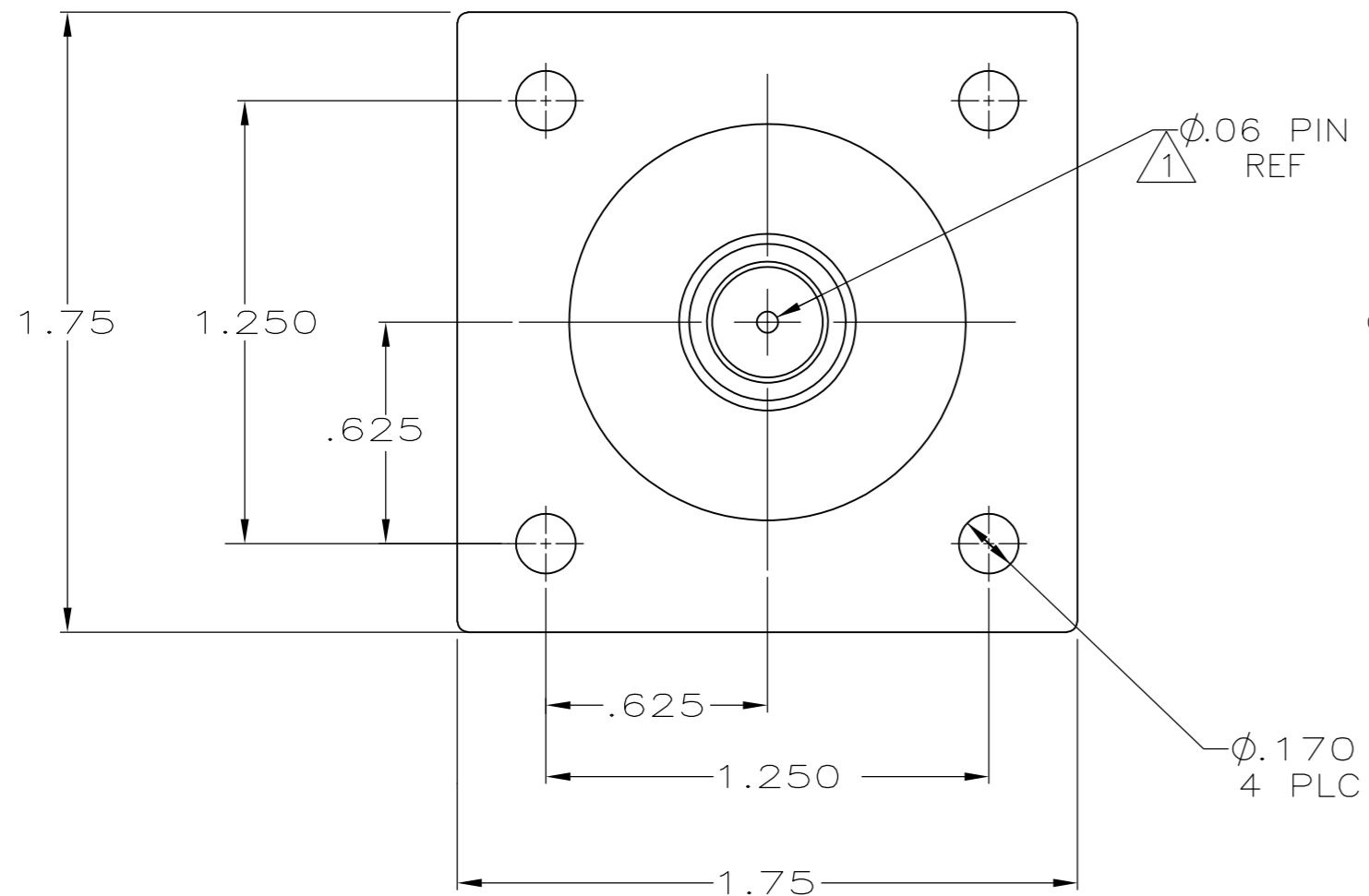


THIS DRAWING IS UNPUBLISHED. RELEASED FOR PUBLICATION
 © COPYRIGHT BY TYCO ELECTRONICS CORPORATION. ALL INTERNATIONAL RIGHTS RESERVED.

LOC	DIST	REVISIONS			
P	LTR	DESCRIPTION	DATE	DWN	APVD
DF	S0	F	REVISED PER ECO-10-025046	23DEC10	SK DE



- ① DIAMETERS TO BE CONCENTRIC WITHIN .015 T.I.R.
- 2. RECEPTACLE WILL MATE WITH AMP-1L LEAD ASSEMBLY. AVAILABLE SEPARATELY.

GOLD PLATED CENTER PIN	858873-2
TIN PLATED CENTER PIN	858873-1
PIN FINISH	PART NUMBER

THIS DRAWING IS A CONTROLLED DOCUMENT.		DWN C.C.THOMAS 2-11-03	Tyco Electronics Corporation Harrisburg, PA 17105-3608																		
DIMENSIONS: INCHES		CHK D.EABY 2-11-03	NAME RECEPTACLE ASSY,FEED-THRU,LGH-1L																		
TOLERANCES UNLESS OTHERWISE SPECIFIED:		APVD D.EABY 2-11-03	PRODUCT SPEC																		
<table border="1"> <tr><td>0 PLC</td><td>±</td><td>-</td></tr> <tr><td>1 PLC</td><td>±</td><td>-</td></tr> <tr><td>2 PLC</td><td>±</td><td>.03</td></tr> <tr><td>3 PLC</td><td>±</td><td>.015</td></tr> <tr><td>4 PLC</td><td>±</td><td>-</td></tr> <tr><td>ANGLES</td><td>±</td><td>-</td></tr> </table>		0 PLC	±	-	1 PLC	±	-	2 PLC	±	.03	3 PLC	±	.015	4 PLC	±	-	ANGLES	±	-	APPLICATION SPEC	
0 PLC	±	-																			
1 PLC	±	-																			
2 PLC	±	.03																			
3 PLC	±	.015																			
4 PLC	±	-																			
ANGLES	±	-																			
MATERIAL MOLDED GLASS EPOXY	FINISH BLACK	WEIGHT -	SIZE A2	CAGE CODE 00779																	
CUSTOMER DRAWING		DRAWING NO 858873	RESTRICTED TO	SCALE 2:1																	
		SHEET 1 of 1	REV F																		

858873

单击下面可查看定价，库存，交付和生命周期等信息

[>>TE Connectivity\(泰科\)](#)