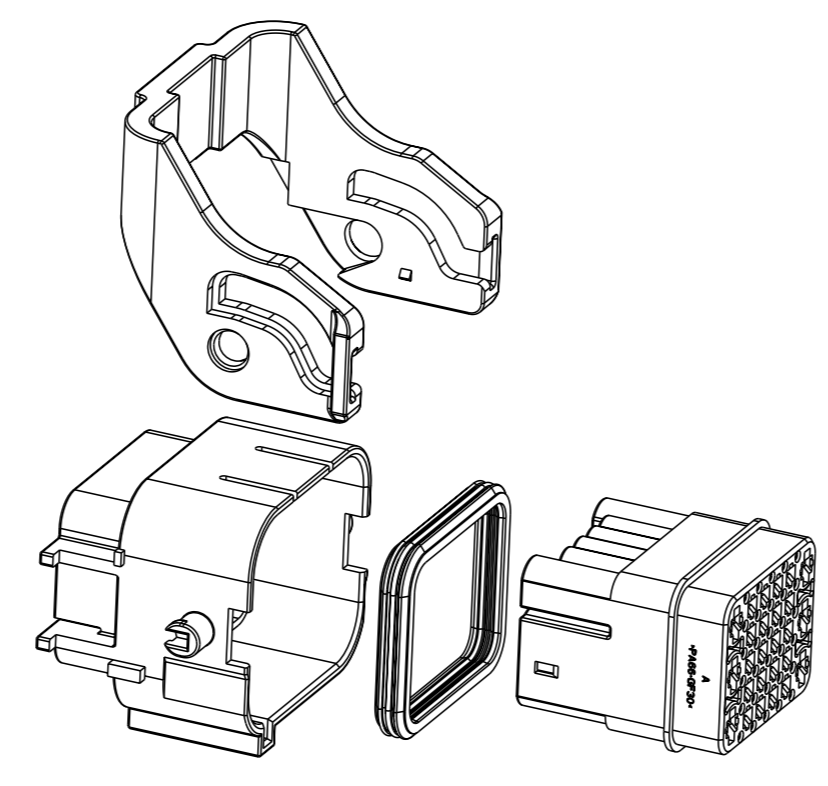
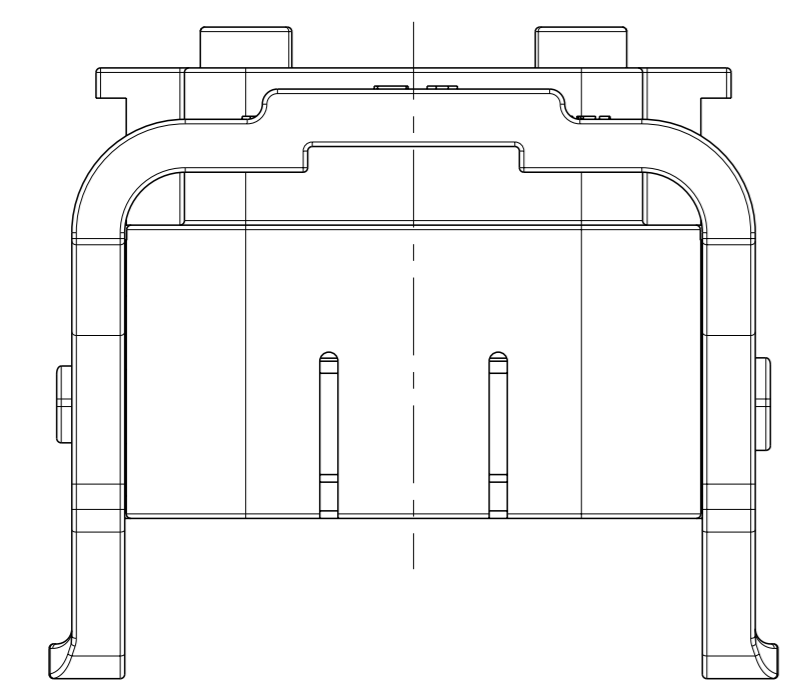
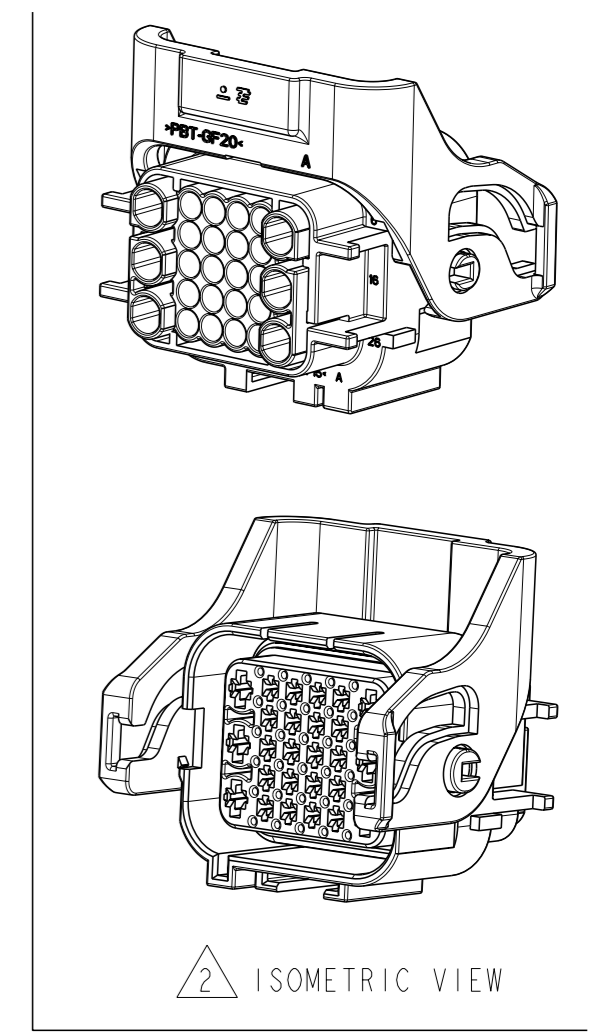
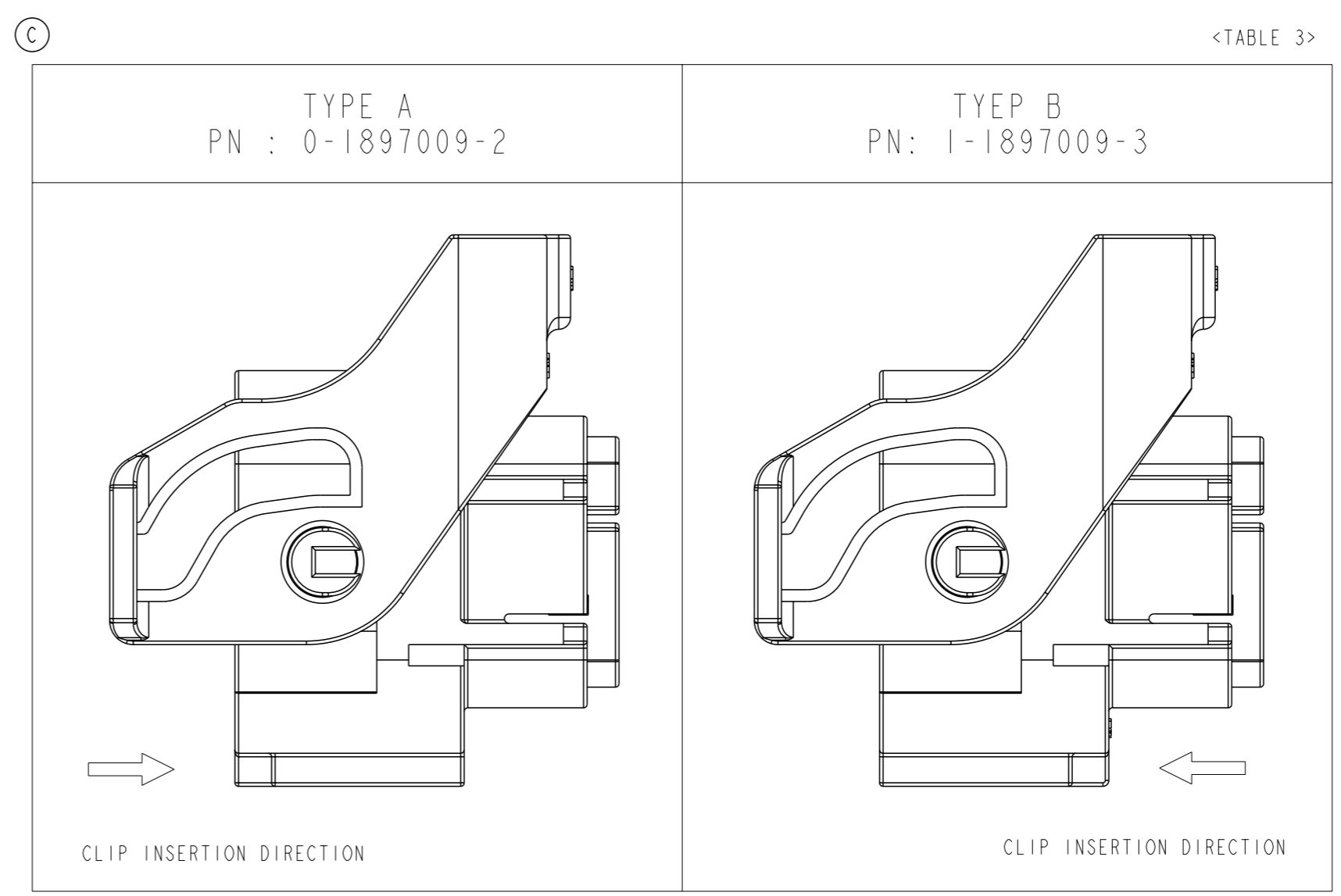


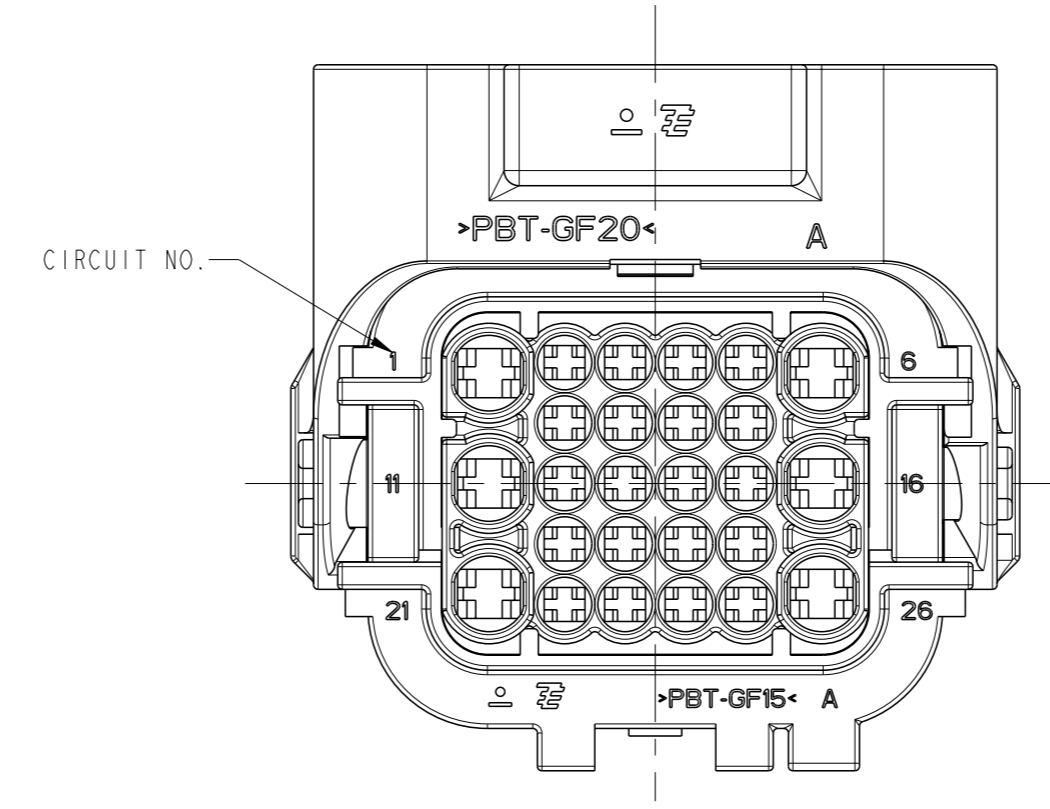
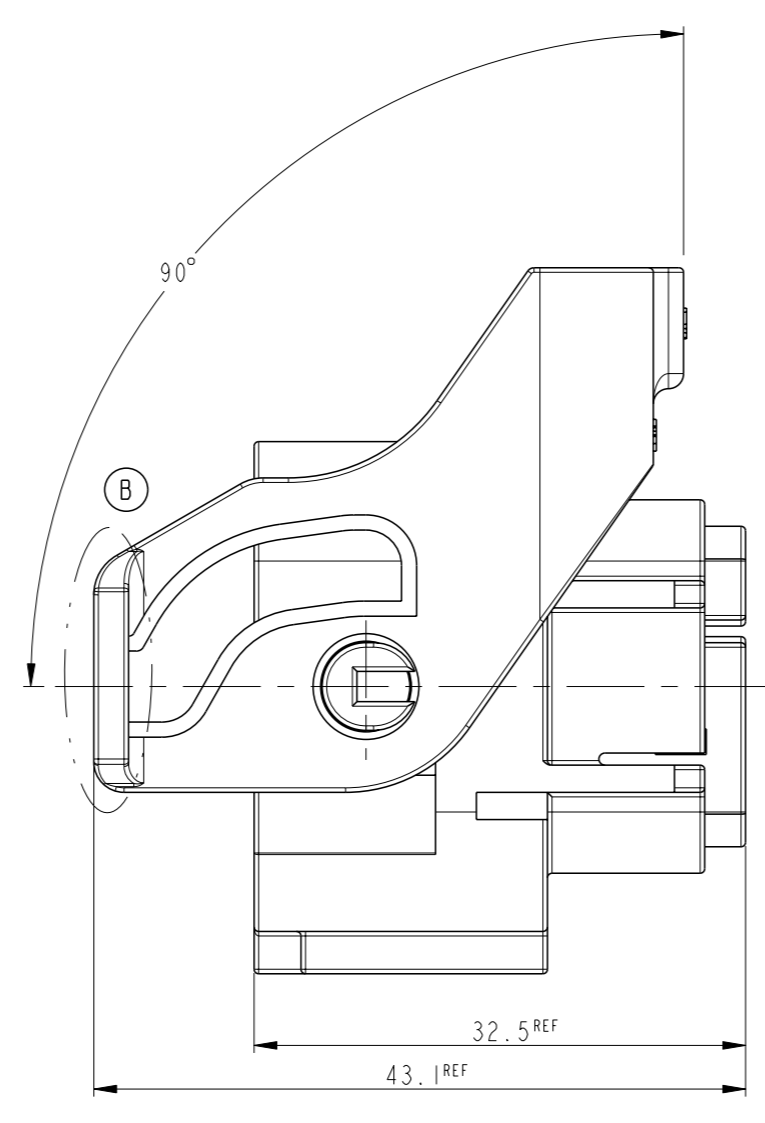
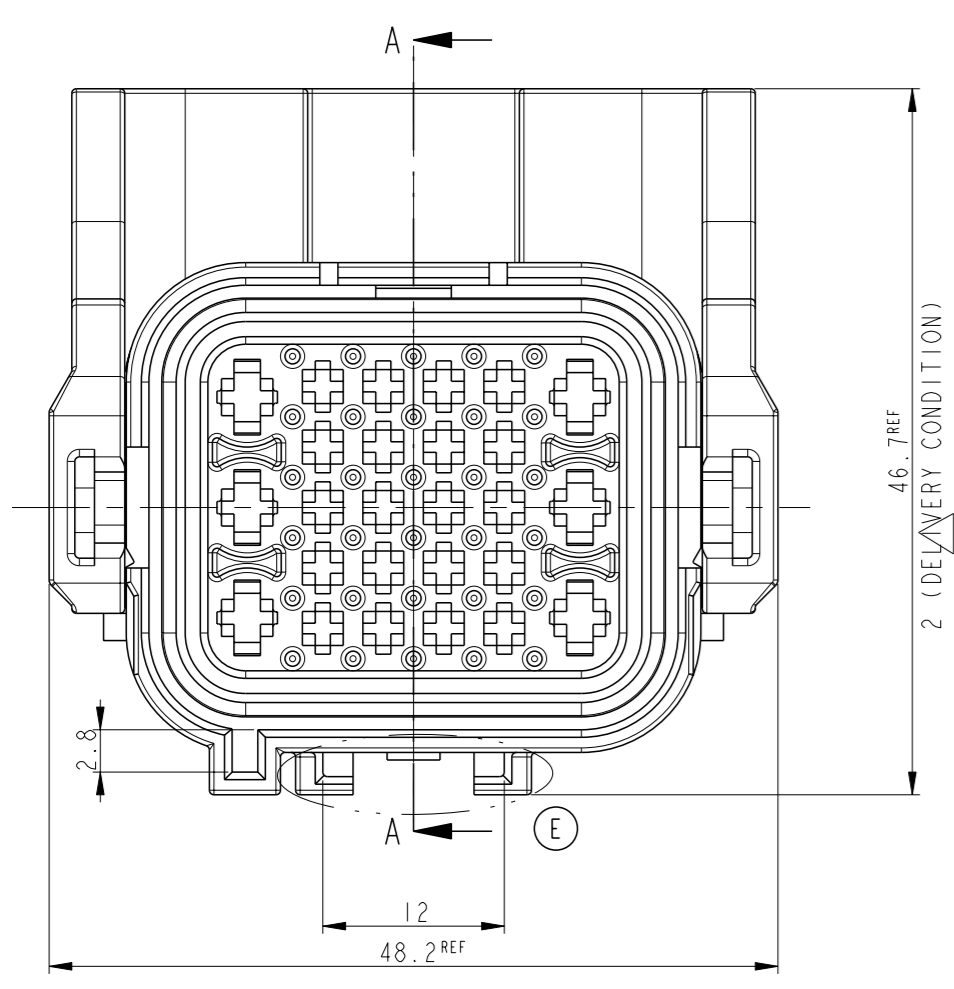
REVISIONS				
P	LY#	DESCRIPTION	DATE	OWN APVD
C		REVISED (ECR-16-009958)	31OCT2016	SJ JW
D		REVISED (ECR-16-016370)	21NOV2016	JM KT
E		REVISED (ECR-17-010547)	19JUL2017	SJ KT



3D EXPLODE VIEW (SCALE 1:1)



ISOMETRIC VIEW

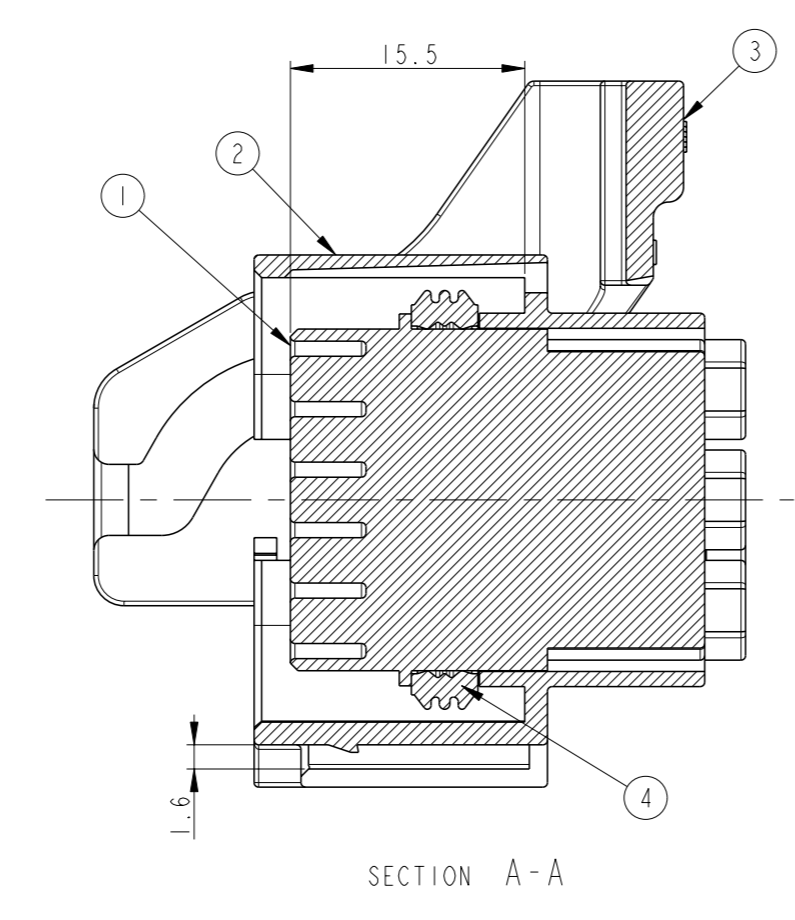
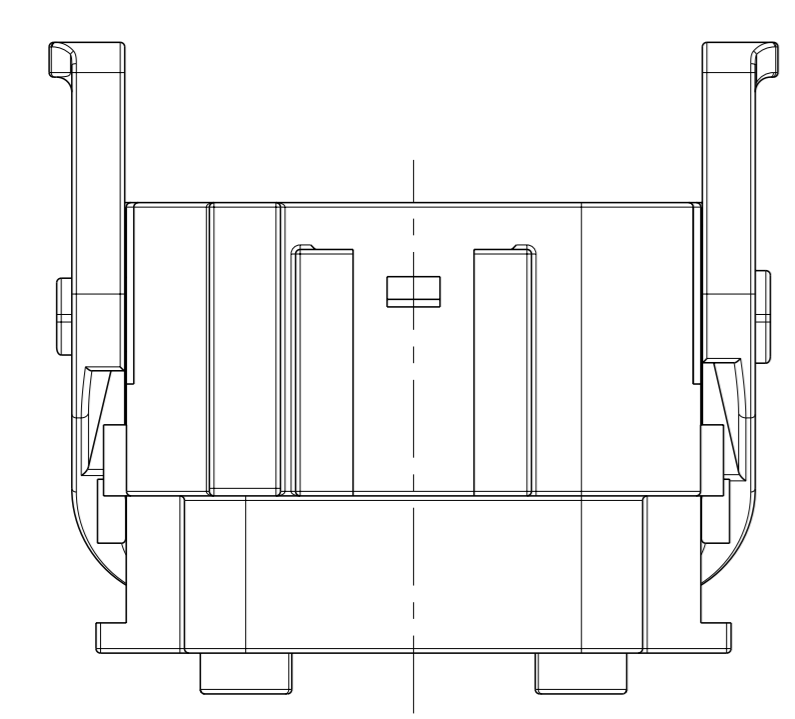


<TABLE 1>

TYPE	PART NO.	WIRE SIZE (mm ²)	Insulation DIA (mm)	Applicable WIRE (Reference)	FINISH
MTII	0-962875-1	0.2-0.5	1.2-1.6	AVSSXF 0.5 Max	CuSn4
	0-962875-3				CuSn4(GOLD)
	0-962876-1	0.5-1.0	1.4-2.1	AVSSXF 0.85 Max	CuSn4
0-962876-3	CuSn4(GOLD)				
JPT	0-927770-3	0.5-1.0	1.4-2.1	FLK 1.0 Max	CuSn4
	2-927770-1				CuSn4(GOLD)
	0-927766-3	1.0-2.5	2.2-3.0	AVSS 2.0 Max or FLR 2.5 Max	CuSn4
	2-927766-1				CuSn4(GOLD)

<TABLE 2>

TYPE	PART NO.	WIRE INSULATION DIAMETER (mm)	COLOR
MTII	964971-1	1.2-1.6	RED
	963530-1	1.4-1.9	GRAY
	964972-1	1.9-2.1	YELLOW
	963531-1	CAVITY PLUG	WHITE
JPT	828904-2	1.2-2.1	BLUE
	828905-1	2.2-3.0	WHITE
	828922-1	CAVITY PLUG	NATURAL



- NOTE
- GENERAL TOLERANCE: ± 0.3 , $\pm 3^\circ$
 - DELIVERY CONDITION
 - APPLIED CAP P/N: X-1897013-X
APPLIED WIRE COVER P/N: X-1897014-X
 - APPLICABLE RECEPTACLE CONTACT P/N: TABLE 1
 - APPLICABLE WIRE SEAL P/N: TABLE 2
 - CLIP INSERTION DIRECTION: TABLE 3

NO	DESCRIPTION	MATERIAL	COLOR	Q'TY
④	INNER SEAL	SILICONE	RED ORANGE	1
③	LEVER HSG	PBT-GF20	GRAY	1
②	MAIN PLUG HSG - TYPE B	PBT-GF15	GRAY	-
	MAIN PLUG HSG - TYPE A	PBT-GF15	BLACK	-
①	FRONT PLUG HSG	PA66-GF30	BLACK	1

THIS DRAWING IS A CONTROLLED DOCUMENT. DIMENSIONS: mm. TOLERANCES UNLESS OTHERWISE SPECIFIED. MATERIAL: SEE TABLE. CUSTOMER DRAWING.

DWG: CH PARK, CHK: YM CHOI, APVD: JK SONG, PRODUCT SPEC. APPLICATION SPEC. WEIGHT: A1.00779. SCALE: 2:1. SHEET 1 OF 1. REV E.

TE TE Connectivity
NAME: PLUG ASS'Y FOR MTII JPT SLD 26P
SIZE: A1. CAGE CODE: 00779. DRAWING NO: 1897009. RESTRICTED TO: -

单击下面可查看定价，库存，交付和生命周期等信息

[>>TE Connectivity\(泰科\)](#)