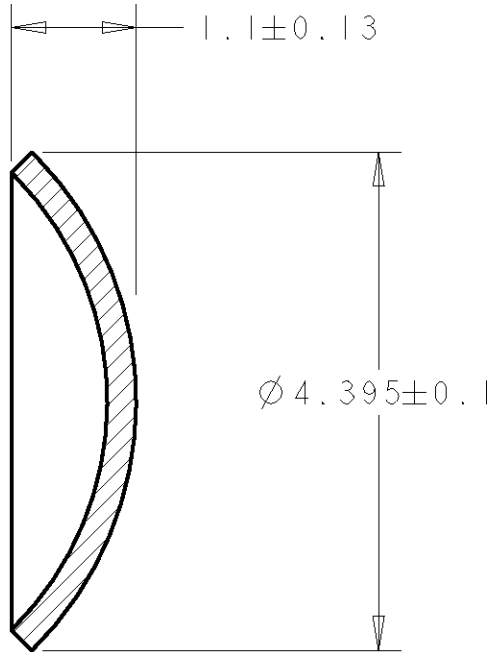


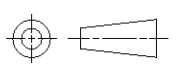
LOC	DIST	REVISIONS					
AJ	16	P	LTR	DESCRIPTION	DATE	DWN	APVD
		0		RELEASED	25SEP97	AG	RH



THIS DRAWING IS UNPUBLISHED. BY AMP INCORPORATED. ALL RIGHTS RESERVED.

148403-2  
PART NUMBER

DIMENSIONS: mm  TOLERANCES UNLESS OTHERWISE SPECIFIED: 0 PLC ±- 1 PLC ±- 2 PLC ±- 3 PLC ±- 4 PLC ±- ANGLES ±-	DWN AJ GRAFF 25SEP97	MATERIAL BRASS PER ASTM-B-19	FINISH TIN PLT PER ASTM-B-545
	CHK RC HOSLER 25SEP97	<b>AMP</b> AMP Incorporated Harrisburg, PA 17105-3608	
APVD RA PATTERSON 25SEP97	NAME END CAP		
PRODUCT SPEC -	SIZE A4	CAGE CODE 00779	DRAWING NO C-148403
APPLICATION SPEC -	WEIGHT -	SCALE 15:1 SHEET 1 OF 1 REV 0	
CUSTOMER DRAWING			



单击下面可查看定价，库存，交付和生命周期等信息

[>>TE Connectivity\(泰科\)](#)