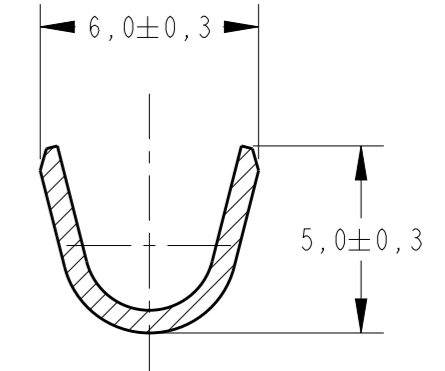
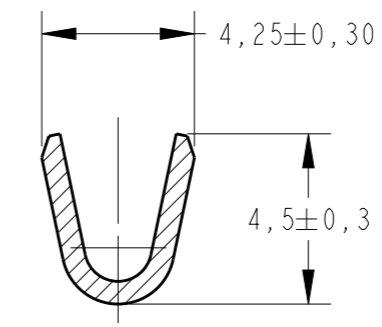
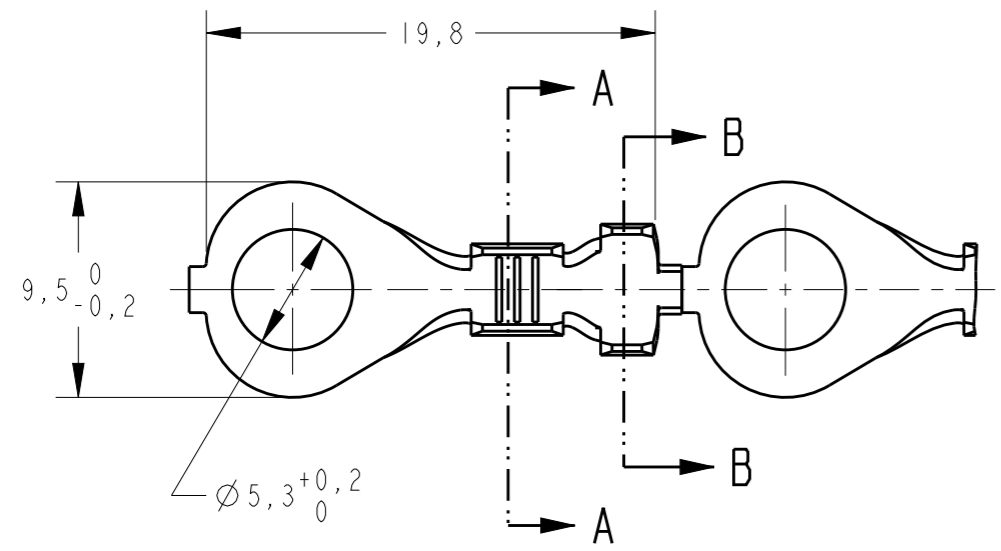


THIS DRAWING IS UNPUBLISHED. RELEASED FOR PUBLICATION 20
 © COPYRIGHT 20 BY - ALL RIGHTS RESERVED.

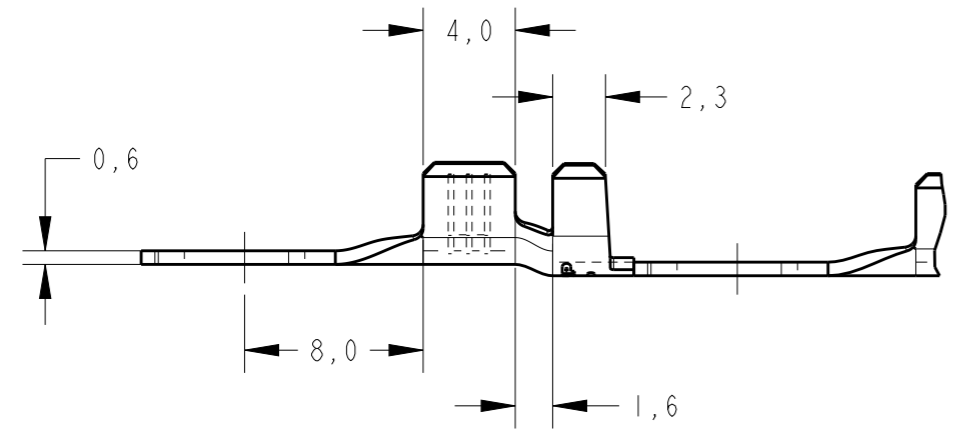
LOC	DIST	REVISIONS				
P	LTR	DESCRIPTION	DATE	DWN	APVD	
AP	-	E3	REVISED BY ECO 16-005813	18JULY2016	HC	WLS

creo
 Creo Parametric 2.0
**DO NOT REVISE
 EXCEPT BY CAD**



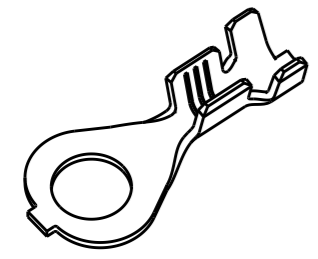
SECTION A-A
 SCALE 5:1

SECTION B-B
 SCALE 5:1



△ - REBOBINAR COM PAPEL INTERCALADO
 - REELING WITH PAPER INTERLEAVE

	Ø 2,2-3,8mm	1,0-2,5mm ²	ESTANHADO / TIN PLATED	LATÃO / BRASS	626033-5 △
OBSOLETE	Ø 2,2-3,8mm	1,0-2,5mm ²	ESTANHADO / TIN PLATED	BRONZE FOSFOROSO/PHOSP. BRONZE	626033-4
OBSOLETE	Ø 2,2-3,8mm	1,0-2,5mm ²	ESTANHADO / TIN PLATED	BRONZE FOSFOROSO/PHOSP. BRONZE	626033-3
	Ø 2,2-3,8mm	1,0-2,5mm ²	ESTANHADO / TIN PLATED	LATÃO / BRASS	626033-2
	—	—	—	LATÃO / BRASS	626033-1
	INSUL RANGE	WIRE RANGE	FINISH	MATERIAL	PART NO



PERSPECTIVE VIEW
 SCALE 2:1

THIS DRAWING IS A CONTROLLED DOCUMENT.		DWN 06 JUN 2014 NCLAPRESA	STE TE Connectivity	
DIMENSIONS: mm		CHK 06 JUN 2014 FCFORTUNATO		
TOLERANCES UNLESS OTHERWISE SPECIFIED:		APVD 06 JUN 2014 DAOLIVEIRA	NAME RING TONGUE	
0 PLC ±-		PRODUCT SPEC -	SIZE A3	
1 PLC ±0,3		APPLICATION SPEC -	CAGE CODE 00779	DRAWING NO C-626033
2 PLC ±-		WEIGHT -	RESTRICTED TO -	
3 PLC ±-		CUSTOMER DRAWING	SCALE 3:1	SHEET 1 OF 1
4 PLC ±-			REV E3	
ANGLES ±1°				
FINISH SEE TABLE				

单击下面可查看定价，库存，交付和生命周期等信息

[>>TE Connectivity\(泰科\)](#)