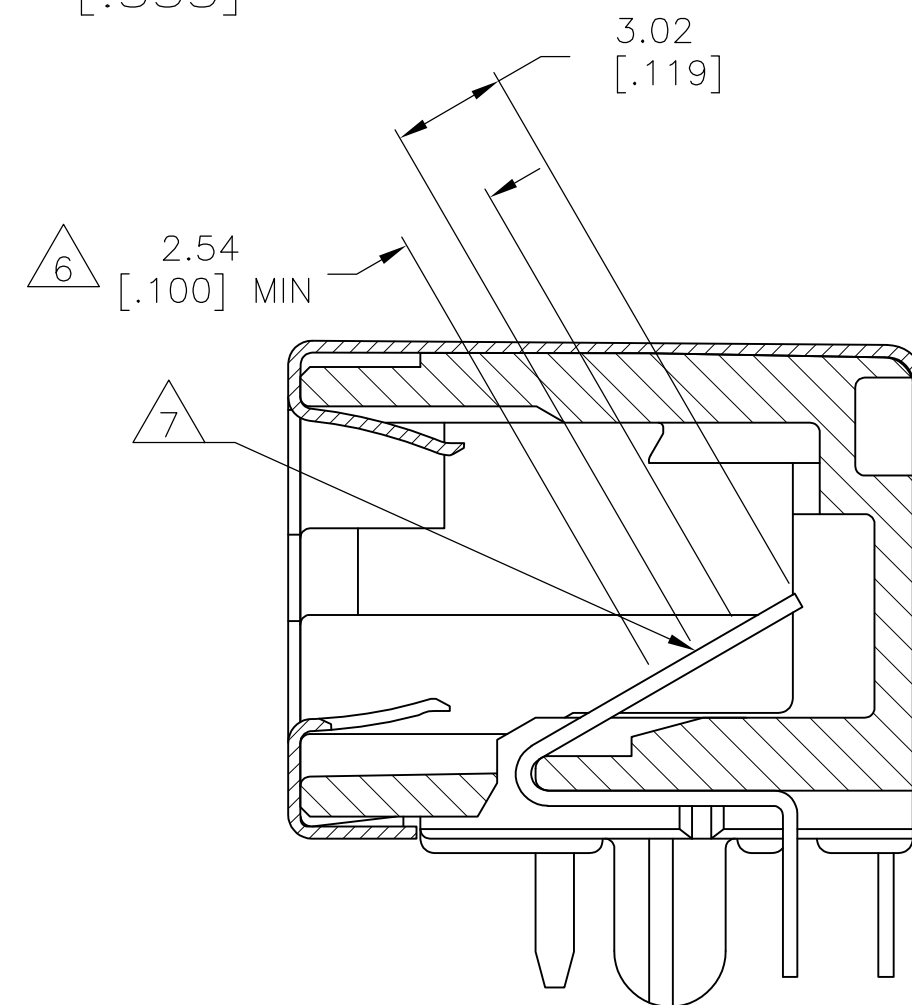
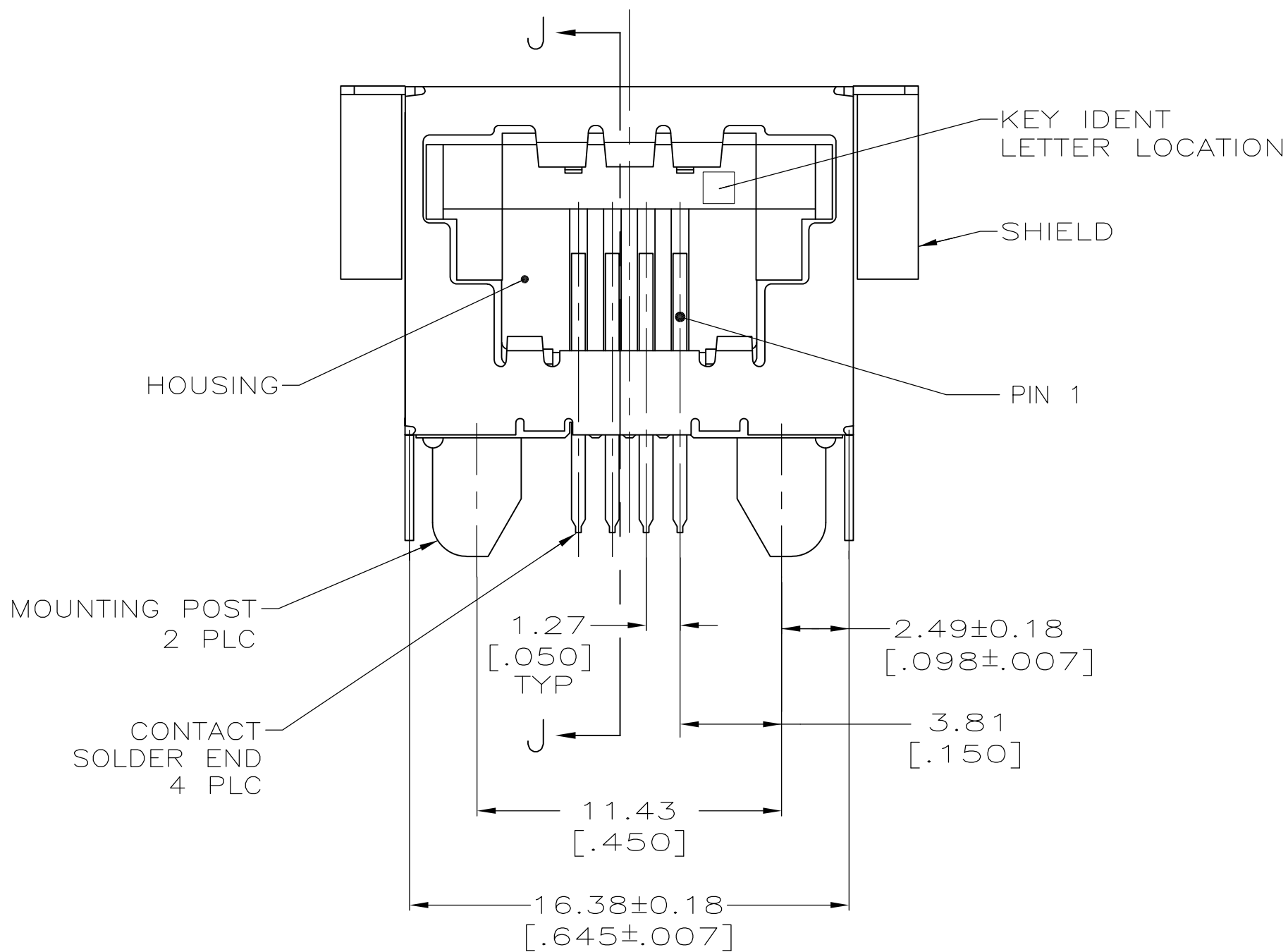
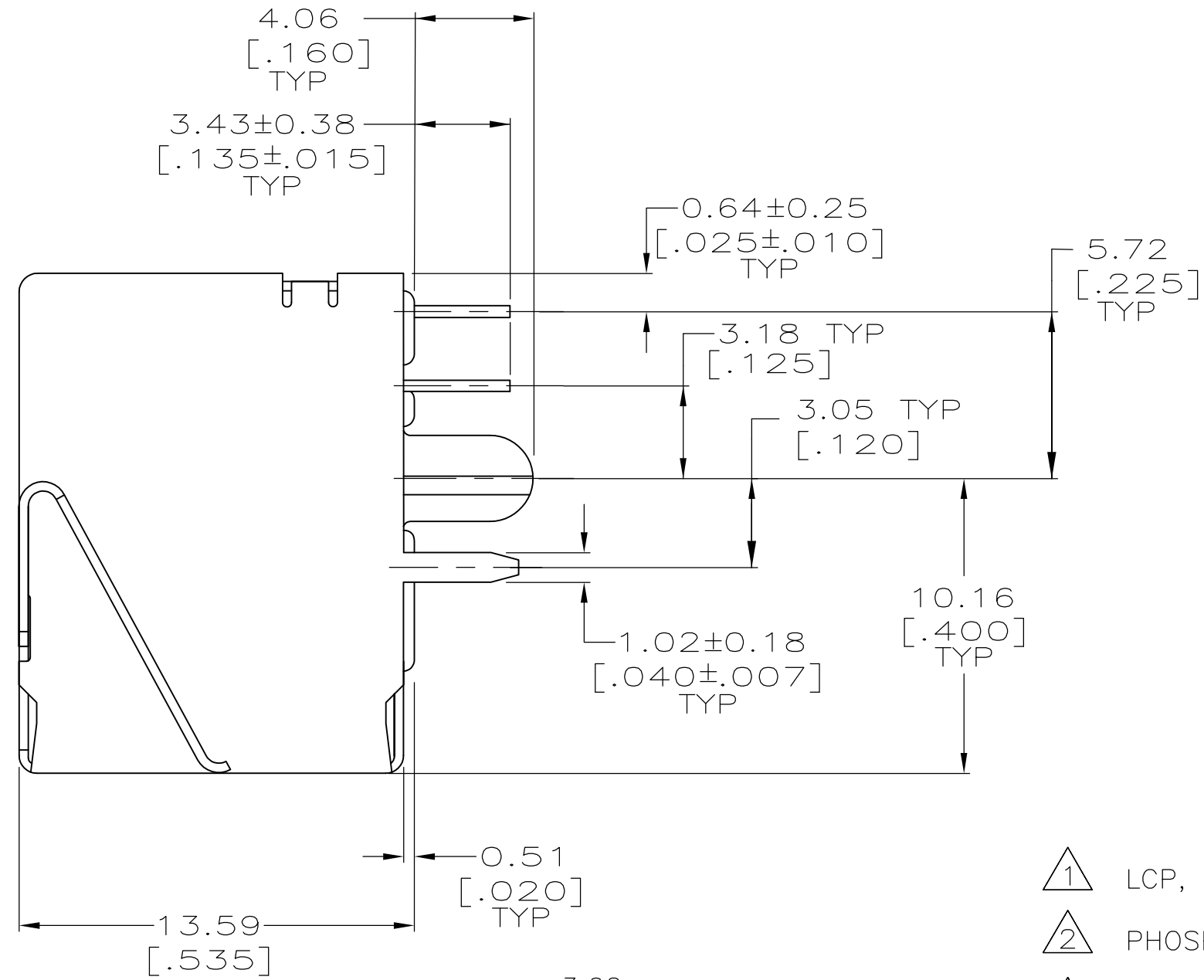
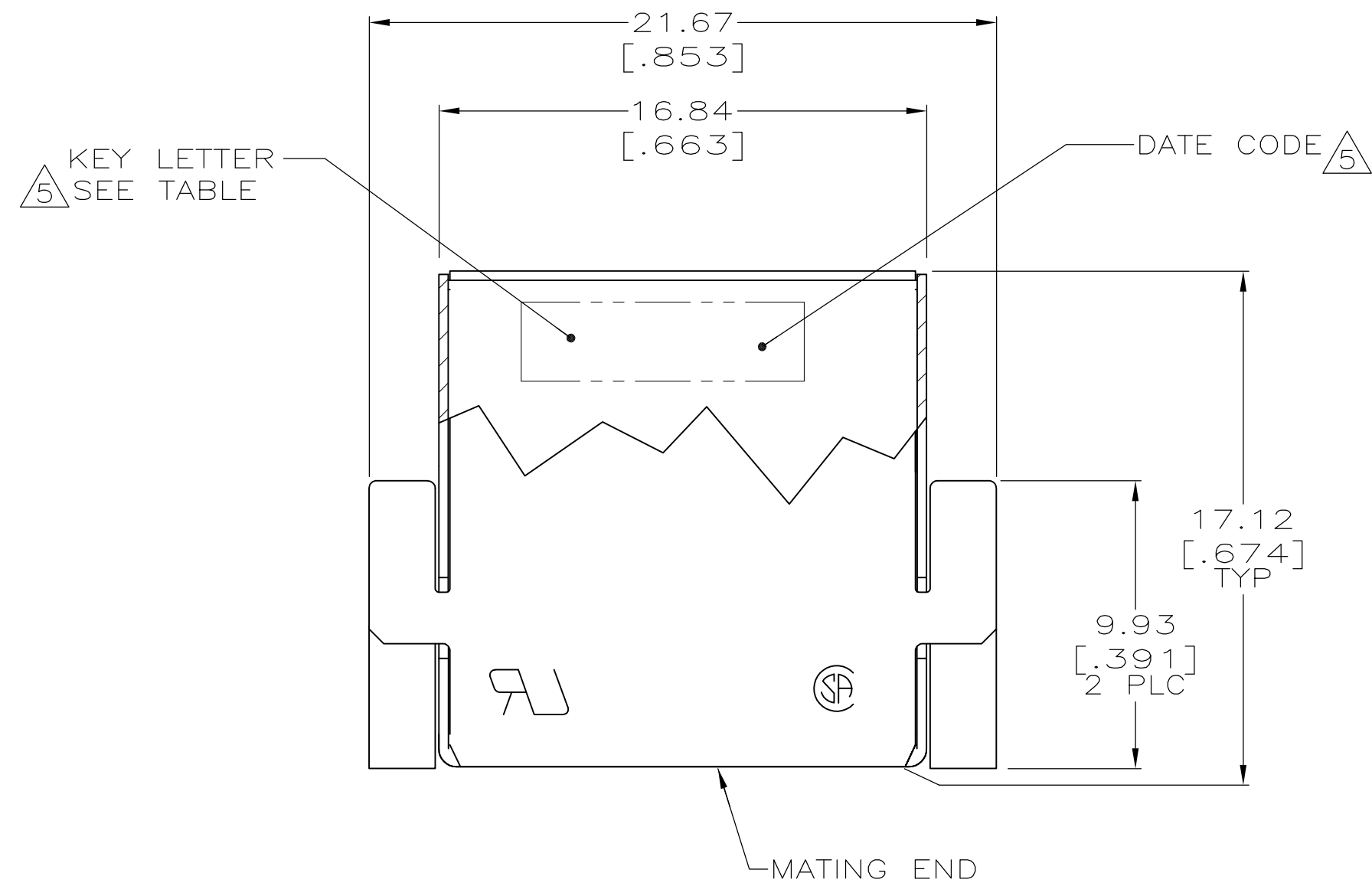


THIS DRAWING IS UNPUBLISHED. RELEASED FOR PUBLICATION
 © COPYRIGHT - By - ALL RIGHTS RESERVED.

LOC		DIST		REVISIONS			
P	LTR	DESCRIPTION	DATE	DWN	APVD		
GP	00	C	REVISED PER ECO-11-019758	14FEB2012	CJV	CWR	



- 1 LCP, UL 94V-0 RATED, BLACK.
- 2 PHOSPHOR BRONZE.
- 3 2.54µm [.000100] MIN BRIGHT TIN.
- 4 3.81µm [.000150] MIN MATTE TIN ON SOLDER END, 1.27µm [.000050] MIN GOLD ON MATING END FOR A LENGTH OF 2.54 [.100] MIN ON MATING SURFACE, ALL OVER 1.27µm [.000050] MIN NICKEL.
- 5 KEY IDENTIFICATION LETTER AND DATE CODE HOT STAMPED ON HOUSING, THIS SURFACE, LOCATED APPROXIMATELY AS SHOWN.
- 6 DIMENSION INDICATES CONTACT MATING AREA.
- 7 PLATING MEASUREMENT POINT.

OBSOLETE	E	5-1761205-1
	D	4-1761205-1
	KEY IDENT LETTER	PART NO

THIS DRAWING IS A CONTROLLED DOCUMENT. DIMENSIONING AND TOLERANCING PER ASME Y14.5M-2009		DWN B. MCMASTER 30APR04	TE Connectivity	
DIMENSIONS: mm [INCHES]		CHK C. ROHDE 30APR04	RECEPTACLE ASSEMBLY, 4 POSITION, SIDE ENTRY GND, SDL	
TOLERANCES UNLESS OTHERWISE SPECIFIED:		APVD M. WALMSLEY 30APR04	NAME	
0 PLC ± -	1 PLC ± -	PRODUCT SPEC	108-2047	
2 PLC ± 0.13 [.005]	3 PLC ± -	APPLICATION SPEC	114-2081	
4 PLC ± -	ANGLES ± -	WEIGHT	-	
MATERIAL	FINISH	CUSTOMER DRAWING	SCALE 5:1	SHEET 1 OF 1
			SIZE A2	CAGE CODE 00779
			DRAWING NO C=1761205	RESTRICTED TO -
			REV C	

单击下面可查看定价，库存，交付和生命周期等信息

[>>TE Connectivity\(泰科\)](#)