

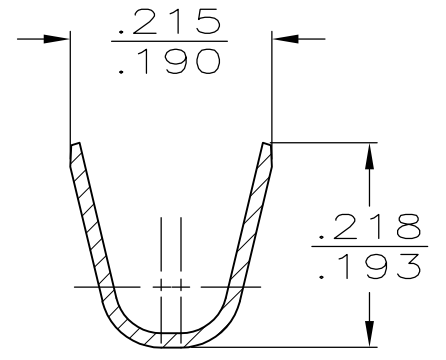
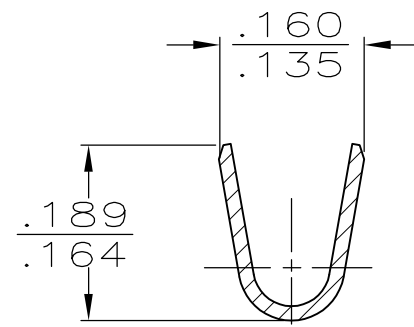
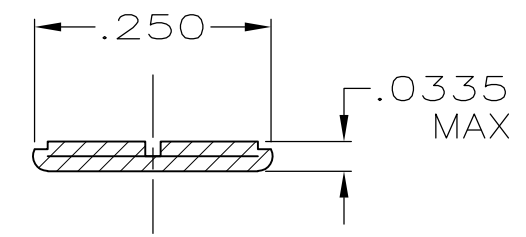
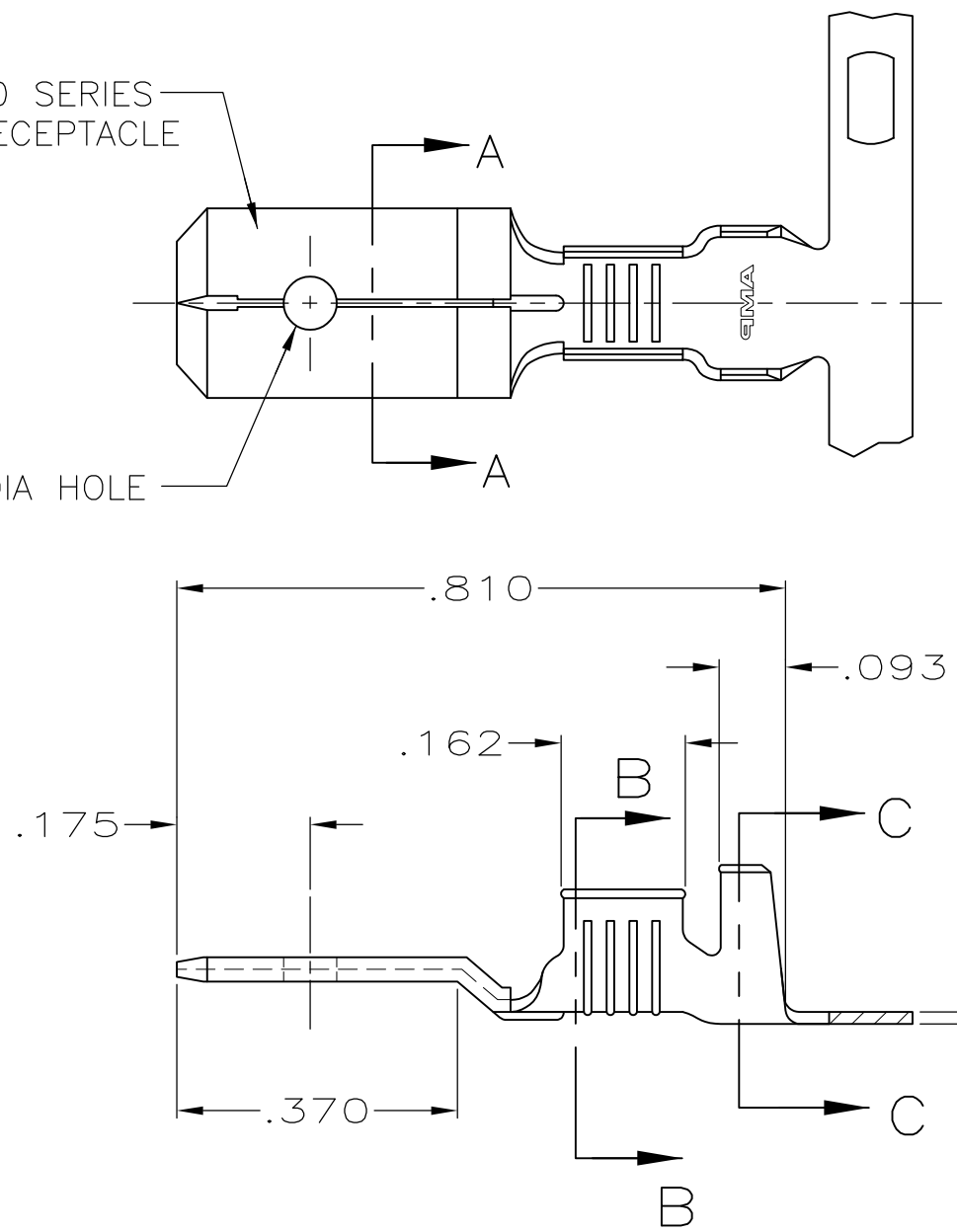
THIS DRAWING IS UNPUBLISHED. RELEASED FOR PUBLICATION
 © COPYRIGHT - By - ALL RIGHTS RESERVED.

| LOC | DIST | REVISIONS | | | |
|-----|------|-------------|---------------------------|-----------|-------|
| P | LTR | DESCRIPTION | DATE | DWN | APVD |
| AF | 50 | G | REVISED PER ECR-13-011489 | 06DEC2013 | KH PD |

1 CONTINUOUS STRIP ON REELS.

FITS .250 SERIES FASTON RECEPTACLE

.075
.060 DIA HOLE



| | | | | |
|----------|--------------------|------------------|-----------|---------|
| OBSOLETE | TIN .000080 MIN | .110-.170 DIA | 14-12 AWG | 61362-3 |
| | SILVER .000150 MIN | | | 61362-2 |
| OBSOLETE | | | | 61362-1 |
| | FINISH | INSULATION RANGE | WIRE SIZE | PART NO |

| | | | | | | | | | | | | | |
|--|-------|--------------|-----------|---------|--|-------|-----|-----------|--------|------------|---------|---------------|---|
| THIS DRAWING IS A CONTROLLED DOCUMENT. | | DWN | JR RUTH | 1/31/91 | TE Connectivity NAME TAB, FASTON™ .250 SERIES | | | | | | | | |
| DIMENSIONS: INCHES | | CHK | MS FEHER | 1/31/91 | | | | | | | | | |
| TOLERANCES UNLESS OTHERWISE SPECIFIED: | | APVD | C MEYERS | 1/31/91 | | | | | | | | | |
| 0 PLC ± - 1 PLC ± - 2 PLC ± - 3 PLC ± .015 4 PLC ± - ANGLES ± - | | PRODUCT SPEC | - | | | | | | | | | | |
| MATERIAL | BRASS | FINISH | SEE TABLE | WEIGHT | - | SIZE | A3 | CAGE CODE | 00779 | DRAWING NO | C-61362 | RESTRICTED TO | - |
| CUSTOMER DRAWING | | | | | | SCALE | 4:1 | SHEET | 1 OF 1 | REV | G | | |

单击下面可查看定价，库存，交付和生命周期等信息

[>>TE Connectivity\(泰科\)](#)