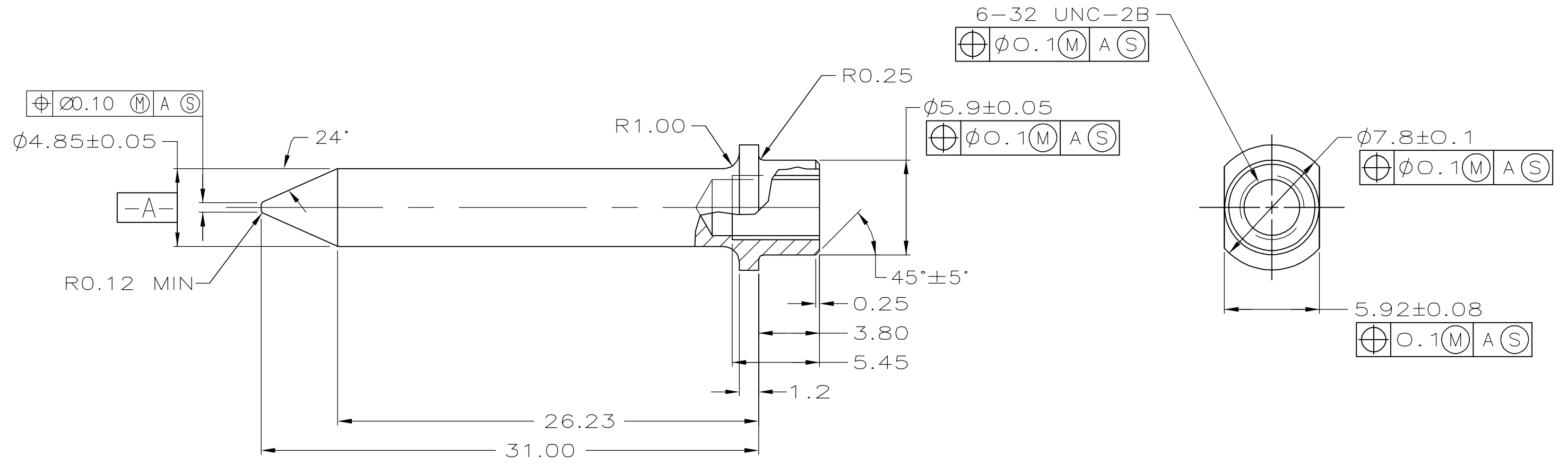


THIS DRAWING IS UNPUBLISHED. RELEASED FOR PUBLICATION
 © COPYRIGHT BY TYCO ELECTRONICS CORPORATION. ALL RIGHTS RESERVED.

LOC	DIST	REVISIONS			
P	LTR	DESCRIPTION	DATE	DWN	APVD
AD	00	A	REV PER ECO-06-027841	28NOV2006	BC RP

1 MATERIAL: STAINLESS STEEL.
 2 FINISH: PASSIVATE.



1645369-1
 PART NUMBER

THIS DRAWING IS A CONTROLLED DOCUMENT.		DWN B.CARBO 29NOV2006	Tyco Electronics Corporation Harrisburg, PA 17105-3608			
DIMENSIONS: mm		CHK R.PATTERSON 29NOV2006				
TOLERANCES UNLESS OTHERWISE SPECIFIED:		APVD R.PATTERSON 29NOV2006	NAME			
0 PLC ± - 1 PLC ± - 2 PLC ± 0.13 3 PLC ± - 4 PLC ± - ANGLES ± 30°		PRODUCT SPEC	GUIDE PIN, UNIVERSAL POWER MODULE			
MATERIAL		APPLICATION SPEC	SIZE	CAGE CODE	DRAWING NO	RESTRICTED TO
1		WEIGHT	A3	00779	C-1645369	-
2		CUSTOMER DRAWING		SCALE	SHEET	REV
				4:1	1 OF 1	A

单击下面可查看定价，库存，交付和生命周期等信息

[>>TE Connectivity\(泰科\)](#)