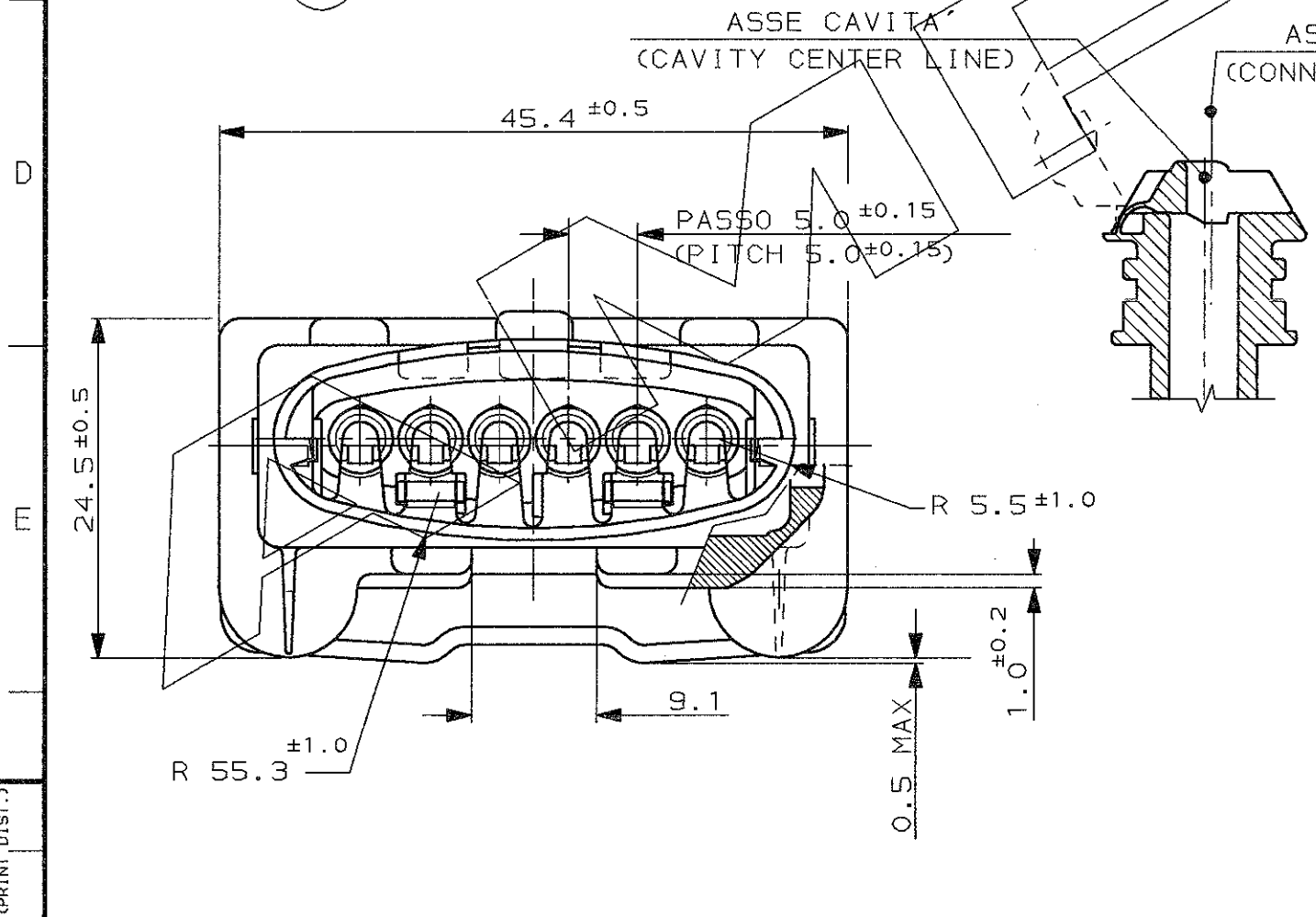
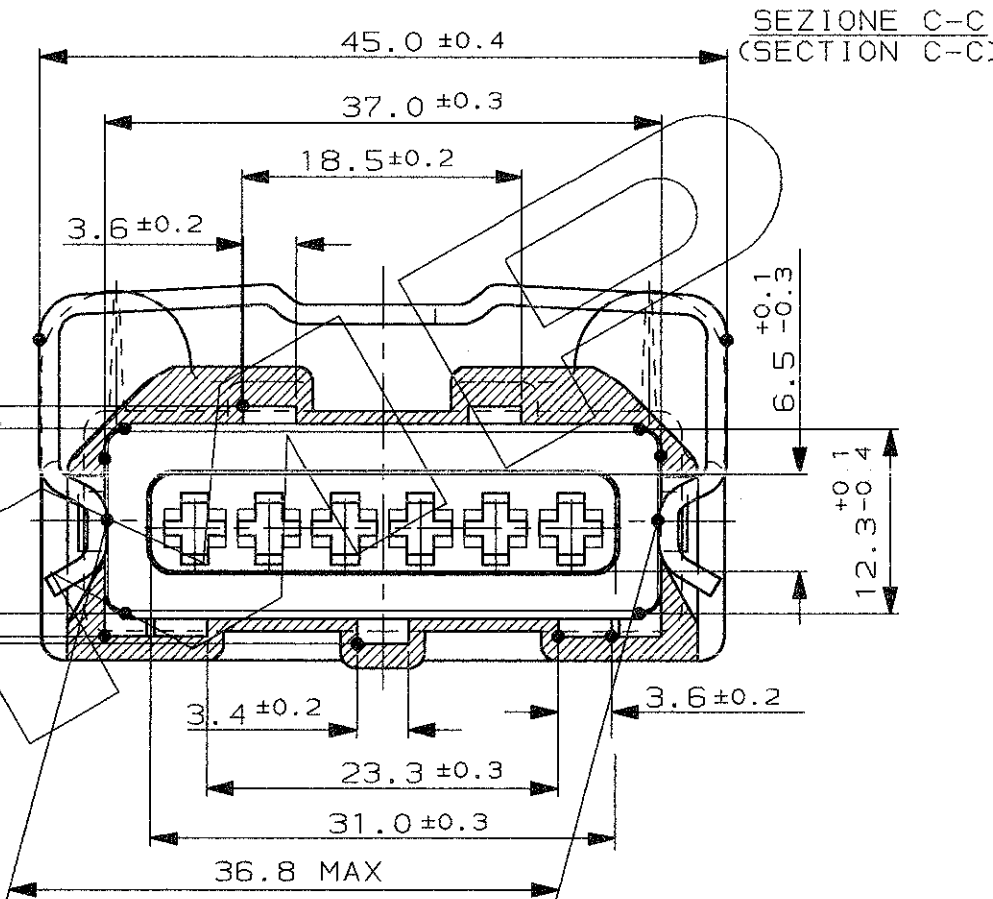
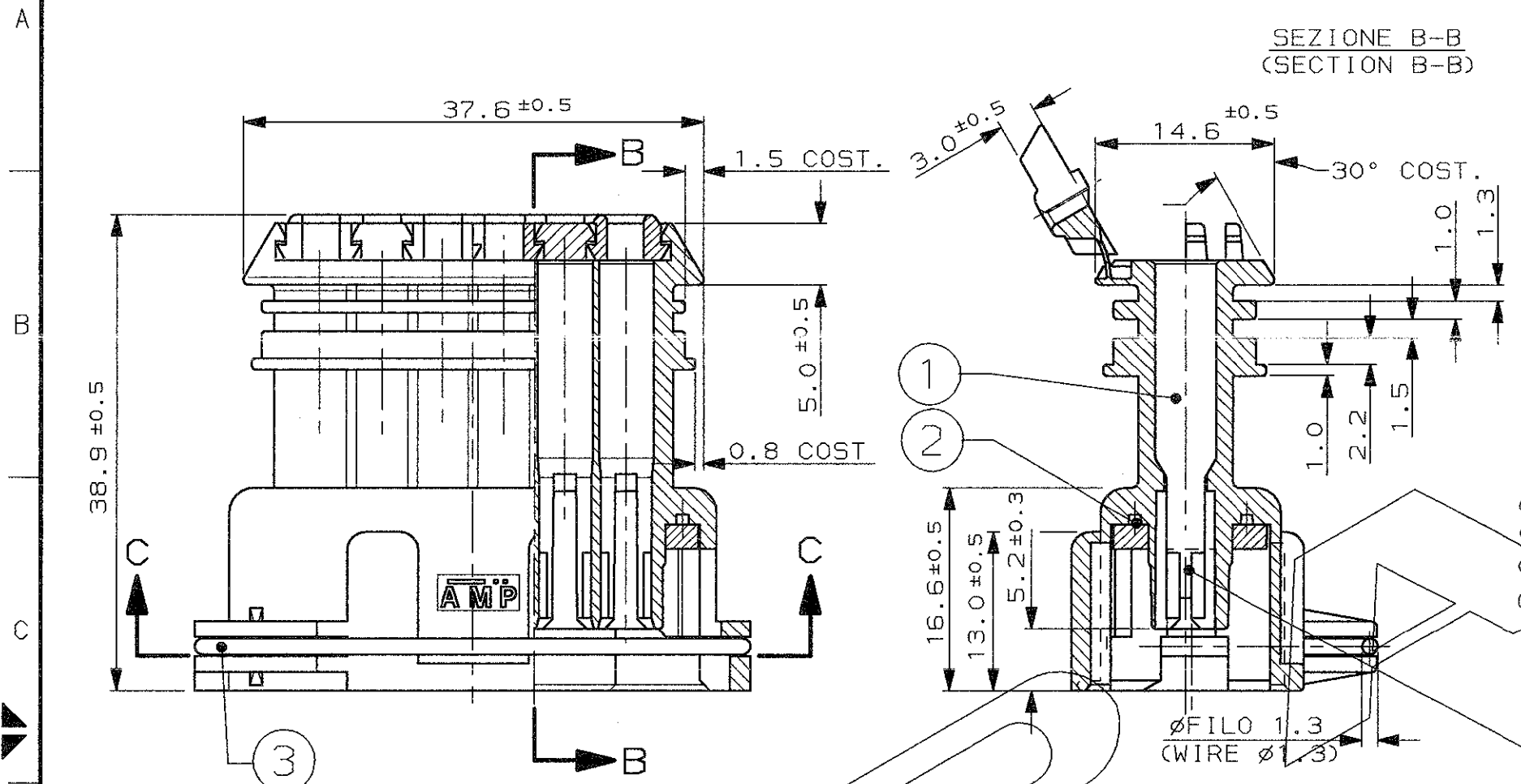


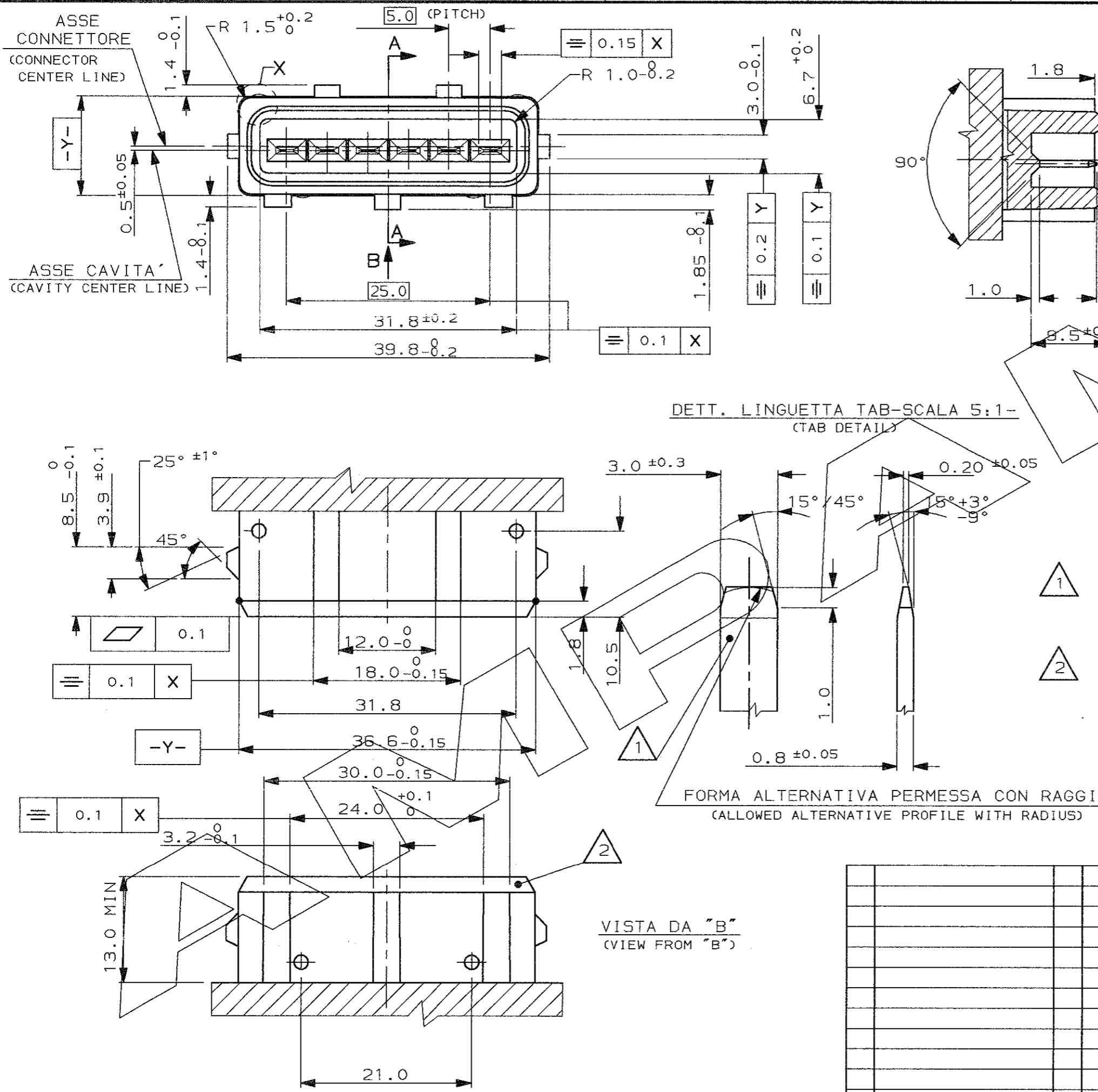
CONNETTORE TIPO A (CON MOLLA DI RITEGNO ESTERNA)  
CONNECTOR TYPE A (WITH EXTERNAL SPRING)



TIP. CAVITA' PER TERMINALI AMP JPT P/N 929939-...  
OPPURE 929937-... E RELATIVI GOMMINI  
AMP P/N 828904-1, 828905-1, 282536-1.  
TAPPO CAVITA' P/N 828906-2  
(TYP. CAV. FOR JPT CONT. P/N 929939-... A/O 929937-... AND REL.  
SINGLE WIRE SEAL P/N 828904-1, 828905-1, 282536-1  
CAVITY PLUG P/N 828906-2)

3	//////	ACCIAIO INOX (STAINLESS STEEL)	MOLLA (SPRING)
2	VED. TABELLA (SEE TABLE)	GOMMA (RUBBER)	GUARNIZIONE (RUBBER GASKET)
1	NERO (BLACK)	PA 6.6	BLOCCHETTO 6 VIE (6 POS. HOUSING)
REV.	COLORE GUARNIZIONE (SEALING COLOUR)	P/N ASSEM. ASS' M P/N	
N	NATURALE (NATURAL)	282236-2	
OBSOLETE	NERO (BLACK)	282236-1	
REV.	COLORE GUARNIZIONE (SEALING COLOUR)	P/N ASSEM. ASS' M P/N	
N	ECR-14-003472	MP	24MAR 2014
M1	OBSOLETO -1 CON ET00-0069-02 OBSOLETE-1 FOR ET00-0069-02	P.Z.	04-04 2002
M	AGGIORN. CON ET00-0222-01 REVISED WITH ET00-0222-01	M.P.	25-08 '01
L1	AGGIUN. -2 CON ET00-0249-00 ADDED-2 FOR ET00-0249-00	A.P.	29-01 '00
L	AGGIORN. CON ET00-0221-96 REVISED FOR ET00-0221-96	A.F.	27-5 '95
B	AGGIORN. CON ET00-0108-95 REVISED FOR ET00-0108-95	M.P.	11-5 '95
A	PRIMA EMISSIONE (GIÀ IN PRODUZIONE)	R.M.	27-9 '93
REV.	REVISIONI (REVISION RECORD)	DIS. (DR)	DATA (DATE)
CUSTOMER DWG. FOR REFERENCE ONLY		DISEGNO PER CLIENTE SOLO PER RIFERIMENTO	
THIS DRAWING IS UNPUBLISHED		RELEASE FOR PUBLICATION 19	
© COPYRIGHT 19 BY AMP INCORPORATED, HARRISBURG, PA. ALL INTERNATIONAL RIGHT RESERVED. AMP PRODUCTS MAY BE COVERED BY U.S. AND FOREIGN PATENT AND/OR PATENT PENDING			
TOLLERANZE, SE NON DIVERSAMENTE SPECIFICATO (TOLERANCES, UNLESS OTHERWISE SPECIFIED)		DIAM. ISOLANTE (INS. DIA. RANGE)	
± 0.3		RANGO FILO (WIRE RANGE)	
ANGOLI (ANGLES)		SCALA (SCALE)	
± 2°		1.5-3.0mm REDUCED INS. CABLE	
DIS. 25 SEPT 93 (DR.)		DESCRIZIONE (DESCRIPTION)	
R. MARTINI		6 WAY SPLASH PROOF CONN. ASSY with SECONDARY LOCK	
CONT. 27 SEPT 93 (CHK) C. TARTARI		LOC. SIZE NUMERO (DWG NO)	
APP. (APP.)		REV. FOGLIO (SHEET)	
I A3		C-282236	
N		1 DI (OF) 2	

DISTRIBUZIONE (PRINT DIST.)



SCALA NON IMPEGNATIVA (DO NOT SCALE)  
 DIMENSIONI IN (DIMENSIONS IN) mm  
**METRIC**  
 PROIEZIONE EUROPEA (EUROPEAN PROJECTION)

- 1 MATERIALE LINGUETTA: LEGA DI RAME STAGNATA, ES. OTTONE STAGNATO.  
 (TAB CONTACT MATERIAL: TIN PLATED COPPER ALLOY. E.G. BRASS TIN PLATED)
- 2 MATERIALE BLOCCHETTO: TERMOPLASTICO CARICATO FIBRA VETRO.  
 (HOUSING MATERIAL: THERMOPLASTIC, GLASS FIBER FILLED)

FORMA ALTERNATIVA PERMESSA CON RAGGIO  
 (ALLOWED ALTERNATIVE PROFILE WITH RADIUS)

VISTA DA "B"  
 (VIEW FROM "B")

REV.	REVISIONI (REVISION RECORD)	DIS. (DR)	DATA (DATE)

FINITURA / COLORE (FINISH / COLOUR)	MATERIALE (MATERIAL)	NUMERO (PART NUMBER)
CUSTOMER DWG. FOR REFERENCE ONLY	DISEGNO PER CLIENTE SOLO PER RIFERIMENTO	19
THIS DRAWING IS UNPUBLISHED - RELEASE FOR PUBLICATION		19
© COPYRIGHT 19 BY AMP INCORPORATED, HARRISBURG, PA. ALL INTERNATIONAL RIGHT RESERVED. AMP PRODUCTS MAY BE COVERED BY U.S. AND FOREIGN PATENT AND/OR PATENT PENDING		
TOLLERANZE, SE NON DIVERSAMENTE SPECIFICATO (TOLERANCES, UNLESS OTHERWISE SPECIFIED)	DIAM. ISOLANTE (INS. DIA. RANGE)	RANGO FILO (WIRE RANGE)
± 0.3	---	---
ANGOLI (ANGLES)	SCALA (SCALE)	
± 2°	---	
DIS. (DR.)	DESCRIZIONE (DESCRIPTION)	
CONT. (CHK)	6 POS. SPLASH PROOF CONN. ASS'Y with SECONDARY LOCK	
APP. (CAP)	LOC. (LOC)	NUMERO (DWG NO)
	I A3	C-282236
	REV. (REV)	FOGLIO (SHEET)
	N	2 OF 2

DISTRIBUZIONE (PRINT DIST.)

单击下面可查看定价，库存，交付和生命周期等信息

[>>TE Connectivity\(泰科\)](#)