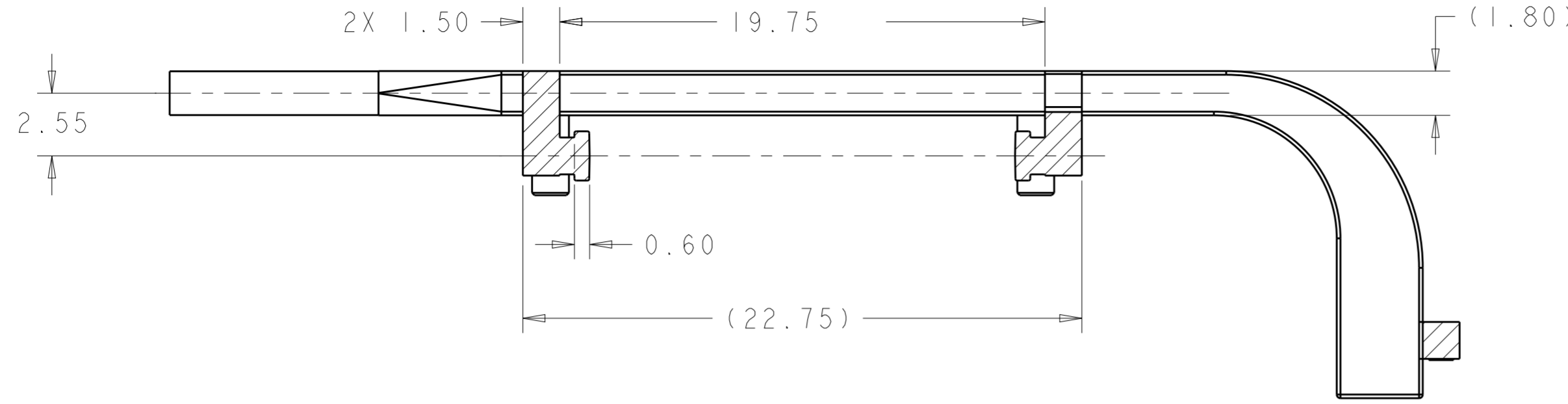


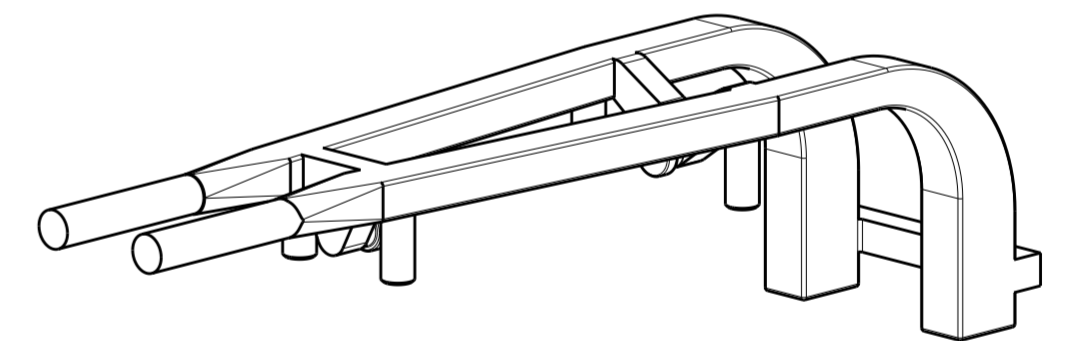
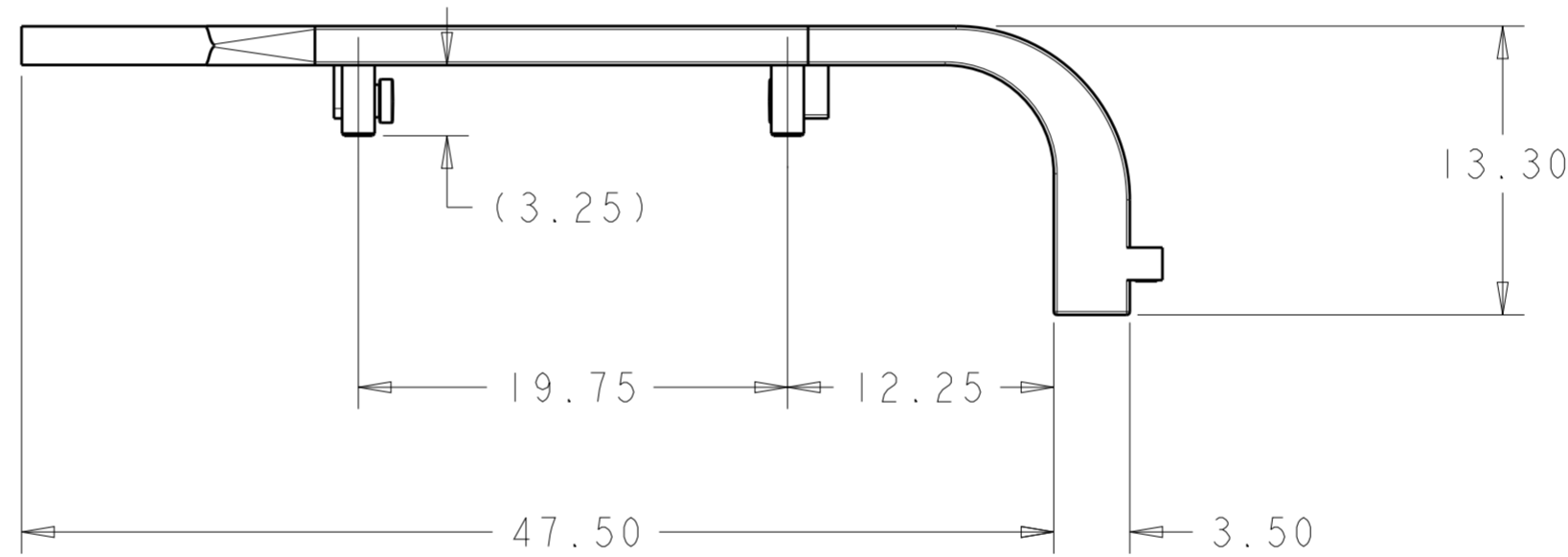
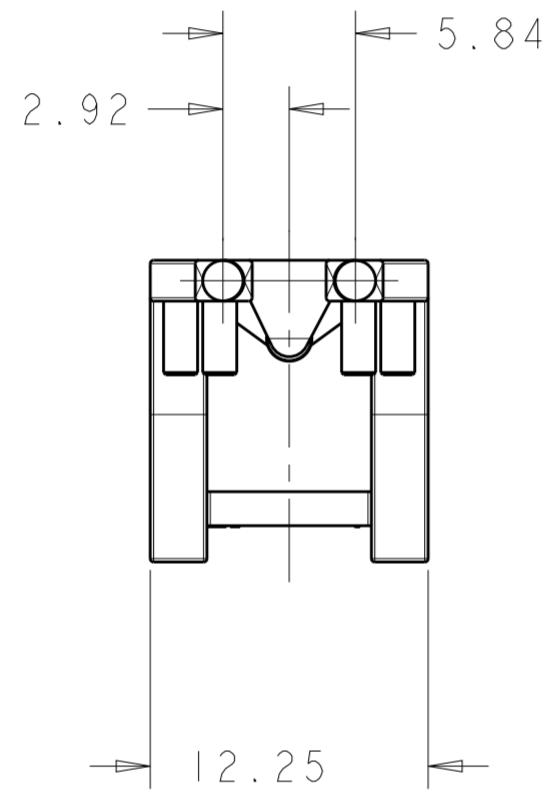
THIS DRAWING IS UNPUBLISHED. RELEASED FOR PUBLICATION  
 © COPYRIGHT copyright.d8re- ALL RIGHTS RESERVED.

LOC		DIST		REVISIONS			
P	LTR	DESCRIPTION	DATE	DWN	APVD		
	1	INITIAL	256AUG2014	PP	SH		

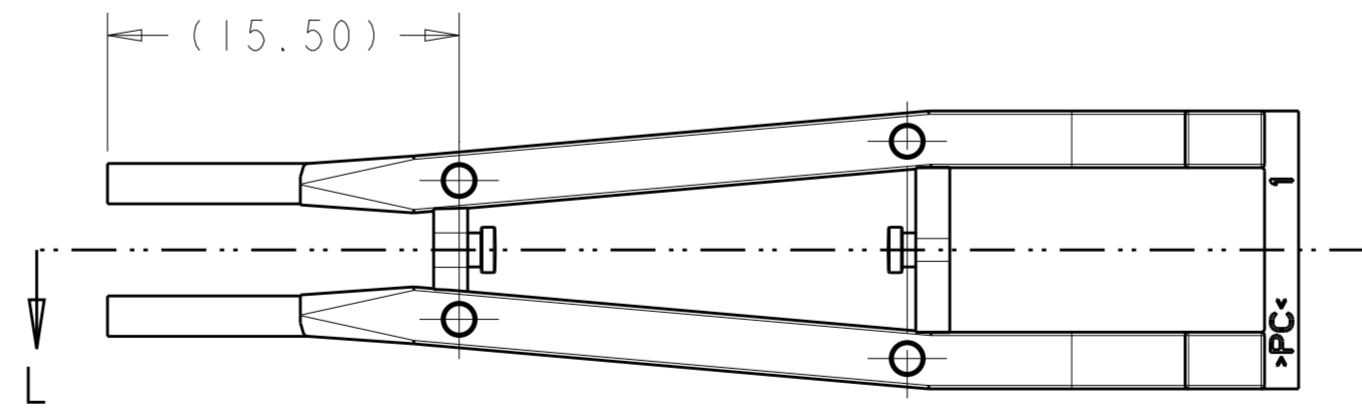


1. MATERIAL: POLYCARBONATE

SECTION L-L  
SCALE 5:1



2057500-1



2057500-1

PART  
NUMBER

THIS DRAWING IS A CONTROLLED DOCUMENT.		DWN	26AUG2014	TE Connectivity			
DIMENSIONS:		CHK	26AUG2014				
mm		APVD	26AUG2014				
		NAME	SFP+ LIGHT PIPE REDUCED LENGTH				
TOLERANCES UNLESS OTHERWISE SPECIFIED:		PRODUCT SPEC	-	SIZE	CAGE CODE	DRAWING NO	RESTRICTED TO
0 PLC	± -	APPLICATION SPEC	-	A2	100779	G-2057500	-
1 PLC	± 0.25	WEIGHT	-	SCALE 3:1		SHEET	OF
2 PLC	± 0.20	CUSTOMER DRAWING	-	REV			
3 PLC	± 0.15						
4 PLC	± -						
ANGLES	± 5°						
FINISH	-						

单击下面可查看定价，库存，交付和生命周期等信息

[>>TE Connectivity\(泰科\)](#)