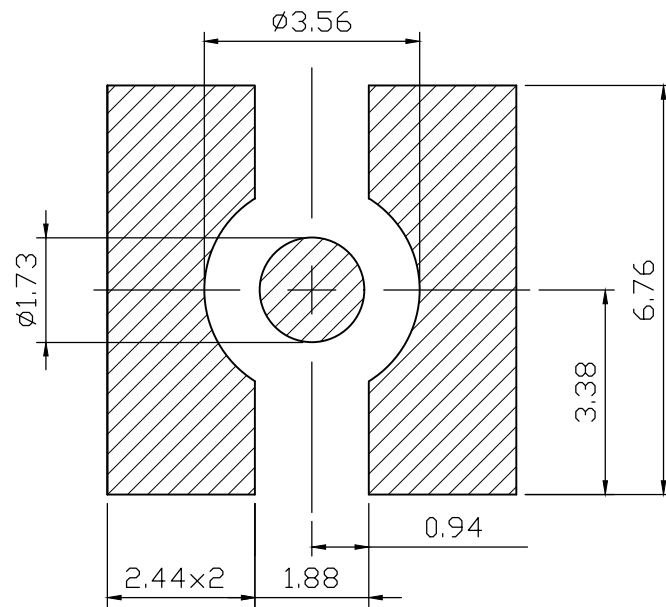
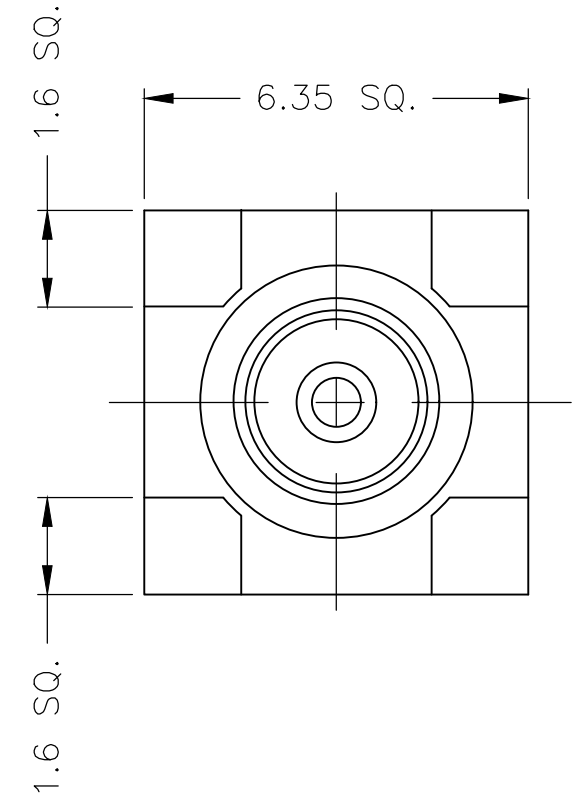
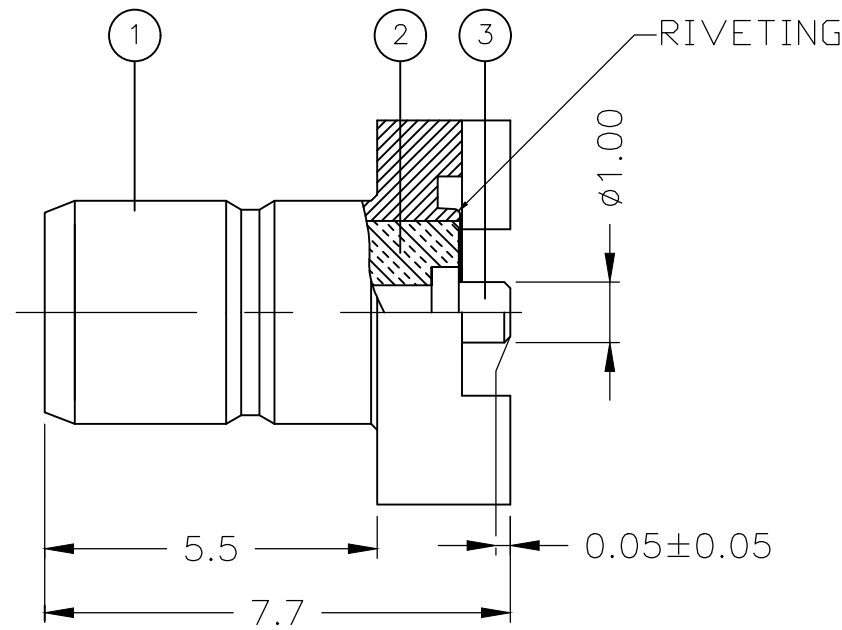


P	LTR	DESCRIPTION	DATE	DWN	APVD
	D1	REVISED PER ECR-20-013532	23SEP2020	ED	RS

NOTES:

- ① SINGLE PACKING: ONE CONNECTOR PER LABELED BAG PACKAGED. LABELED PER TEC-107-115
- ② TRAY PACKAGED
- ③ Au PLATING
- 4 ELECTRICAL CHARACTERISTICS
 - FREQUENCY RANGE: DC - 4 GHz
 - NOMINAL IMPEDANCE: 50 Ohm
 - INSULATION RESISTANCE: 1000 MOhm
 - WORKING VOLTAGE: 250 Volts RMS at Sea Level
 - DIELECTRIC WITHSTAND VOLTAGE: 750 Volts RMS Max
 - CONTACT RESISTANCE:
 - CENTRE CONTACT: 6.00 mOhm Max
 - OUTER CONTACT: 1.00 mOhm Max
- 5 MECHANICAL CHARACTERISTICS
 - DURABILITY: 500 Cycles Min
- 6 ENVIRONMENTAL CHARACTERISTICS
 - OPERATING TEMPERATURE: -65°C to +165°C



RECOMMENDED PCB LAYOUT

QTY	PLC	DESCRIPTION	MATERIAL	DESCRIPTION	ITEM
1	1	CONTACT	BRASS		3
1	1	INSULATION	PTFE		2
1	1	BODY	BRASS		1
6--0	1--0		MATERIAL	DESCRIPTION	ITEM
QUANTITY PER ASSY			PARTS LIST		

THIS DRAWING IS A CONTROLLED DOCUMENT.		DWN	J.SANDWELL	13FEB06	TE Connectivity			
		CHK	S.PARLOW	13FEB06				
		APVD	F.WHEELER-KING	13FEB06				
		PRODUCT SPEC						
DIMENSIONS: mm		TOLERANCES UNLESS OTHERWISE SPECIFIED:			SMB SURFACE MOUNT STRAIGHT PCB SOCKET 50 OHM			
		0 PLC	± -					
		1 PLC	± 0.2		SIZE	CAGE CODE	DRAWING NO	RESTRICTED TO
		2 PLC	± 0.1		A3	00779	C-1337604	
		3 PLC	± -		CUSTOMER DRAWING			
		4 PLC	± -		SCALE	NTS	SHEET	1 OF 1
MATERIAL		FINISH			REV D1			
SEE TABLE		-						

单击下面可查看定价，库存，交付和生命周期等信息

[>>TE Connectivity\(泰科\)](#)