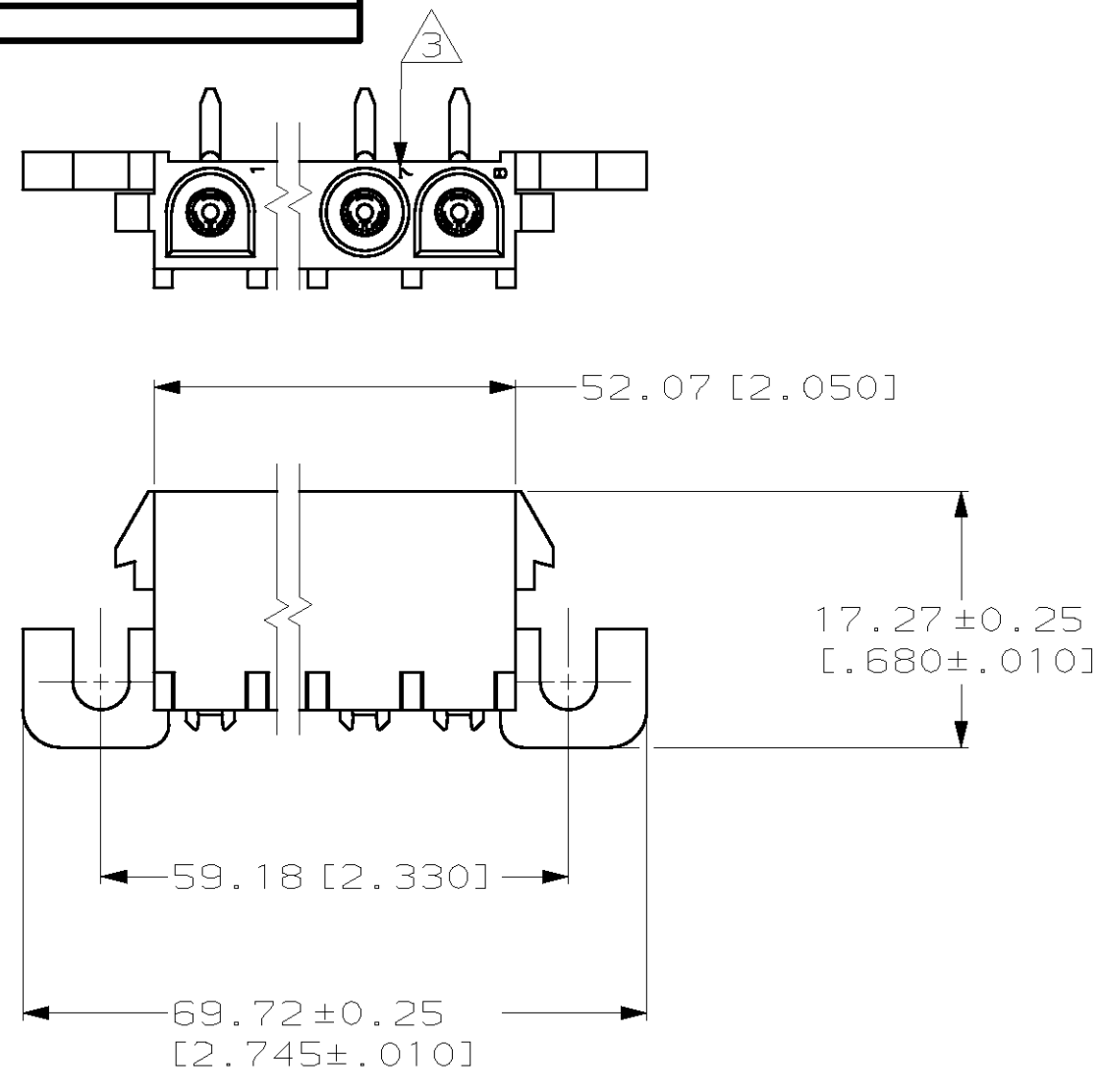
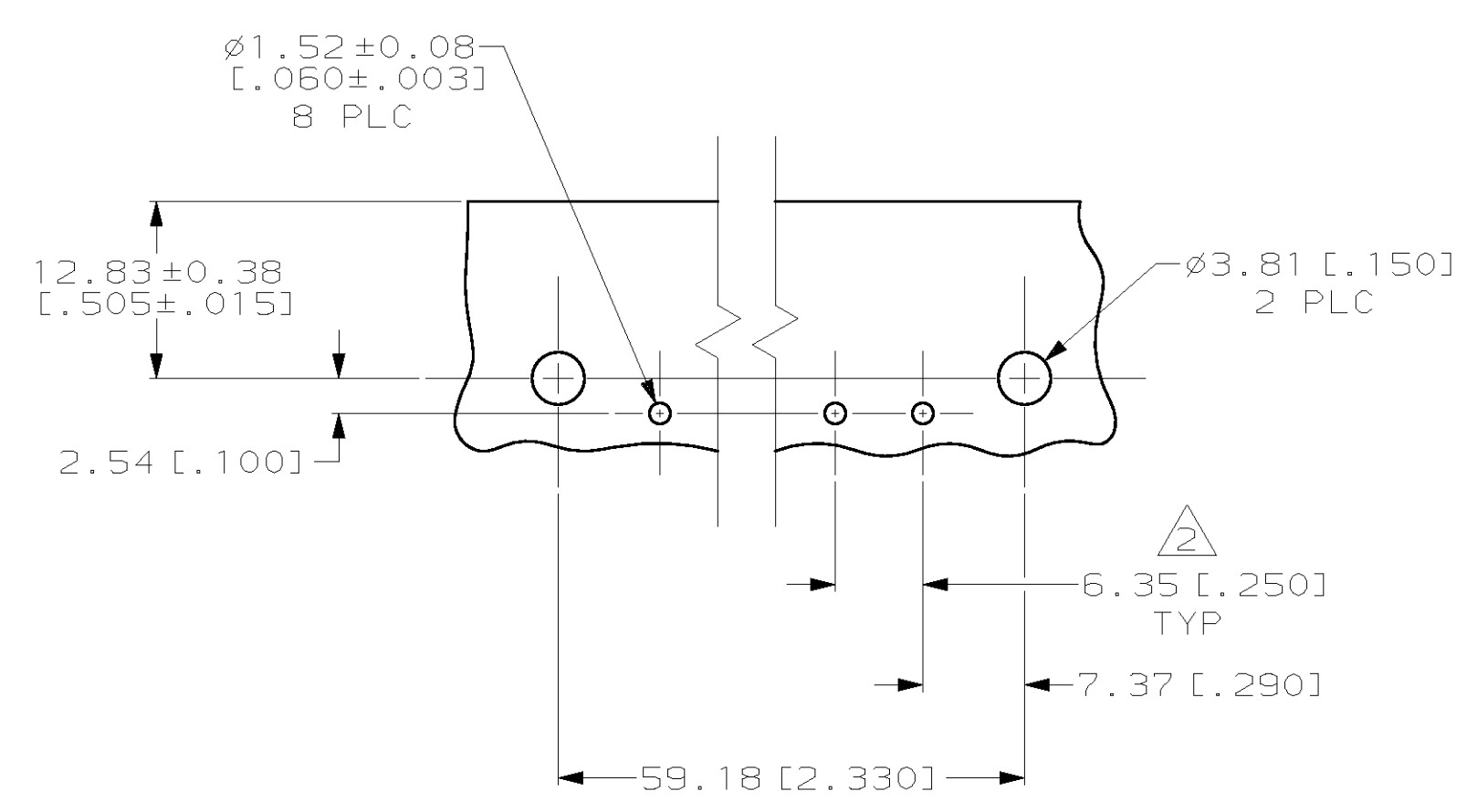
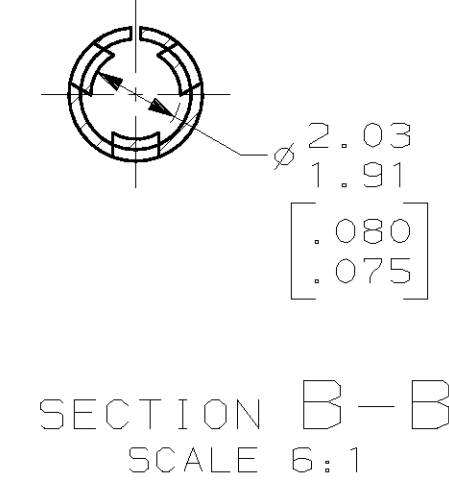
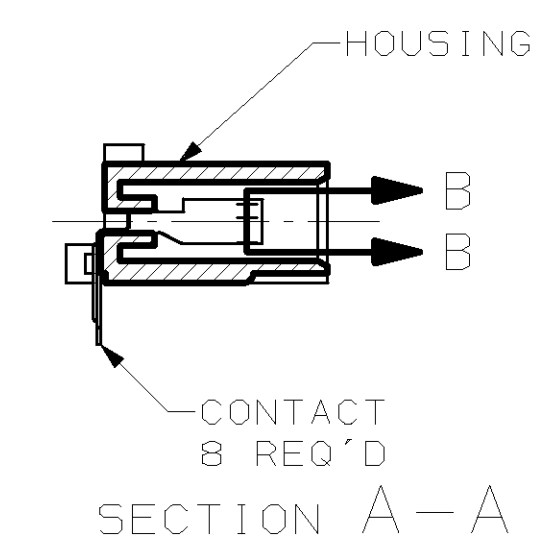
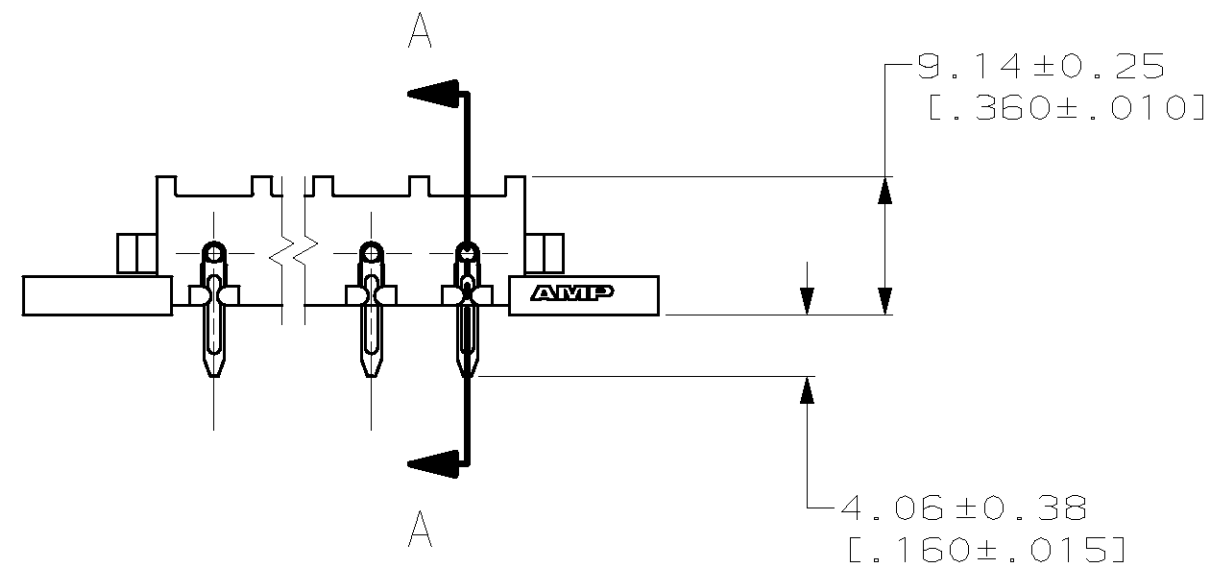


| REV. NO. | | REVISIONS | | |
|----------|-----|-------------------------|---------|-------|
| P | LTR | DESCRIPTION | DATE | APVD |
| D | | REV PER EC 061B-0127-98 | 6-24-98 | BL RS |



- PARTS MUST COMPLY WITH AMP SOLDERABILITY SPEC 109-11-5.
- TOLERANCE NON-CUMULATIVE.
- CIRCUIT IDENTIFICATION CHARACTERS ARE ADJACENT TO THE INDICATED CAVITIES, BUT LOCATION AND ORIENTATION MAY DIFFER FROM PRINT.



RECOMMENDED MOUNTING HOLE PATTERN FOR 1.57 [.062] THICK P.C. BOARD

METRIC

| | | |
|------------------|----------------|----------|
| PHOS BRZ PRE-TIN | NYLON, UL94V-2 | 643237-1 |
| CONTACT | HOUSING | PART NO |

| | | | |
|---|---|--|---|
| THIS DRAWING IS A CONTROLLED DOCUMENT FOR AMP INCORPORATED. IT IS SUBJECT TO CHANGE AND THE CONTROLLING ENGINEERING ORGANIZATION SHOULD BE CONTACTED FOR THE LATEST REVISION. | | DWN: R. VESTAL 7-19-95 CHK: R. SWING 7-19-95 APVD: D. SELF 7-19-95 | AMP AMP Incorporated Harrisburg, PA 17105-3608 |
| DIMENSIONS: mm [INCHES] | TOLERANCES UNLESS OTHERWISE SPECIFIED: 0 PLC ±- 1 PLC ±- 2 PLC ±0.13 [.005] 3 PLC ±- 4 PLC ±- ANGLES ±0°30' FINISH SEE TABLE | PRODUCT SPEC: - APPLICATION SPEC: - WEIGHT: - CUSTOMER DRAWING | NAME: SOCKET HEADER ASSEMBLY, RIGHT ANGLE MOUNT, 8 POSITION, UNIVERSAL MATE-N-LOK™ SIZE: A2 CAGE CODE: 00779 DRAWING NO: C-643237 SCALE: 2:1 SHEET 1 OF 1 REV D |

单击下面可查看定价，库存，交付和生命周期等信息

[>>TE Connectivity\(泰科\)](#)