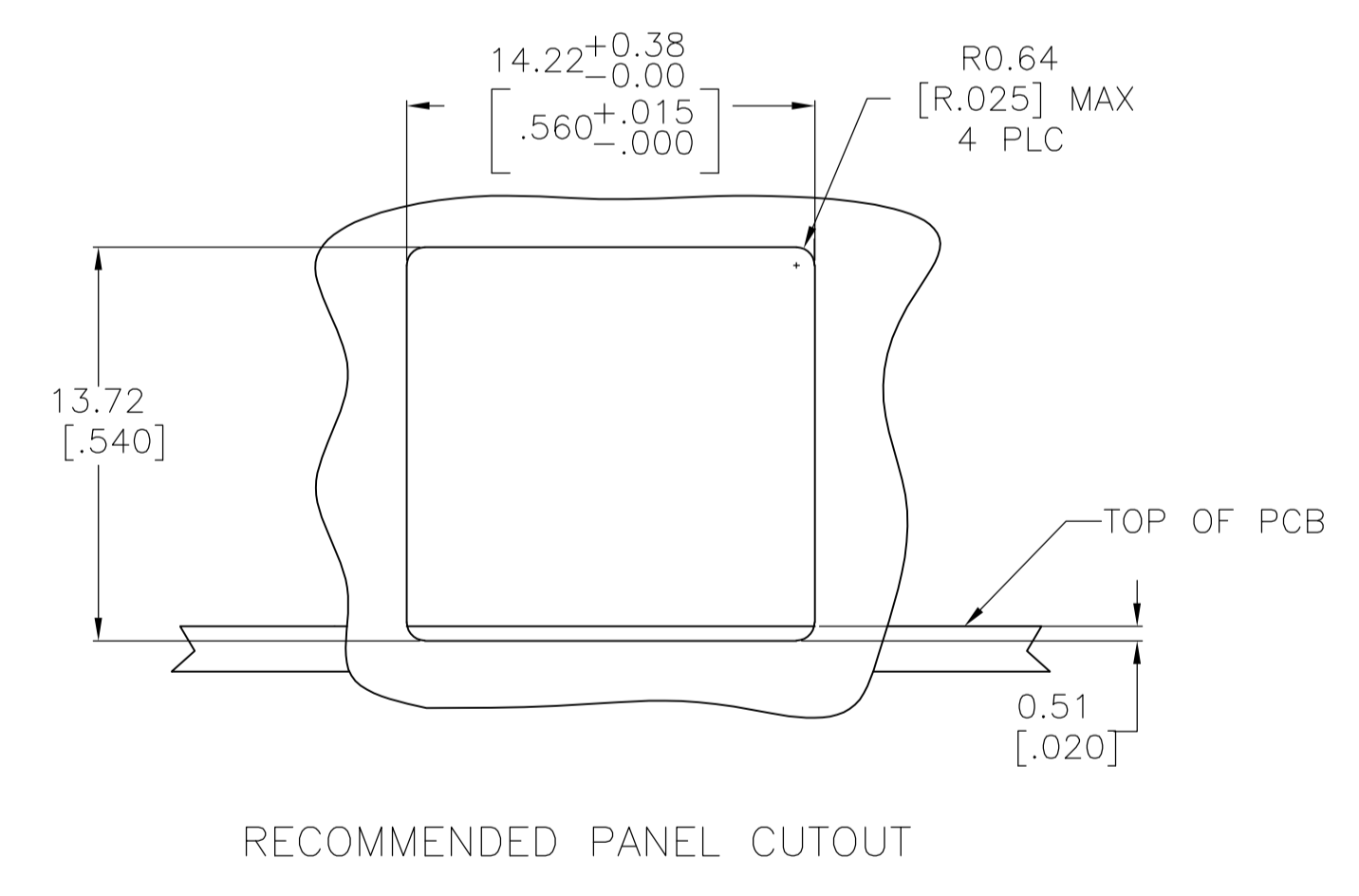
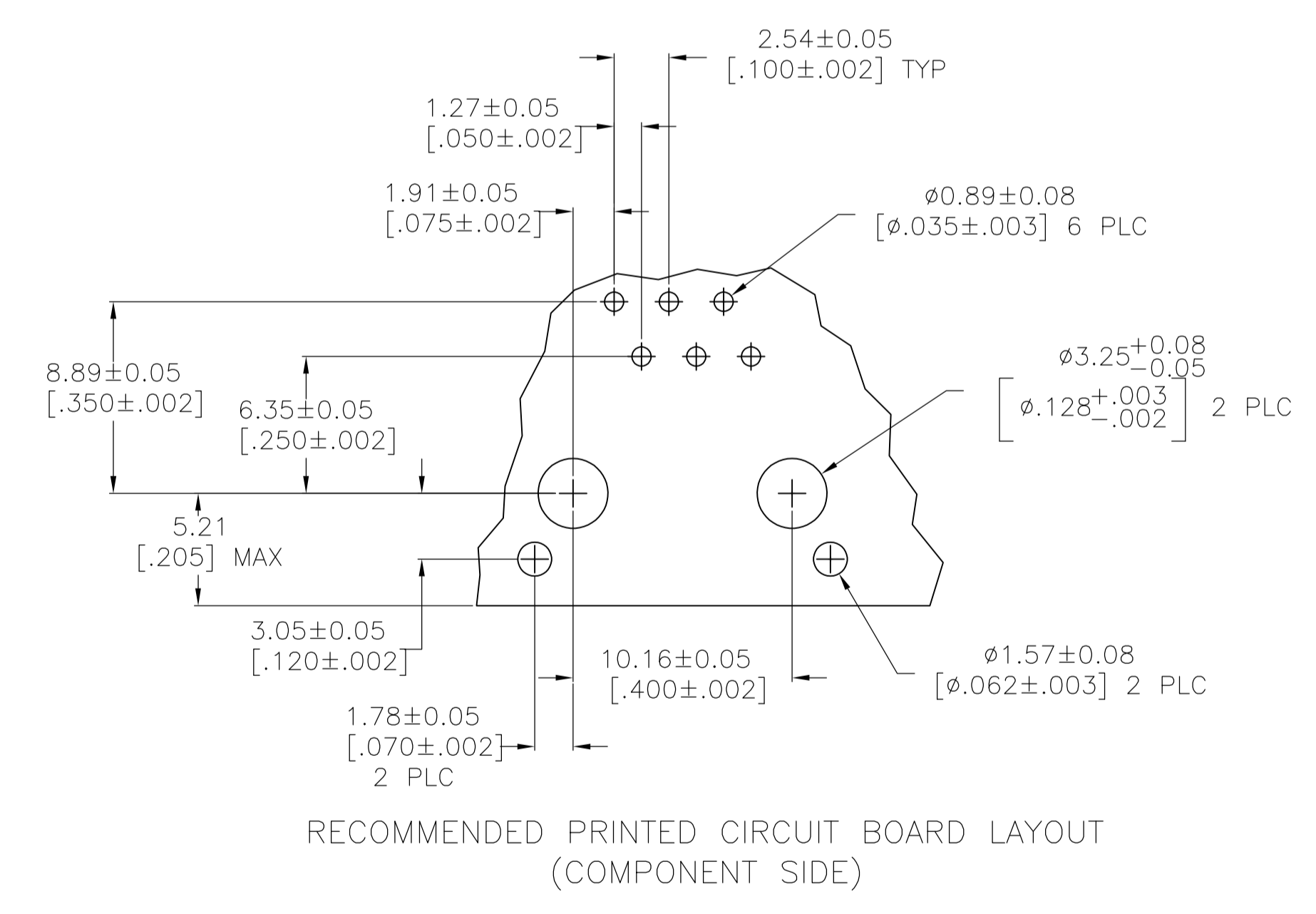


- MATERIAL: HOUSING - HTN NYLON, COLOR: BLACK
 TERMINAL - 0.36[.014] THICK PHOS-BRONZE PLATED WITH 1.27 μ m[.000050] MINIMUM THICK HARD GOLD IN LOCALIZED GOLD PLATE AREA AND 3.81 μ m[.000150] MINIMUM THICK MATTE TIN IN SOLDER AREA OVER 1.27 μ m[.000050] MINIMUM THICK NICKEL UNDERPLATE.
 SHIELD - 0.25[.010] THICK COPPER ALLOY, PLATED WITH 3.0 μ m[.000120] MINIMUM REFLOWED TIN
- $\triangle 2$ JACK CAVITY CONFORMS TO FCC RULES AND REGULATIONS PART 68, SUBPART F.
 - $\triangle 3$ DIMENSION MEASURED ALONG FRONT EDGE OF MATING FACE



| | |
|--------------|-------------|
| YES | 5406435-2 |
| NO | 5406435-1 |
| PANEL GROUND | PART NUMBER |

| | | | | | |
|--|--|-----------------------------------|--|--|--|
| THIS DRAWING IS A CONTROLLED DOCUMENT. | | DIN J. ALCORTA - DOCK 5 09JUN2005 | | Tyco Electronics Corporation Harrisburg, PA 17105-3608 | |
| DIMENSIONS: mm [INCHES] | | CIR J. WESTMAN 09JUN2005 | | NAME S. FLICKINGER 09JUN2005 | |
| TOLERANCES UNLESS OTHERWISE SPECIFIED: | | PRODUCT SPEC | | MODULAR JACK ASSEMBLY, SHIELDED, 6 POSITION, LOW PROFILE, RIGHT ANGLE, PRINTED CIRCUIT BOARD GROUND WITH PANEL STOPS | |
| 0 PLC ± - | | 108-1163 | | APPLICATION SPEC | |
| 1 PLC ± - | | 114-2048 | | SIZE 114-2048 | |
| 2 PLC ± - | | CUSTOMER DRAWING | | SCALE 4:1 | |
| 3 PLC ± .005 | | WEIGHT - | | SHEET 1 OF 1 | |
| 4 PLC ± - | | SEE NOTE 1 | | REV D | |
| ANGLES ± - | | SEE NOTE 1 | | REV D | |

单击下面可查看定价，库存，交付和生命周期等信息

[>>TE Connectivity\(泰科\)](#)