

DRAWING MADE IN THIRD ANGLE PROJECTION

3

2

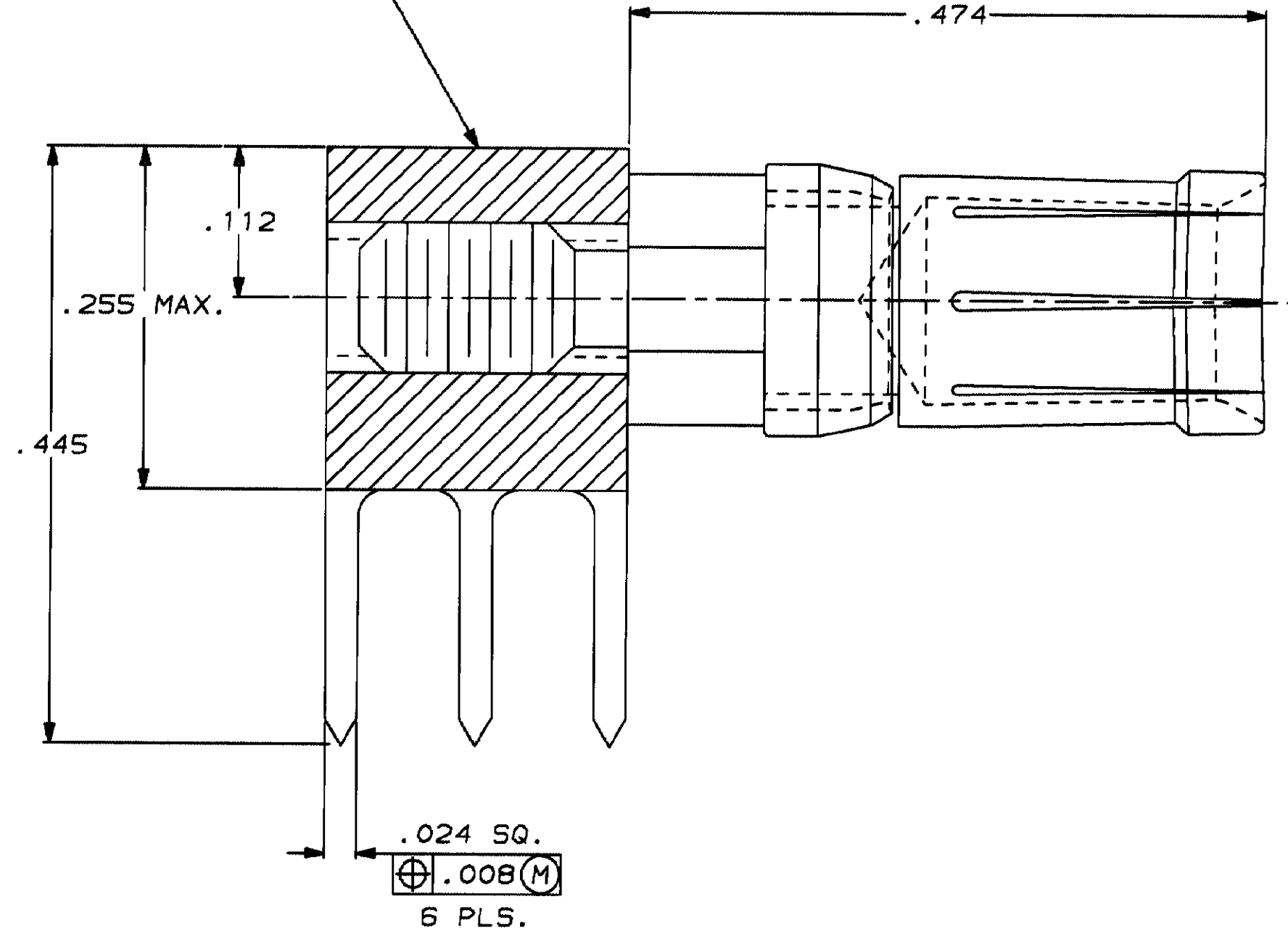
1

THIS DRAWING IS UNPUBLISHED. RELEASED FOR PUBLICATION, 19
 © COPYRIGHT 19 BY AMP INCORPORATED, HARRISBURG, PA. ALL INTERNATIONAL RIGHTS RESERVED. AMP PRODUCTS MAY BE COVERED BY U.S. AND FOREIGN PATENTS AND/OR PATENTS PENDING.

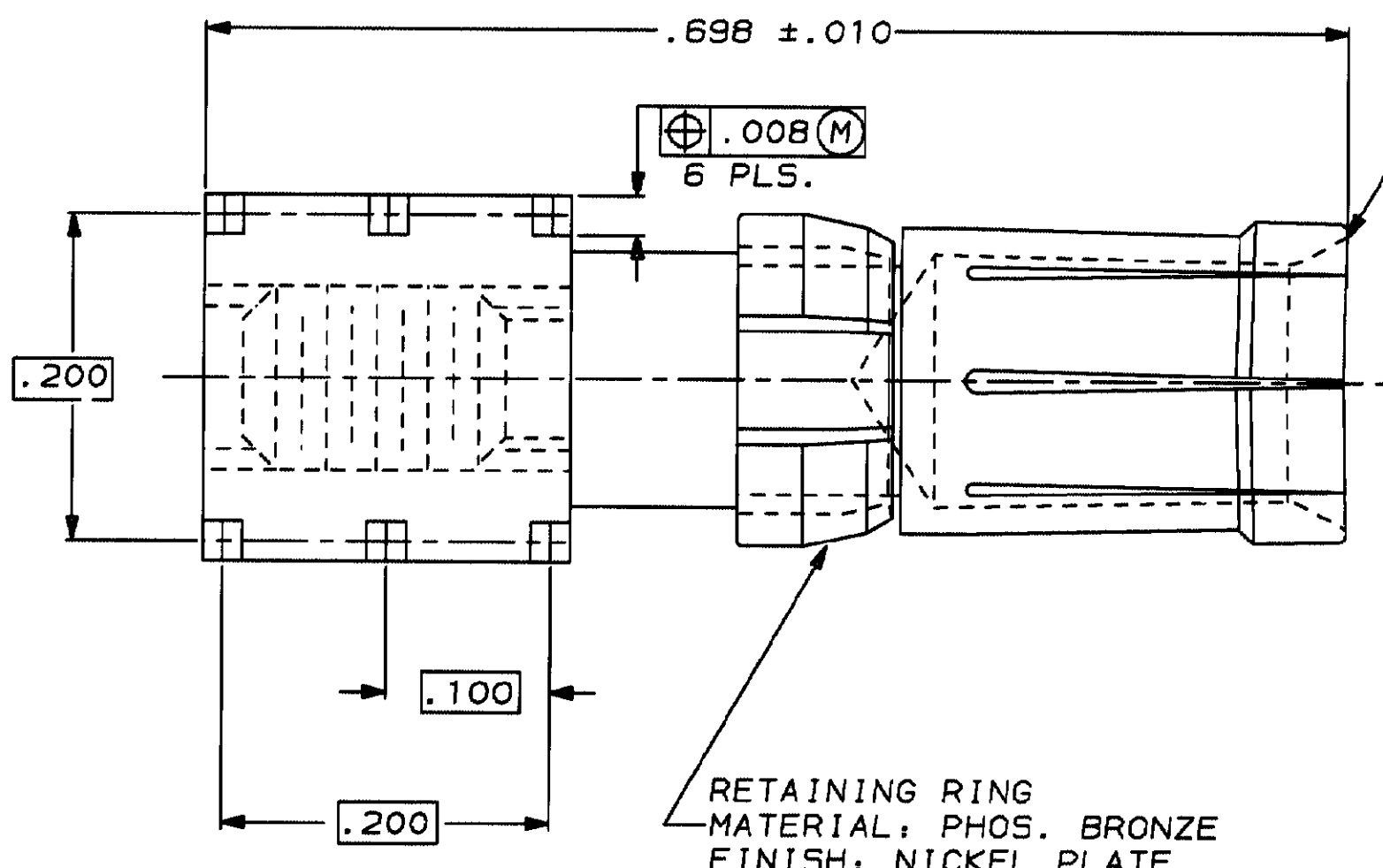
LOC AD	DIST	P	F	REVISIONS				
				ZONE	LTR	DESCRIPTION	DATE	APPROVED
	25			B		ECN AB1530, REDRAWN	8/8/86	RKS
				C		ECN AD2246	1/21/88	DLH
				D		ECN AD2557		DLH
				D1		SUPERSEDES #534137 ECN AD2665	7/11/88	DLH
				E		REV. PER ECN. AD5734	08/09/91	TH

SOCKET BASE
 MATERIAL: COPPER ALLOY, CA 360
 FINISH: $\triangle 2$ $\triangle 3$

- $\triangle 1$ CONTACT FINISH: .000030 GOLD PLATE OVER .000050 THK. NICKEL UNDERPLATE.
- $\triangle 2$ SOCKET BASE FINISH: GOLD FLASH OVER .000050 NICKEL UNDERPLATE.
- $\triangle 3$ SOCKET BASE FINISH: .000150 MATTE TIN-LEAD OVER .000050 NICKEL UNDERPLATE.



SOCKET CONTACT
 MATERIAL: BERYLLIUM COPPER, CA 173
 FINISH: $\triangle 1$



RETAINING RING
 MATERIAL: PHOS. BRONZE
 FINISH: NICKEL PLATE

$\triangle 1$ $\triangle 3$	532823-2
$\triangle 1$ $\triangle 2$	532823-1
FINISH	PART NUMBER

UNLESS OTHERWISE SPECIFIED DIMENSIONS ARE IN INCHES TOLERANCES ON:		DR 1/19/88 D. HOFFMAN		AMP INCORPORATED Harrisburg, Pa. 17105	
2 PL DEC ± -		CHK 01/23/92 J.D. WEARY			
3 PL DEC ± .005		APPD 01/23/92 J.D. WEARY		NAME	
ANGLES ± -		APPD 01/23/92 J.D. WEARY		RECEPTACLE ASSEMBLY, POWER CONTACT, HDi	
MATERIAL		PRODUCT SPEC		SIZE	
				C	
FINISH		APPLICATION SPEC		FSCM NO	
$\triangle 1$ $\triangle 2$ $\triangle 3$				00779	
		WEIGHT		DRAWING NO	
				532823	
				SCALE 10:1	
				SHEET 1 of 1	

单击下面可查看定价，库存，交付和生命周期等信息

[>>TE Connectivity\(泰科\)](#)