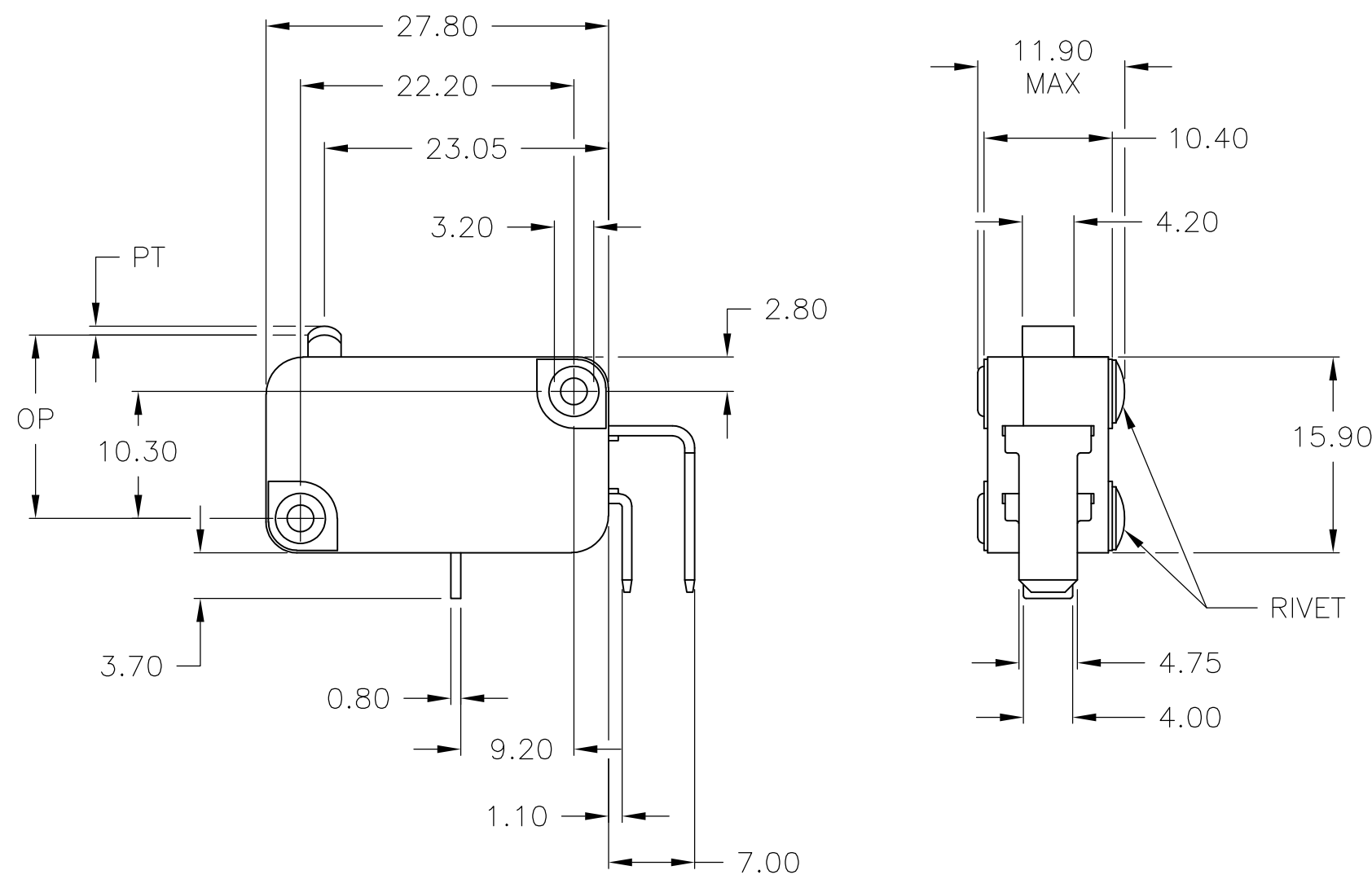


THIS DRAWING IS UNPUBLISHED. RELEASED FOR PUBLICATION
 © COPYRIGHT - By - ALL RIGHTS RESERVED.

LOC	DIST	REVISIONS					
AD	00	P	LTR	DESCRIPTION	DATE	DWN	APVD
			A1	REVISED PER ECO-12-020403	21NOV12	KH	PO




SPECIFICATIONS:

- MATERIAL OF BASE: P.B.T.
- MATERIAL OF COVER: P.B.T.
- RATING: 10A 250VAC MAX
- INSULATION RESISTANCE: 100M MIN(@500 VDC)
- DIELECTRIC STRENGTH: 2000 VAC FOR 60 SECONDS
- OF: 200g MAX
- RF: 50g MIN
- PT: 1.4mm MAX
- OT: 0.8mm MIN
- MD: 0.5mm MAX
- FP: 15.7mm MAX
- OP: 14.7±0.5mm

NOTE:
 1. PARTS TO BE RoHS COMPLIANT

1517266-1
 PART NUMBER

THIS DRAWING IS A CONTROLLED DOCUMENT.		DWN	KIRAN HOLAL	07DEC11	 TE Connectivity	NAME		MICRO SWITCH					
DIMENSIONS: mm		CHK	OTT PETER	07DEC11		PRODUCT SPEC		-					
TOLERANCES UNLESS OTHERWISE SPECIFIED:		APVD	OTT PETER	07DEC11		APPLICATION SPEC		-					
0 PLC ± - 1 PLC ± - 2 PLC ± 0.20 3 PLC ± - 4 PLC ± - ANGLES ± -		MATERIAL		FINISH		-		-					
-		-		-		WEIGHT	-		-				
-		-		-		CUSTOMER DRAWING		SCALE	2:1	SHEET	1 OF 1	REV	A1

单击下面可查看定价，库存，交付和生命周期等信息

[>>TE Connectivity\(泰科\)](#)