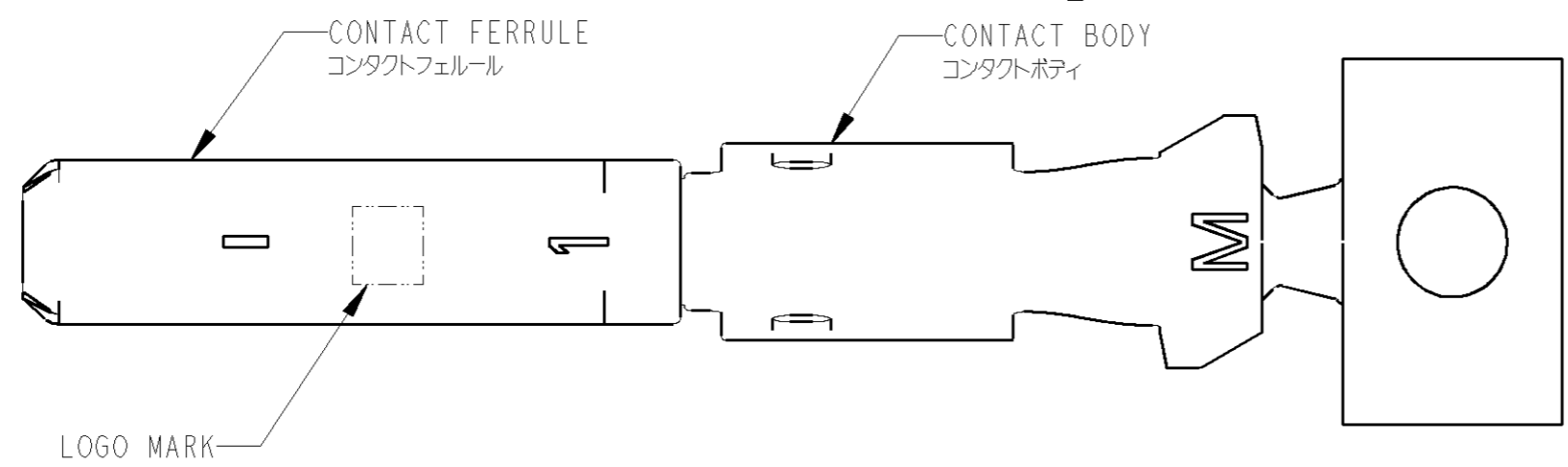
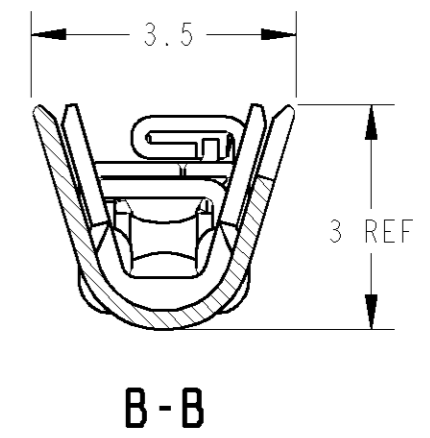
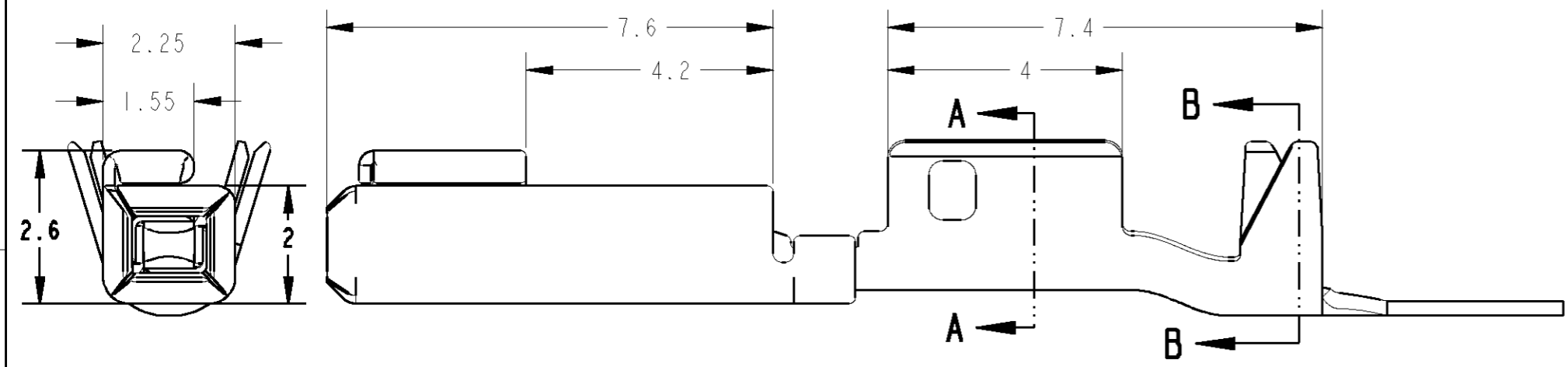
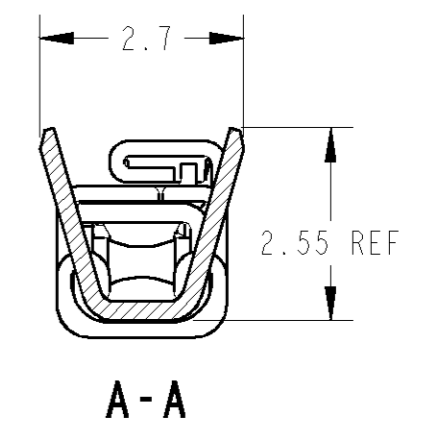
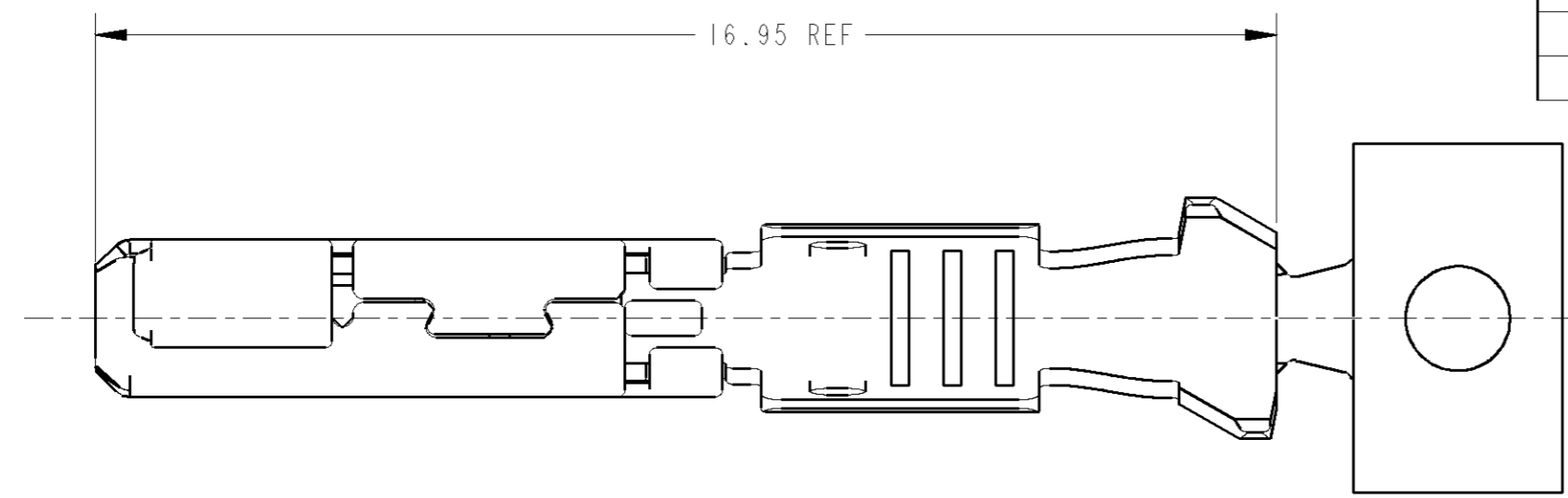


THIS DRAWING IS UNPUBLISHED. RELEASED FOR PUBLICATION  
 © COPYRIGHT 20 BY TYCO ELECTRONICS CORPORATION. ALL RIGHTS RESERVED.

LOC	DIST	REVISIONS						
J	-	P	LTR	DESCRIPTION	ECN	DATE	DWN	APVD
			A	REVISED	FJA0-0060-04	26-Jan-04	Y.N	Y.F
			B	REVISED	ECR-10-005857	13MAY10	SF	KB



I. APPLICATOR FEED: 9mm  
 I. アプリケータ送りピッチ: 9mm

BRASS PRE-TIN	COPPER ALLOY PRE-TIN	1318332-1
CONTACT FERRULE コンタクトフェルル	CONTACT BODY コンタクトボディ	AMP PART NUMBER
MATERIAL / FINISH 材料 / 仕上		

WIRE RANGE 包合電線断面積	0.75~1.25mm <sup>2</sup>	INSULATION DIA 被覆外径	φ1.6~2.2
DWN Y.FUJIWALA 180CT99		Tyco Electronics JAPAN G.K. Kawasaki, Japan	
CHK K.ODA 190CT99		NAME 名称	
APVD K.ODA 190CT99		REC CONTACT ASSY M RANGE CLEAN BODY 040 CONNECTOR	
SIZE	A3	CAGE CODE	00779
DRAWING NO 番号	C=1318332		RESTRICTED TO
WEIGHT	0.31g	SCALE 尺度	10:1
CUSTOMER DRAWING		SHEET	1 OF 1
		REV	B

DIMENSIONS: 単位: 概 mm		TOLERANCES UNLESS OTHERWISE SPECIFIED: 一般公差 = ± 0.2	
		0 PLC	±
		1 PLC	±0.1
		2 PLC	±0.05
		3 PLC	±0.025
MATERIAL 材料		FINISH 仕上	
COPPER ALLOY		SEE TABLE	

单击下面可查看定价，库存，交付和生命周期等信息

[>>TE Connectivity\(泰科\)](#)