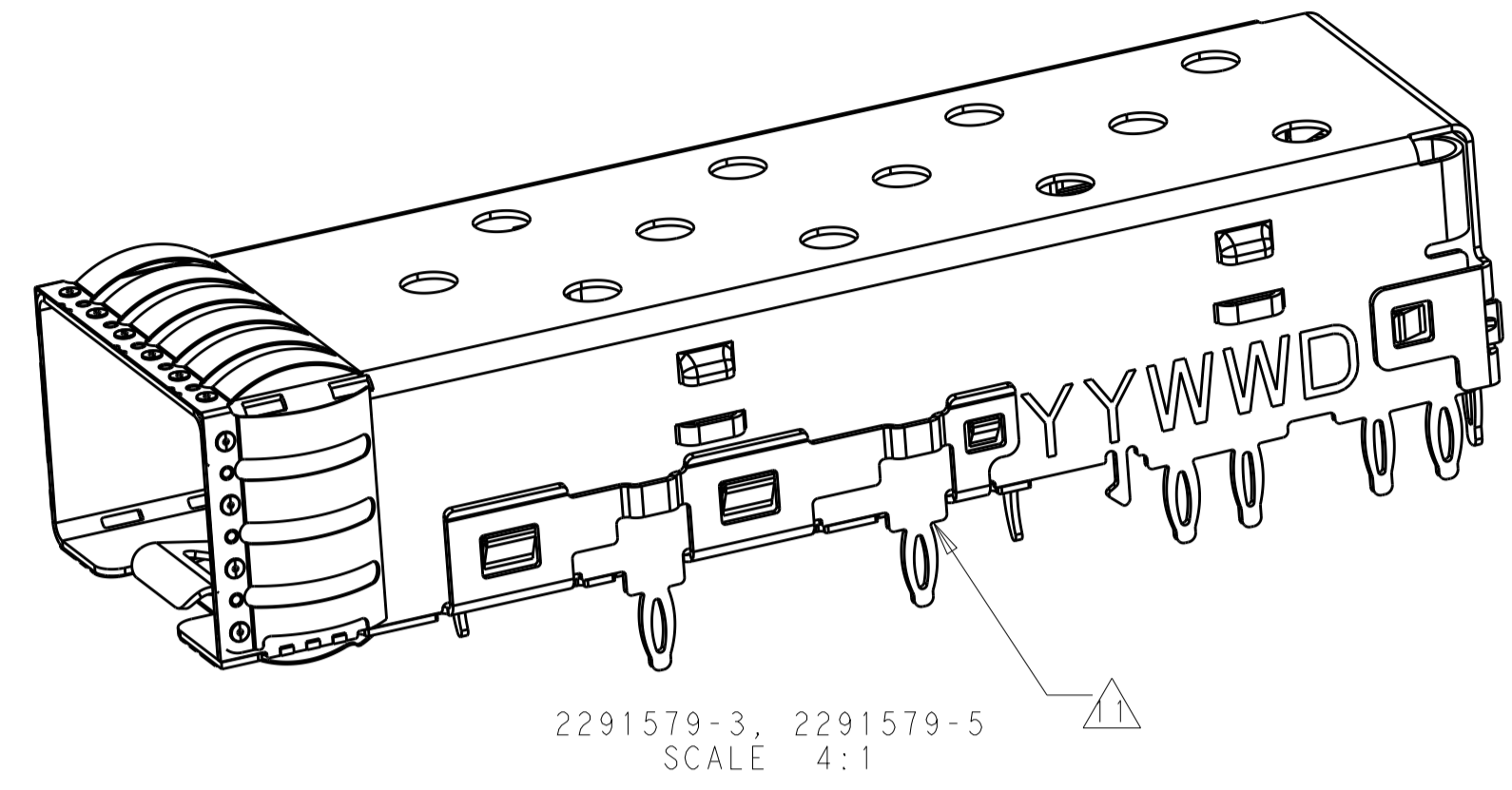
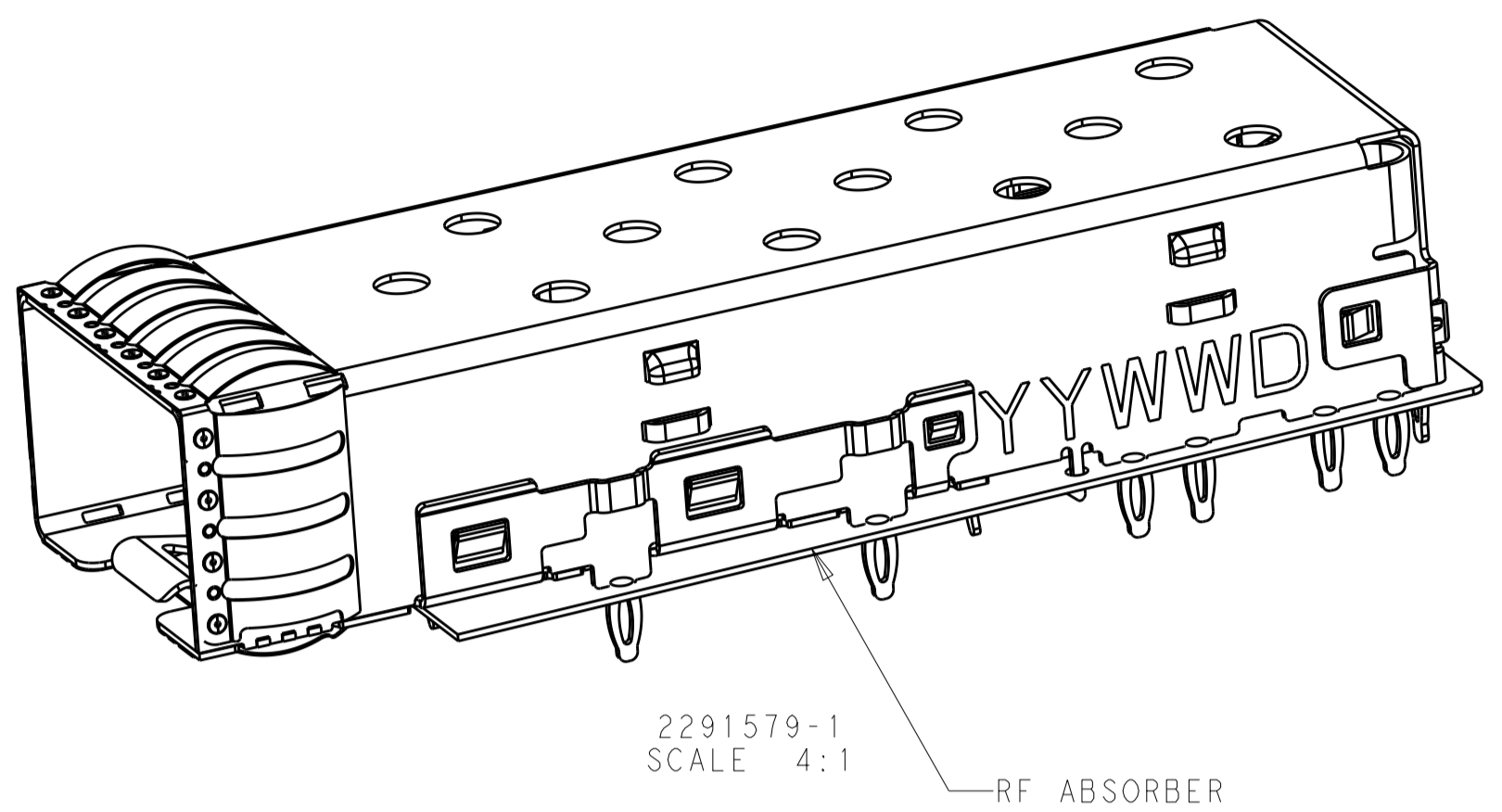
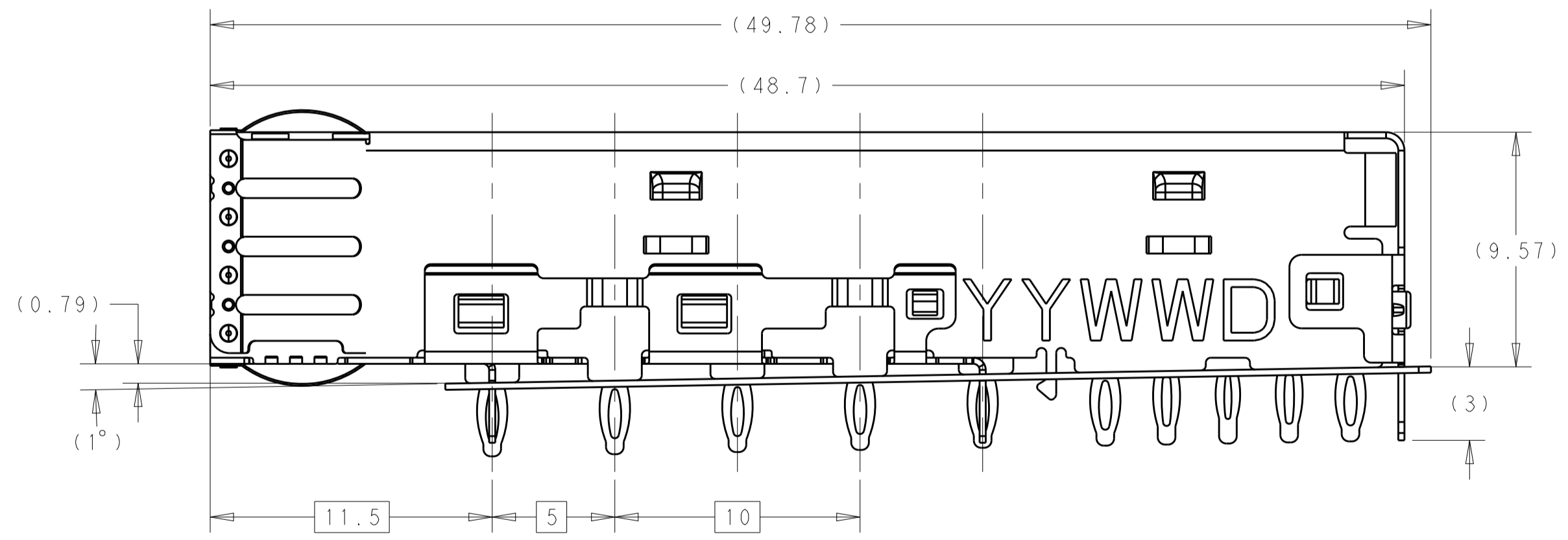
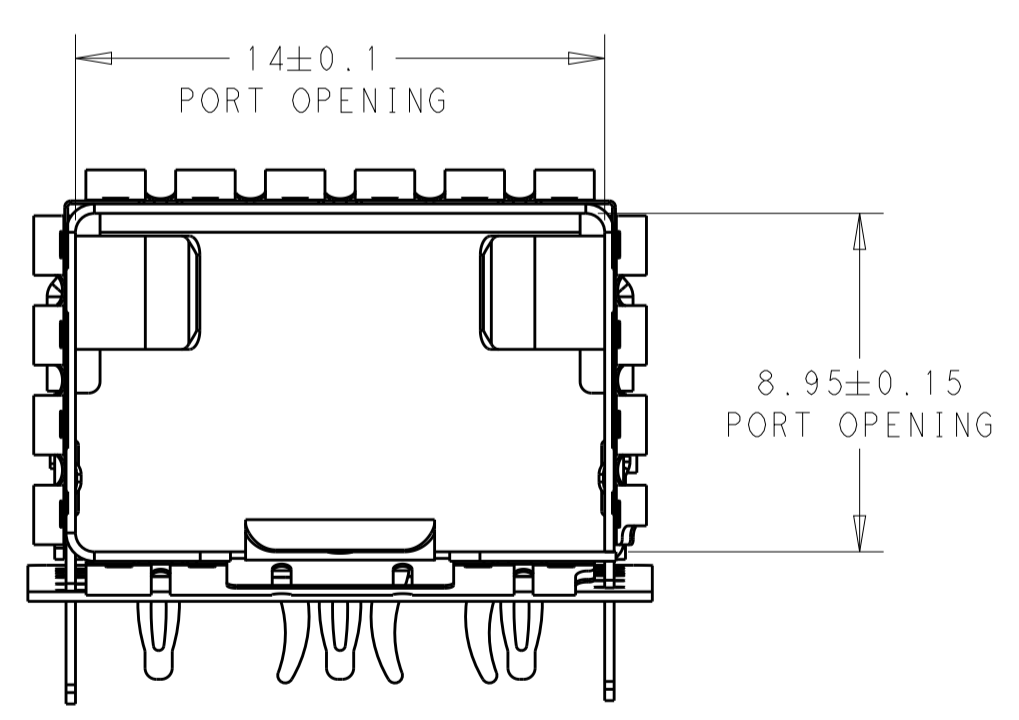
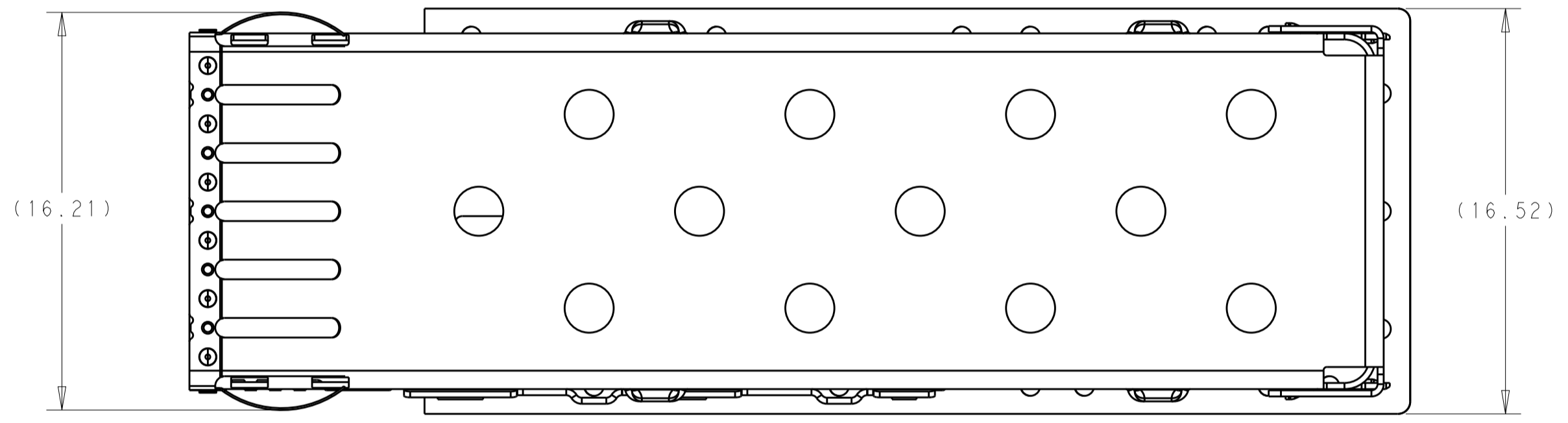


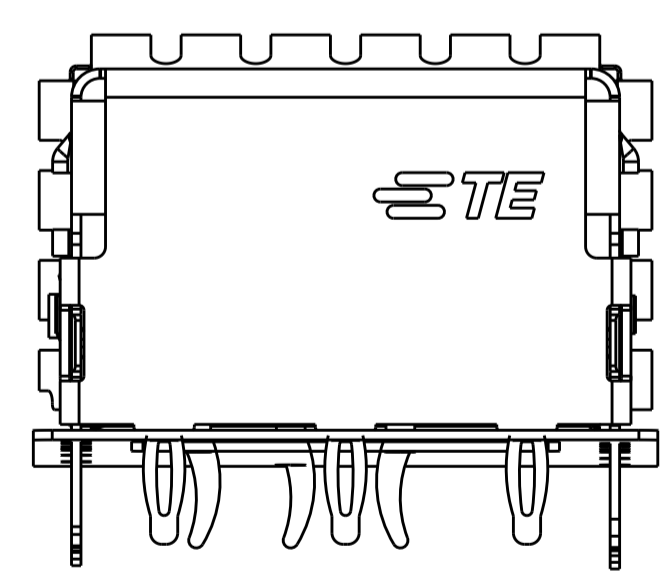
REVISIONS				
P.	LTN.	DESCRIPTION	DATE	APPROV.
A		INITIAL RELEASE	28SEP2016	LL SH
B		ECR-17-018368 / ADD PN -5	18DEC2017	VL SH



- 1 MATERIAL:  
 CAGE ASSEMBLY - 0.25mm THICK NICKEL SILVER ALLOY.  
 EMI SPRINGS - COPPER ALLOY.  
 PCB GASKET - RF ABSORBER.
- 2 FINISH  
 EMI SPRINGS - 0.8um MIN NICKEL, NON-PLATED EDGES PERMISSIBLE.
- 3. MATES WITH SFP MSA COMPLIANT TRANSCEIVERS.
- 4 PADS AND VIAS CHASSIS GROUND.
- 5 DATUM AND BASIC DIMENSION ESTABLISHED BY CUSTOMER.
- 6 REFERENCE APPLICATION SPEC. 114-13120, HOLE A, FOR RECOMMENDED DRILL HOLE DIAMETER AND PLATING THICKNESS.
- 7 REFERENCE APPLICATION SPEC. 114-13120, HOLE B, FOR RECOMMENDED DRILL HOLE DIAMETER AND PLATING THICKNESS.
- 8 REFERENCE APPLICATION SPEC. 114-13120, HOLE C, FOR RECOMMENDED DRILL HOLE DIAMETER AND PLATING THICKNESS.
- 9. MINIMUM PC BOARD THICKNESS:  
 SINGLE SIDED = 1.50mm
- 10. CONTACT STANDOFF WILL PIERCE GASKET WHEN PROPERLY PRESSED INTO PCB.
- 11 SPECIAL CUSTOMER APPLICATION, NO RF ABSORBER.



SCALE 5:1



SMT TRAY	NO	2291579-5
TRAY	NO	2291579-3
TRAY	YES	2291579-1
PACKAGE	W/ RF ABSORBER	PART NUMBER

THIS DRAWING IS A CONTROLLED DOCUMENT.		OWN: WINDY LIU 13MAR2016	TE Connectivity NAME: 2SFP+ 1X1 CAGE ASSEMBLY, PRESS-FIT PCI, EMI SPRINGS PRODUCT SPEC: 108-2364 APPLICATION SPEC: 114-13120 SIZE: CAGE CODE DRAWING NO: A100779C=2291579 RESTRICTED TO: -
DIMENSIONS: mm		CHK: SEAN HAN 13MAR2016	
TOLERANCES UNLESS OTHERWISE SPECIFIED:		APPR: SEAN HAN 13MAR2016	
0 PLC ±0.1 1 PLC ±0.1 2 PLC ±0.1 3 PLC ±0.05 4 PLC ±0.05 ANGLES ±0.05		WEIGHT: -	
MATERIAL: 1	FINISH: 2	CUSTOMER DRAWING SCALE 2:1 SHEET 1 OF 2 REV B	



单击下面可查看定价，库存，交付和生命周期等信息

[>>TE Connectivity\(泰科\)](#)