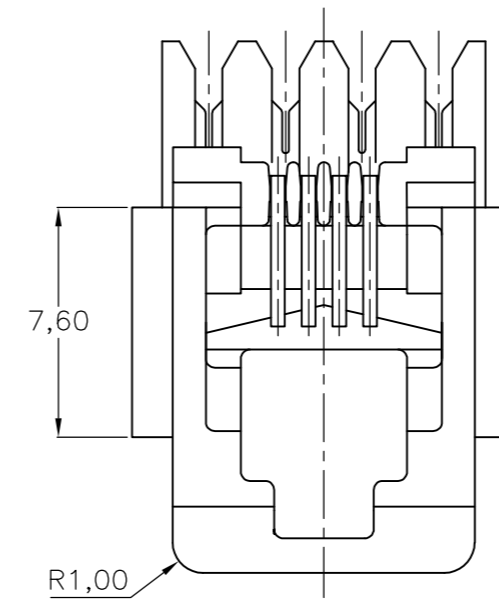
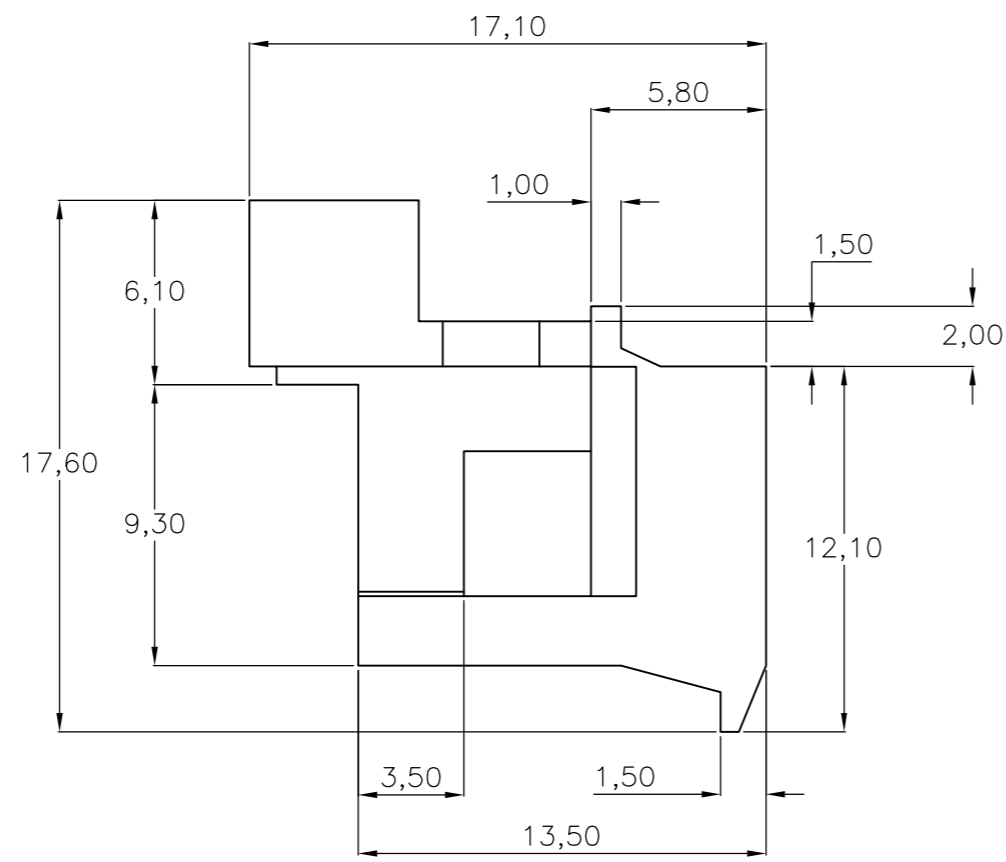
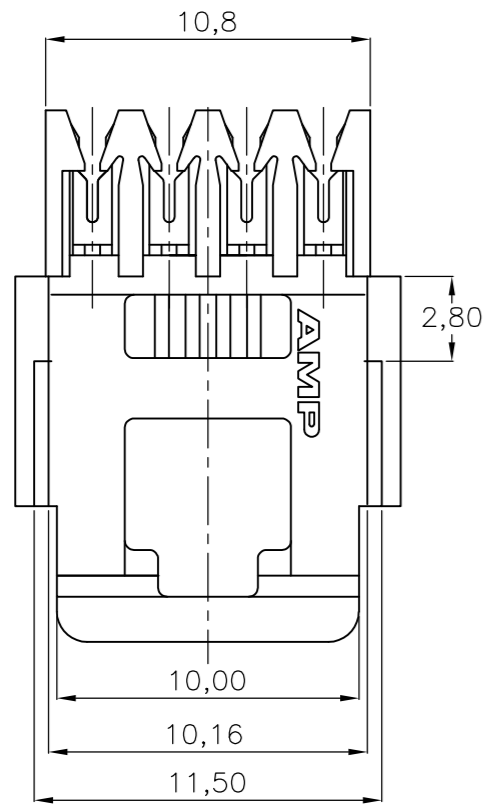
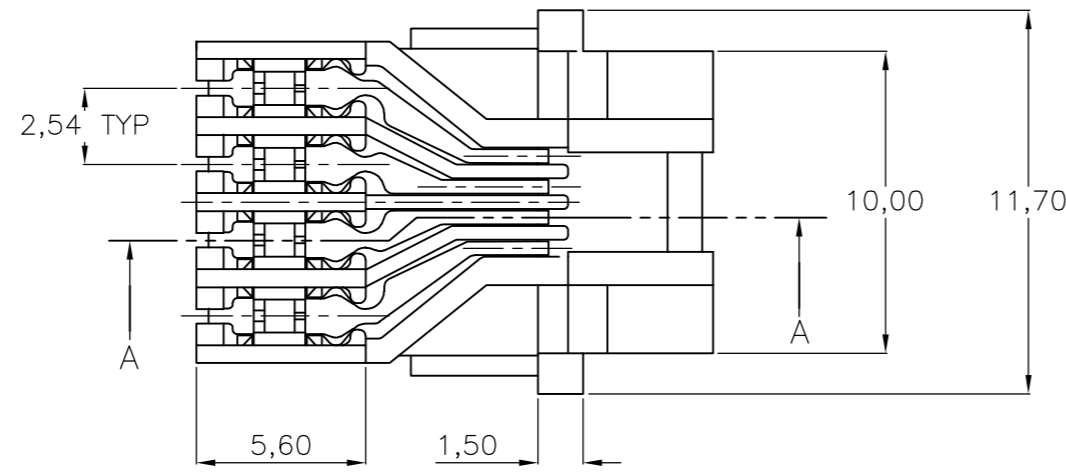


THIS DRAWING IS UNPUBLISHED. RELEASED FOR PUBLICATION
 © COPYRIGHT BY TYCO ELECTRONICS CORPORATION. ALL INTERNATIONAL RIGHTS RESERVED.

LOC	DIST	REVISIONS					
		P	LTR	DESCRIPTION	DATE	DWN	APVD
H	-	M		EH-0176-98	10-02-98	EVE	-
		N		ECR-06-013127	31-05-06	MO	-
		N1		ECR-08-012368	30-07-08	AEG	WRV

NOTES:

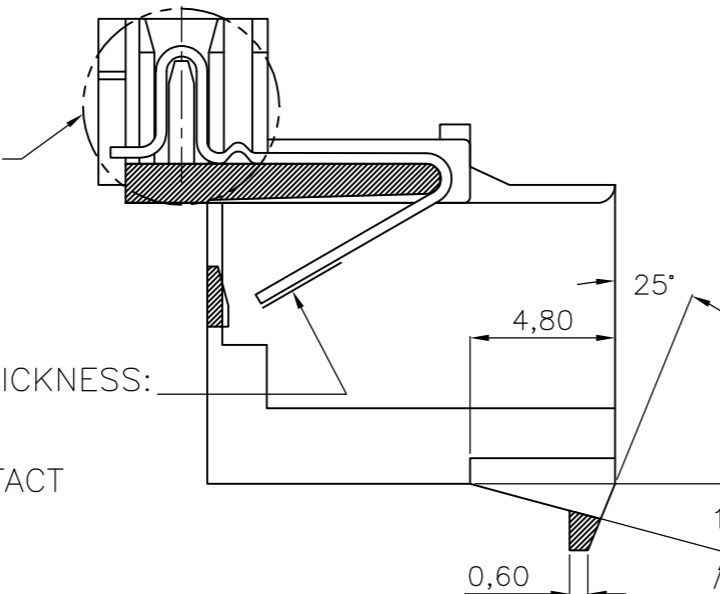
- FOR APPLICATION INFORMATION SEE TE SPECIFICATION 114-19005.
- FOR PERFORMANCE REQUIREMENTS SEE TE SPECIFICATION 108-19039.



CONTACT PLATING IN THIS AREA:
1.25 μm MIN TIN

CONTACT AREA GOLD PLATING THICKNESS:
SEE TABLE

UNDER PLATING ON ENTIRE CONTACT
1.25 μm NICKEL



SECTION A-A

MATERIAL OF CONTACTS:
PHOS. BRONZE

PACKAGING	GOLD PLATING IN CONTACT AREA	HOUSING MATERIAL	ORDER NUMBER
700 pcs. ON 60 cm. DIA. REEL	0.8 μm	ABS COLOR: CLEAR	2-167836-6
	1.2 μm	NYLON, 13%G.F. COLOR: BLACK	2-167836-4
3000 pcs. IN A BOX.	0.8 μm	ABS COLOR: CLEAR	167836-6
	1.2 μm	NYLON, 13%G.F. COLOR: BLACK	167836-4
			167836-1

THIS DRAWING IS A CONTROLLED DOCUMENT.		DWN P. BEIJNON 27APR89	Tyco Electronics Corporation 's-Hertogenbosch, Nederland	
DIMENSIONS: mm	TOLERANCES UNLESS OTHERWISE SPECIFIED:	CHK -	NAME	
	0 PLC ± -	APVD -	PRODUCT SPEC	
	1 PLC ± -		APPLICATION SPEC	
	2 PLC ± -		SIZE A2	CAGE CODE 00779
	3 PLC ± -		DRAWING NO. C=167836	RESTRICTED TO -
	4 PLC ± -		SCALE NTS	SHEET 1 of 1
MATERIAL SEE TABLE	FINISH -	WEIGHT -	REV N1	

单击下面可查看定价，库存，交付和生命周期等信息

[>>TE Connectivity\(泰科\)](#)