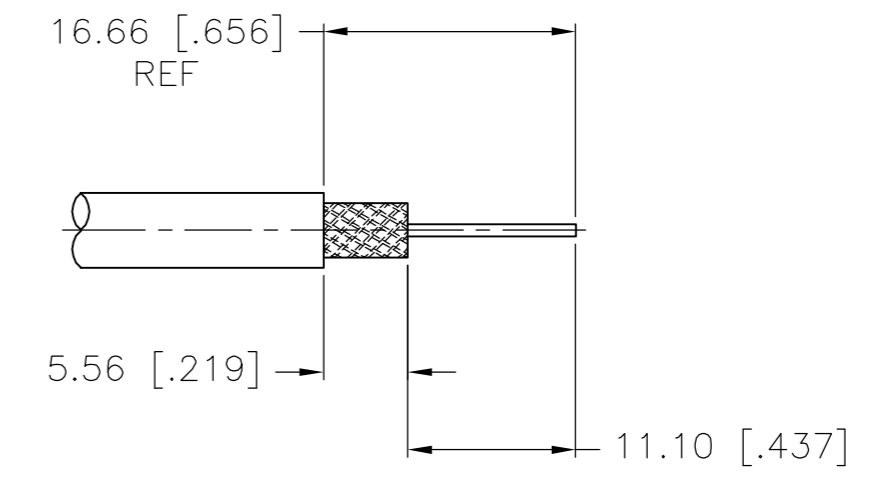
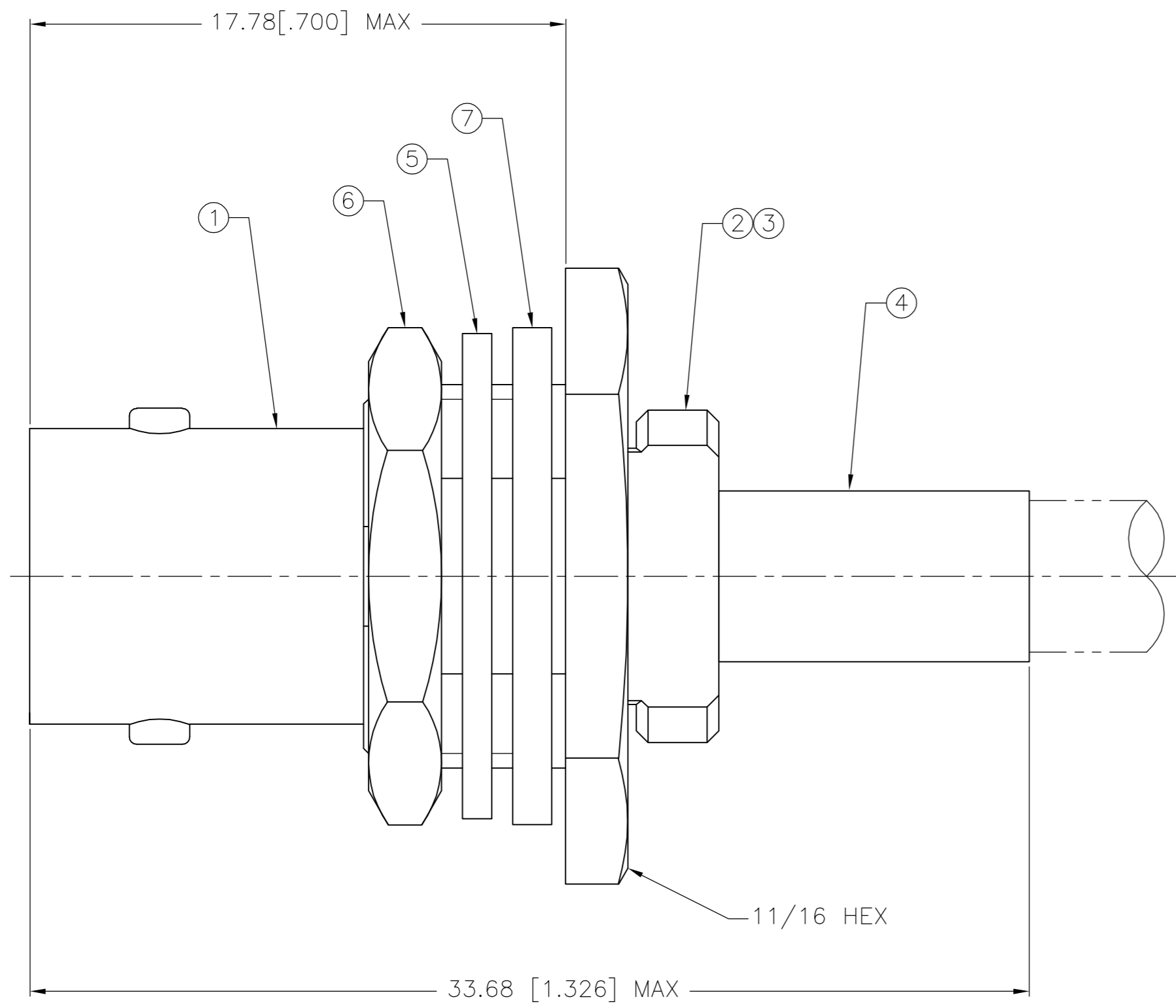


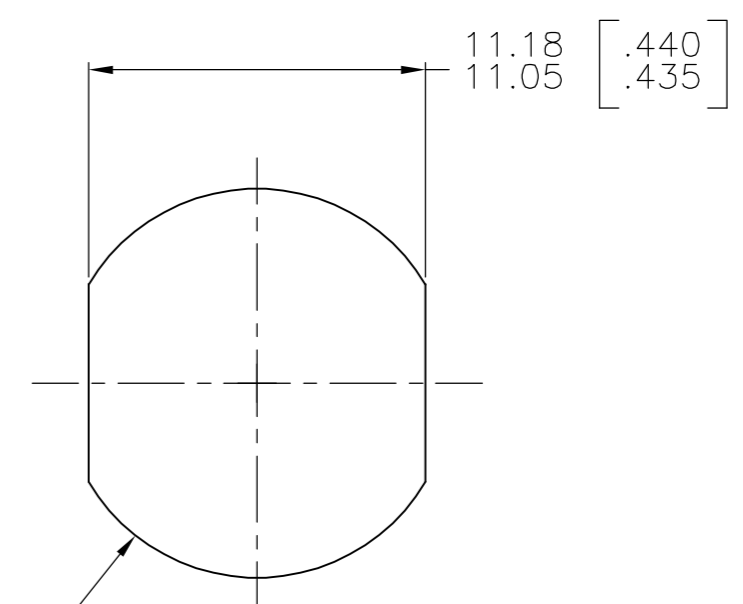
THIS DRAWING IS UNPUBLISHED. RELEASED FOR PUBLICATION  
 © COPYRIGHT BY TYCO ELECTRONICS CORPORATION. ALL RIGHTS RESERVED.

| Loc |     | DIST        |  | REVISIONS             |         |      |    |
|-----|-----|-------------|--|-----------------------|---------|------|----|
| P   | LTR | DESCRIPTION |  | DATE                  | DWN     | APVD |    |
| AJ  | 16  | A           |  | REV PER ECO 06-002539 | 07APR06 | GB   | JH |

1. USE INSTRUCTION SHEET 408-1799-3.
2. PANEL THICKNESS: .031/.125.
3. CRIMPING TOOL: 69245-2.



RECOMMENDED STRIP LENGTH SCALE 2:1



RECOMMENDED PANEL CUTOUT SCALE 4:1

|                     |                   |                    |                        |                    |                               |                   |                                    |             |
|---------------------|-------------------|--------------------|------------------------|--------------------|-------------------------------|-------------------|------------------------------------|-------------|
| RG-174/U & RG-188/U | 329633            | 9-329631-0         | 9-329632-0             | 9-328666-3         | 9-50793-4                     | 2-329106-1        | 9-329800-0                         | 2-5330063-1 |
| CABLE               | ⑦ GASKET<br>QTY=1 | ⑥ JAM NUT<br>QTY=1 | ⑤ LOCK WASHER<br>QTY=1 | ④ FERRULE<br>QTY=1 | ③ CRIMP END ASSEMBLY<br>QTY=1 | ② GASKET<br>QTY=1 | ① JACK ASSEMBLY, BULKHEAD<br>QTY=1 | PART NUMBER |

THIS DRAWING IS A CONTROLLED DOCUMENT.

|                         |  |                         |   |
|-------------------------|--|-------------------------|---|
| DIMENSIONS: mm [INCHES] | TOLERANCES UNLESS OTHERWISE SPECIFIED: | DWN B. MCMASTER 24OCT05 | Tyco Electronics Corporation<br>Harrisburg, PA 17105-3608 |
|                         | 0 PLC ± -                              | CHK J. HAVENER 24OCT05  |   |
|                         | 1 PLC ± -                              | APVD J. HAVENER 24OCT05 |   |
|                         | 2 PLC ± 0.41 [.016]                    | PRODUCT SPEC            |   |
| MATERIAL                | FINISH                                 | APPLICATION SPEC        | NAME JACK, BULKHEAD, BNC, SINGLE CRIMP                    |
|                         |  | WEIGHT                  | SIZE A2   |
|                         |  | CUSTOMER DRAWING        | CAGE CODE 00779   |
|                         |  |                         | DRAWING NO C=5330063                                      |
|                         |  |                         | RESTRICTED TO   |
|                         |  |                         | SCALE 6:1   |
|                         |  |                         | SHEET 1 of 1  |
|                         |  |                         | REV A   |

单击下面可查看定价，库存，交付和生命周期等信息

[>>TE Connectivity\(泰科\)](#)