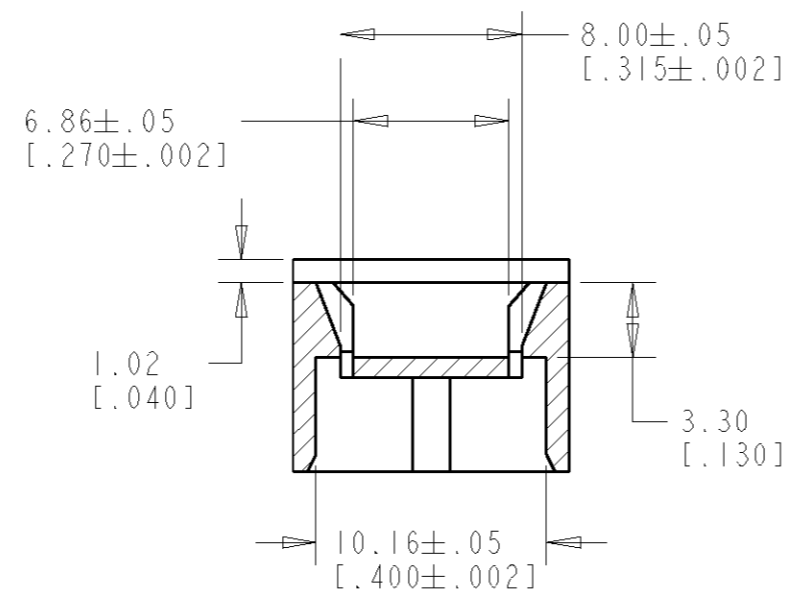
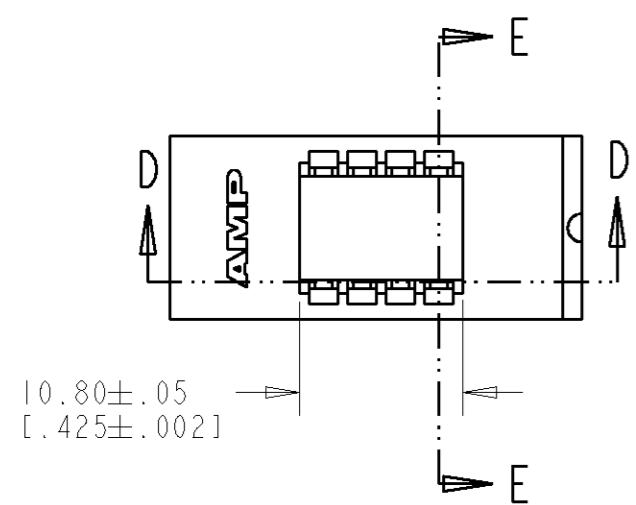


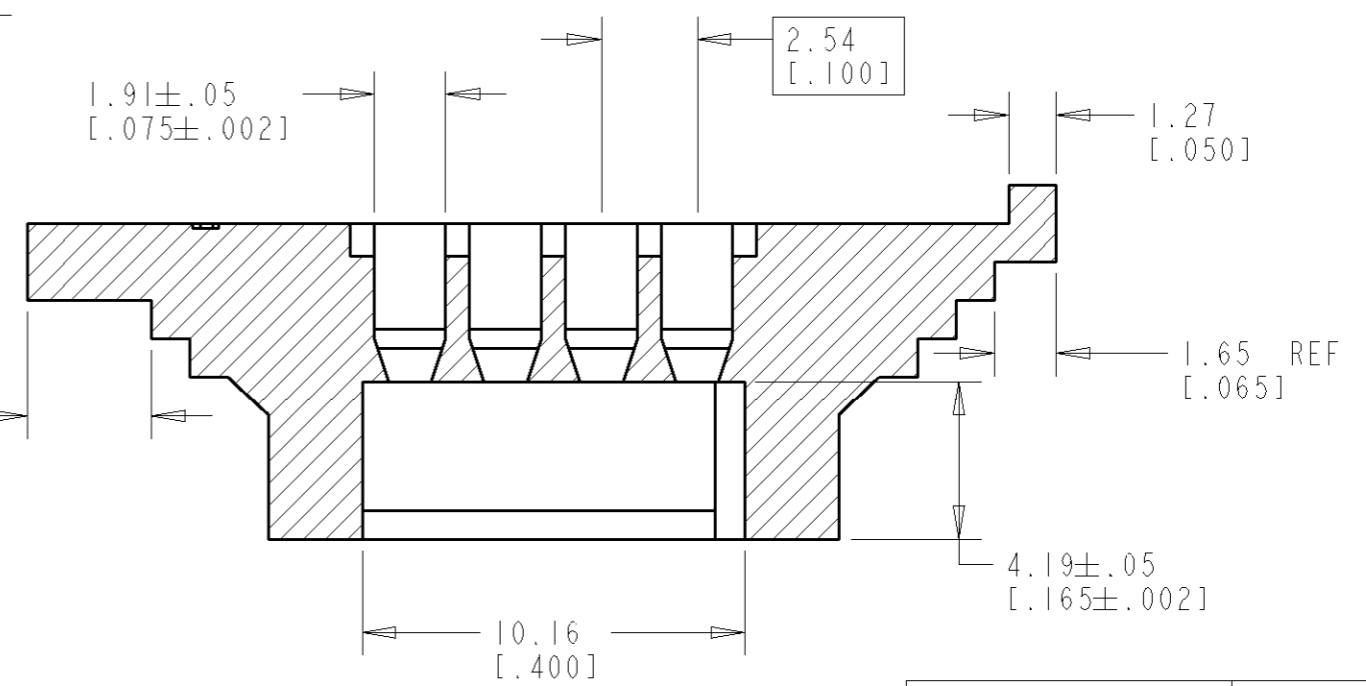
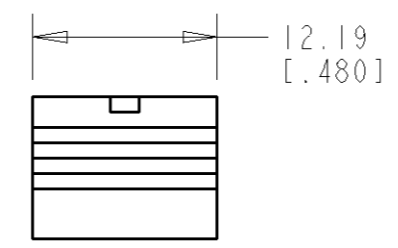
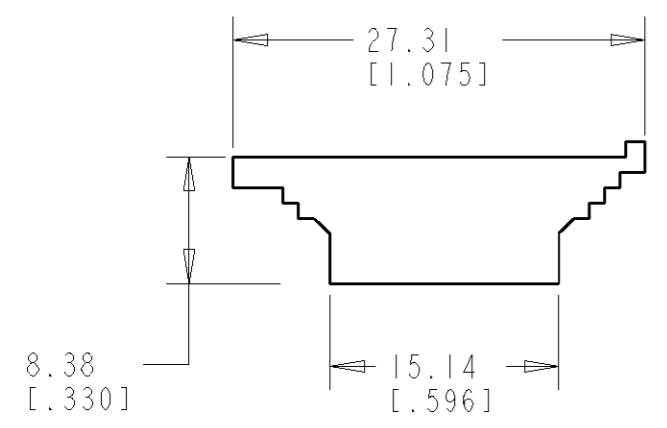
THIS DRAWING IS UNPUBLISHED. RELEASED FOR PUBLICATION .19
 © COPYRIGHT 19 BY AMP INCORPORATED. ALL RIGHTS RESERVED.

LOC	DIST	REVISIONS			
P	LTR	DESCRIPTION	DATE	DWN	APVD
FT	61	A	REV PER OG3C-0001-01	15JAN01	RB KW
		B	REV PER OG3C-0024-02	23APR02	RB JO

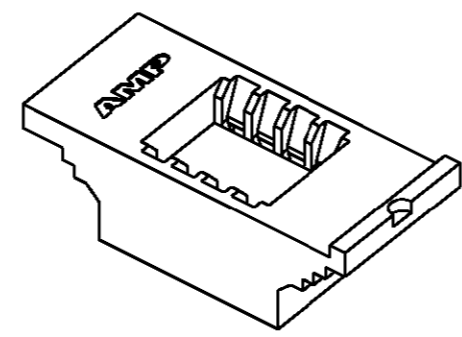


SECTION E-E
SCALE 3:1

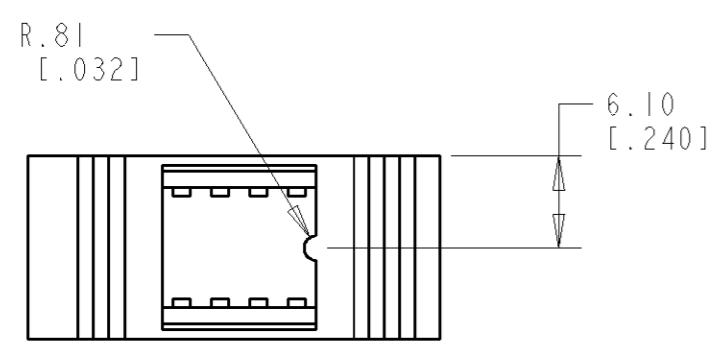
- DIP CARRIER TO BE ADHESIVELY BONDED TO CARRIER BY CUSTOMER.
- MATERIAL: 30% GLASS-FILLED PBT.
- DESIGNED FOR FORMED LEADER DIPS ONLY.



SECTION D-D
SCALE 5:1



8	390280-1
NO. OF POSITIONS	PART NUMBER



THIS DRAWING IS A CONTROLLED DOCUMENT FOR AMP INCORPORATED. IT IS SUBJECT TO CHANGE AND THE CONTROLLING ENGINEERING ORGANIZATION SHOULD BE CONTACTED FOR THE LATEST REVISION.		DWN L.A. McEACHIN 06MAY99	AMP AMP Incorporated Harrisburg, PA 17105-3608
DIMENSIONS: mm [INCHES]		CHK G.S. RIDGILL 06MAY99	
TOLERANCES UNLESS OTHERWISE SPECIFIED:		APVD G.S. RIDGILL 06MAY99	NAME PLASTIC CARRIER FOR 8 POSITION DUAL IN-LINE PACKAGE
0 PLC ± .1		PRODUCT SPEC	
1 PLC ± .01		APPLICATION SPEC	SIZE A3
2 PLC ± .02		WEIGHT	CAGE CODE 00779
3 PLC ± .005		FINISH	DRAWING NO C-390280
4 PLC ± .0005			RESTRICTED TO
ANGLES ±		CUSTOMER DRAWING	
MATERIAL		SCALE 2:1	
FINISH		SHEET 1 OF 1	
-		REV B	

单击下面可查看定价，库存，交付和生命周期等信息

[>>TE Connectivity\(泰科\)](#)