

THIS DRAWING IS UNPUBLISHED.

RELEASED FOR PUBLICATION

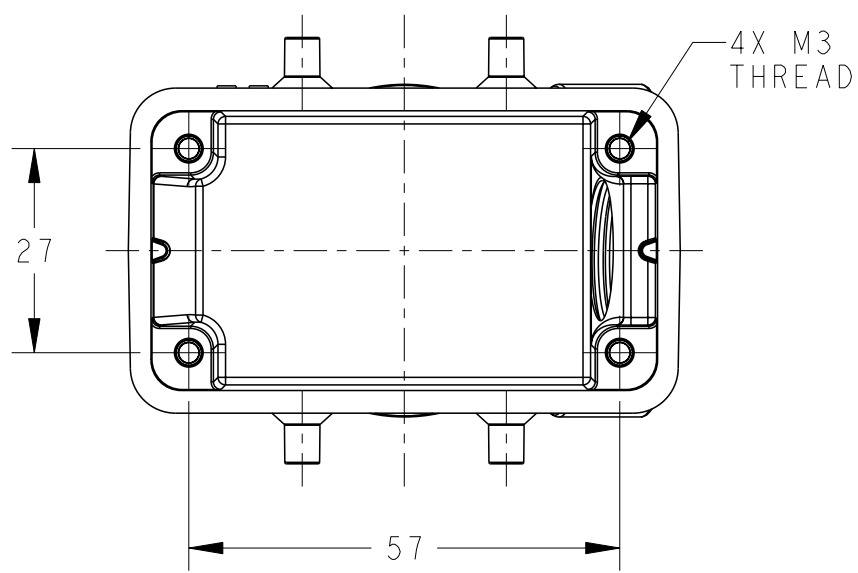
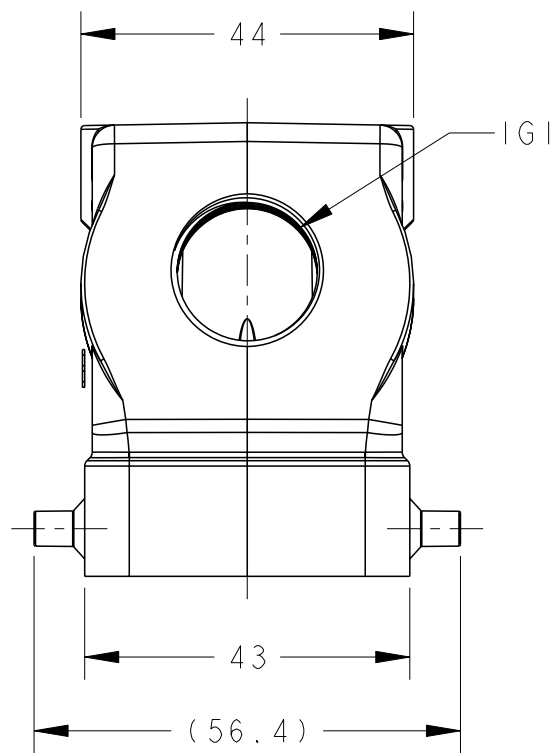
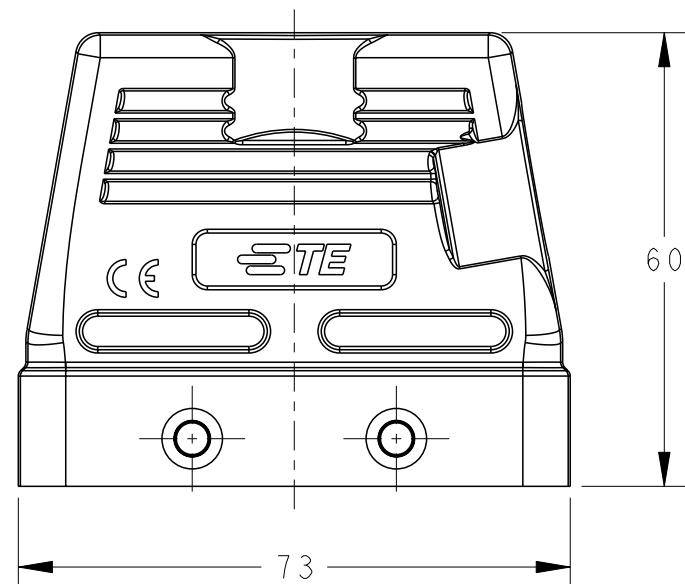
20

© COPYRIGHT 20 BY -

ALL RIGHTS RESERVED.

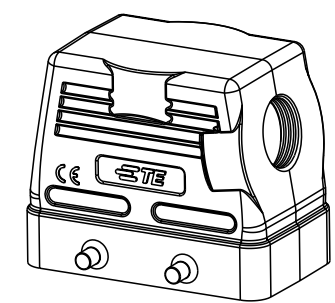
REVISIONS

P	LTR	DESCRIPTION	DATE	DWN	APVD
	A	INITIAL	11JUN2015	DW	CW
	B	ECR-20-008181	28JUN2020	WQR	CW
	B1	ECR-21-103925	28MAY2021	WQR	CW




NOTES:
 1. TECHNICAL CHARACTERISTICS:
 HOOD MATERIAL: DIE CAST ALUMINIUM ALLOY
 SURFACE: POWDER COATED, SILVER WHITE
 DEGREE OF PROTECTION: IP65 (MATED)

注释:
 1. 技术参数:
 上壳材料: 铝合金
 表面处理: 粉末涂层, 银白色
 防护等级: IP65(配合)



SCALE 1:2

T1210101116-000	H10B-TS-PG16 SILVER WHITE	PG16
T1210101125-000	H10B-TS-M25 SILVER WHITE	M25
PART NUMBER	DESCRIPTION	IG1

THIS DRAWING IS A CONTROLLED DOCUMENT.		DWN 11JUN2015 David Wang	 TE Connectivity	
DIMENSIONS: mm		CHK 11JUN2015 Chris Wang		
TOLERANCES UNLESS OTHERWISE SPECIFIED:		APVD 11JUN2015 Xiang Xu	NAME H10B-TS-M/PG SILVER WHITE	
0 PLC ±-		PRODUCT SPEC 108-137013	SIZE CAGE CODE DRAWING NO RESTRICTED TO	
1 PLC ±-		APPLICATION SPEC 114-137013	A300779 C-T121010XXXX000	
2 PLC ±-		WEIGHT -	SCALE 1:1 SHEET 1 OF 1 REV B1	
3 PLC ±-				
4 PLC ±-				
ANGLES ±-				
FINISH				
MATERIAL				

printed on 17 Jun 2021 09:55 (China Standard Time) from TE343646

单击下面可查看定价，库存，交付和生命周期等信息

[>>TE Connectivity\(泰科\)](#)