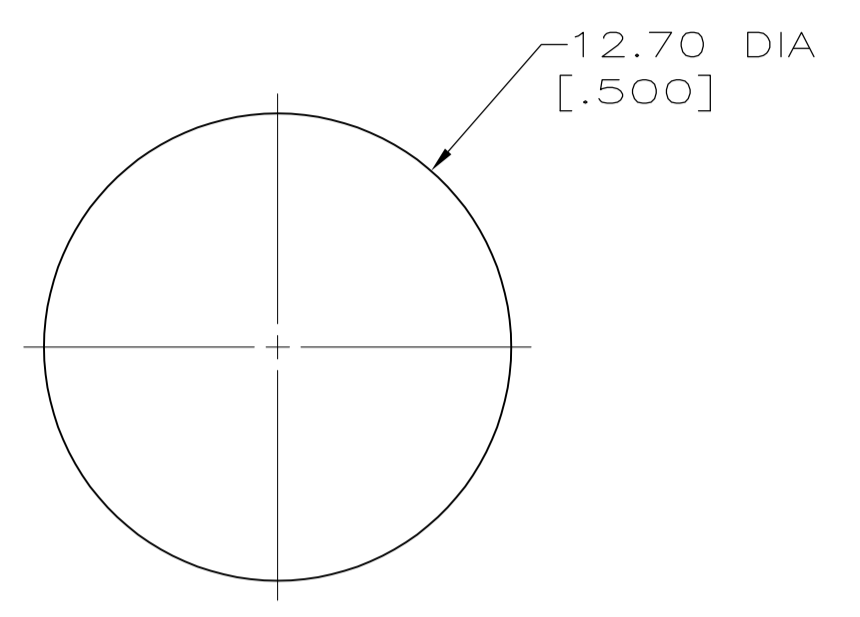
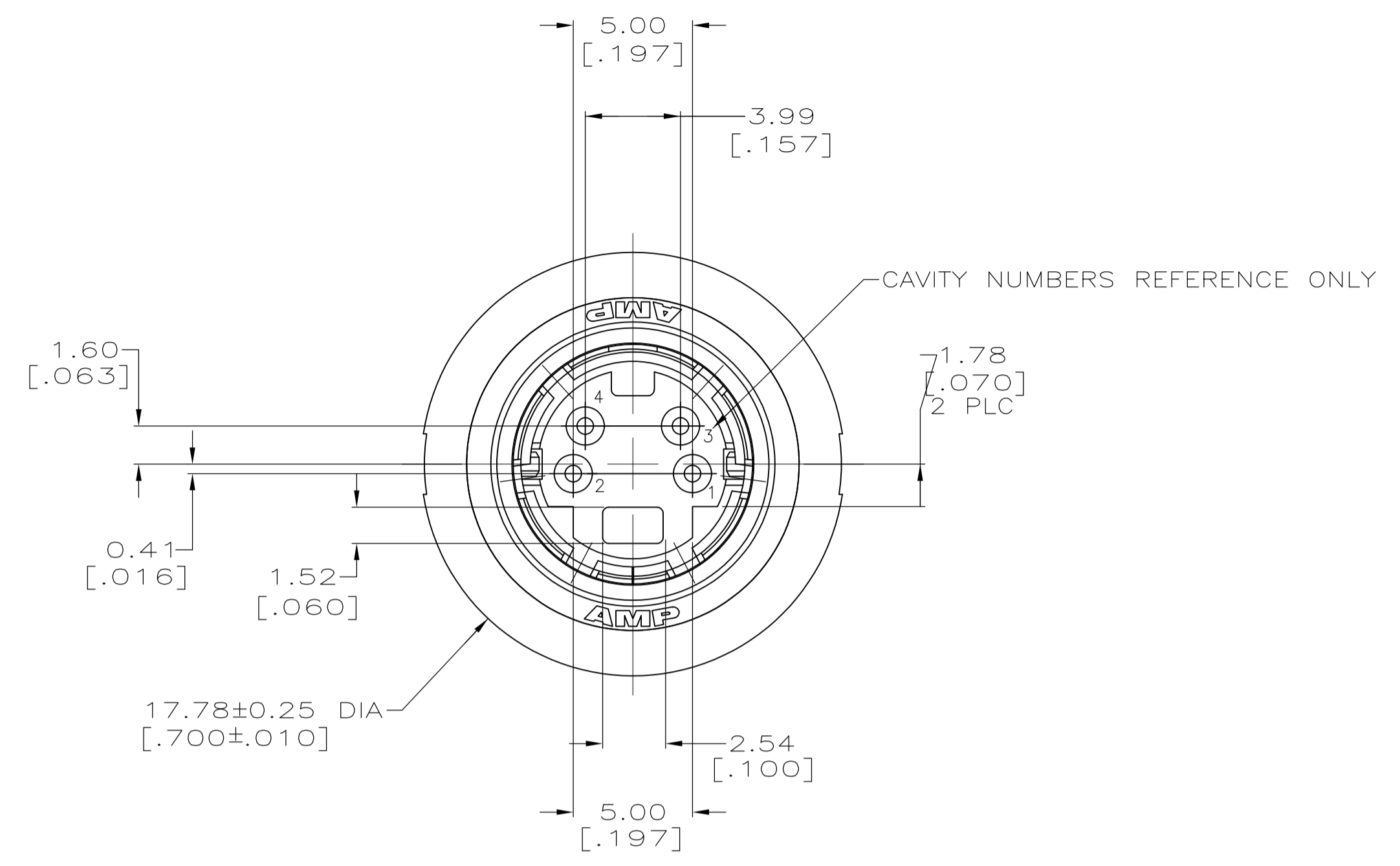
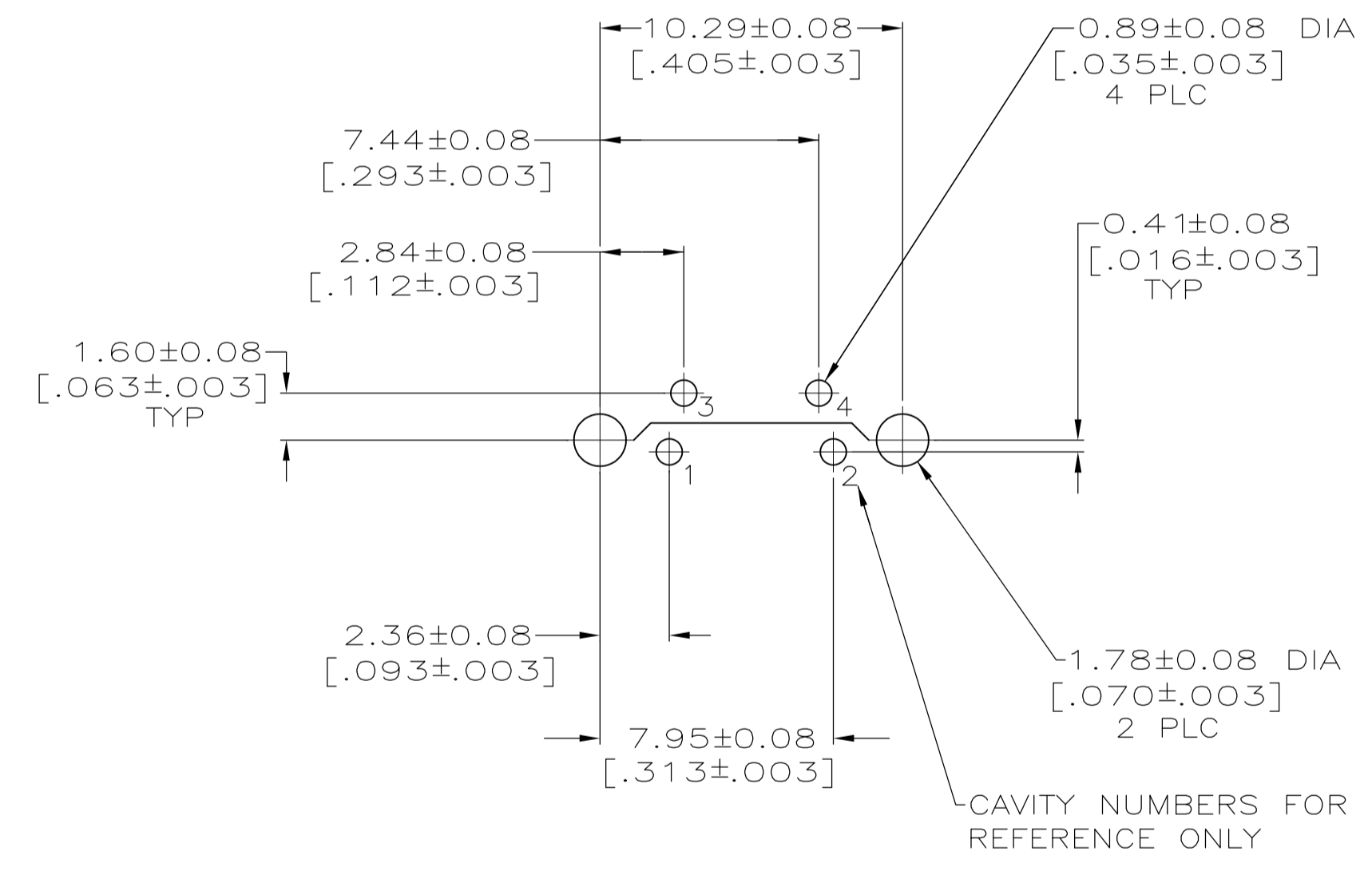
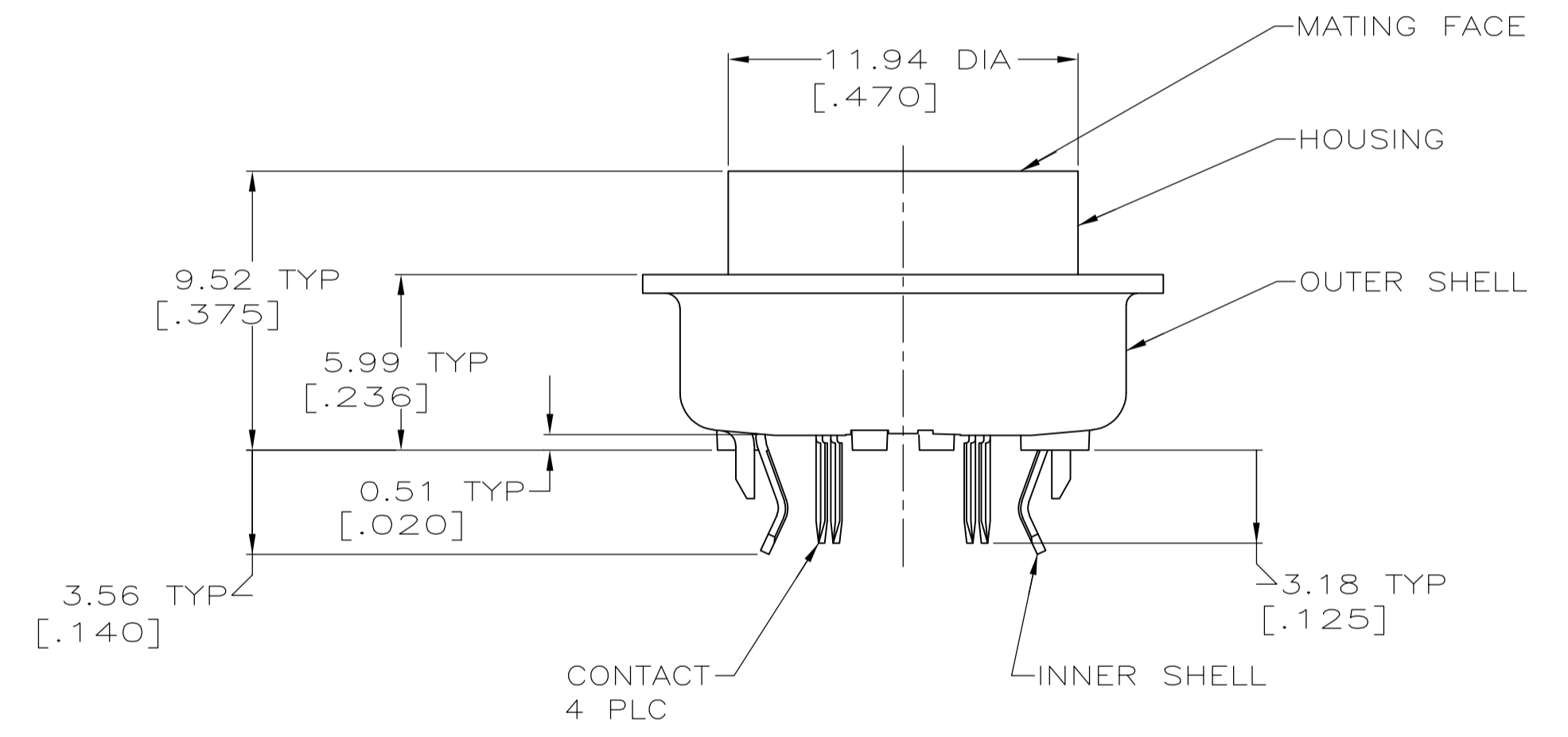


MOD		LOC		DIST		REVISIONS				
1	2	3	4	5	6	ZONE	LTR	DESCRIPTION	DATE	APPD
18	BD	39								
						A		REVISED PER ECN BD4681	02/07/91	-
						M		REVISED PER ECO-09-023313	13OCT09	AEG

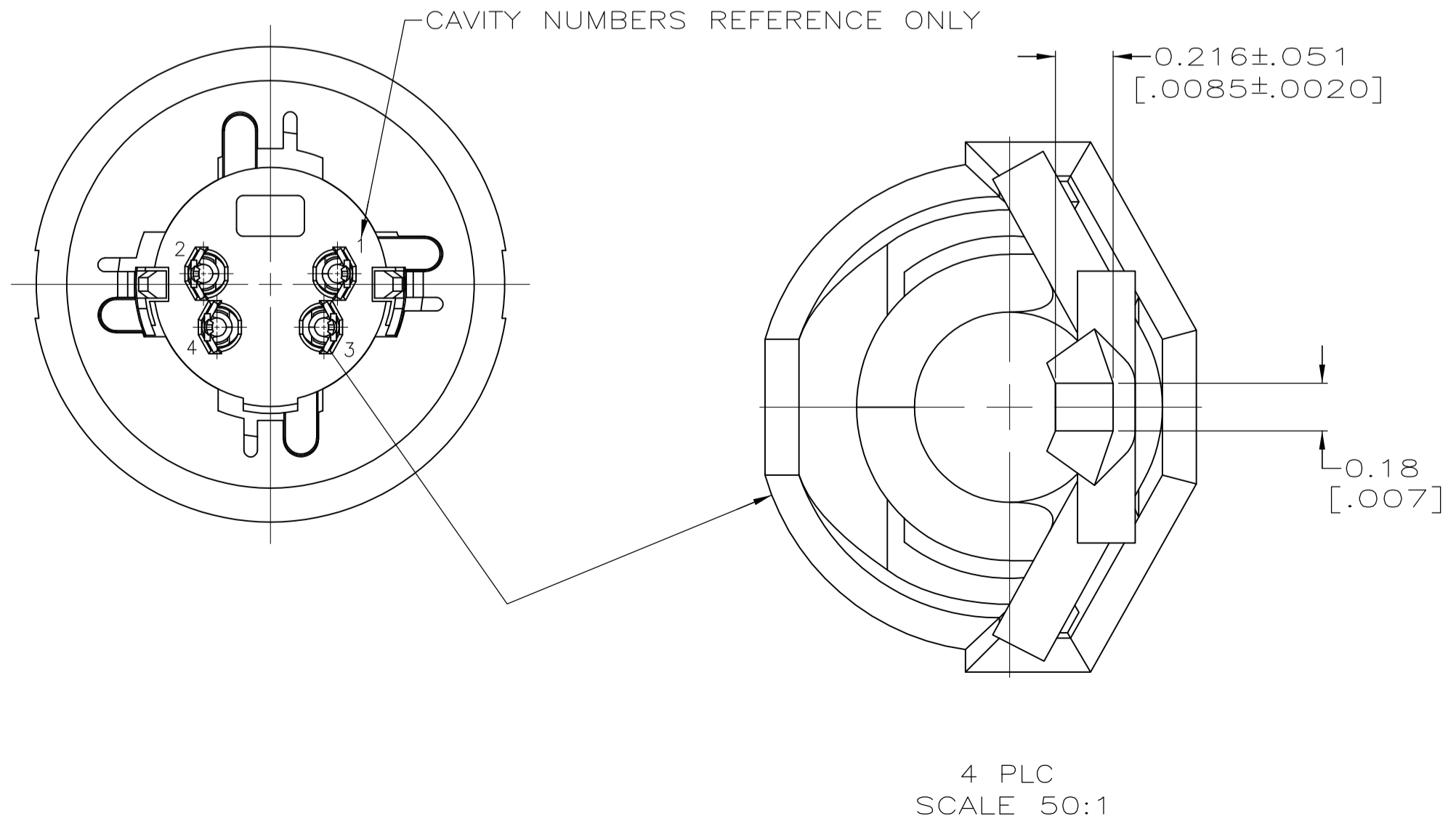


RECOMMENDED PANEL CUT-OUT

- ① SHELLS: BRASS; CONTACTS: PHOSPHOR BRONZE; HOUSING: POLYESTER, UL 94V-0 RATED, BLACK.
- ② 0.76 μm [.000030] MIN GOLD ON MATING END FOR A LENGTH OF 1.37 [.054] MIN ON INSIDE, 2.54 μm [.000100] MIN TIN-LEAD FOR A LENGTH OF 3.30 [.130] MIN FROM OPPOSITE END, ALL OVER 1.27 μm [.000050] MIN NICKEL.
- ③ 0.38 μm [.000015] MIN GOLD ON MATING END FOR A LENGTH OF 1.37 [.054] MIN ON INSIDE, 2.54 μm [.000100] MIN TIN-LEAD FOR A LENGTH OF 3.30 [.130] MIN FROM OPPOSITE END, ALL OVER 1.27 μm [.000050] MIN NICKEL.
- ④ 2.54 μm [.000100] MIN TIN-LEAD OVER 1.27 μm [.000050] MIN NICKEL.
- ⑤ GOLD PLATING PER MIL-G-45204, TIN PLATING PER MIL-T-10727, NICKEL PLATING PER QQ-N-290, COPPER PLATING PER MIL-C-14550.
- ⑥ RECEPTACLE ASSEMBLY MATES WITH 4 PIN, 8.99±0.10 [.354±.004] DIAMETER PLUG.
- ⑦ 3.81 μm [.000150] MIN TIN-LEAD OVER 2.54 μm [.000100] MIN COPPER.
- ⑧ OBSOLETE PARTS: OBSOLETE CIS STREAMLINING PER D.RENAUD/D.SINISI



RECOMMENDED PC BOARD LAYOUT  
 BOTTOM VIEW



⑧ OBSOLETE	②	750317-2
	③	750317-1
		PART NO

DO NOT SCALE PRINT. UNLESS SPECIFIED DIMENSIONS IN mm [INCHES]		DR 8-6-90 R.SHIREY		<b>AMP</b> AMP Incorporated Harrisburg, PA 17105-3608	
TOLERANCES: ON : 2 PLC DEC ± 0.13 [.005] 3 PLC DEC ± - ANGLES ± -		CHK 9-5-90 R.STONE			
MATERIAL		APPD 9-5-90 R.WHYNE		NAME	
FINISH: ①		APPD 9-10-90 J.FULPONI		RECEPTACLE ASSEMBLY, 4 POSN, LOW FLANGE, SHIELDED, VERTICAL, MINIATURE CIRCULAR DIN	
CONTACTS: SEE TABLE		PRODUCT SPEC		SIZE	
INNER SHELL: ②		APPLICATION SPEC		CAGE CODE	
OUTER SHELL: ③		WEIGHT		DRAWING NO	
				D 00779 750317	
				SCALE 5:1 SHEET 1 OF 1	

单击下面可查看定价，库存，交付和生命周期等信息

[>>TE Connectivity\(泰科\)](#)