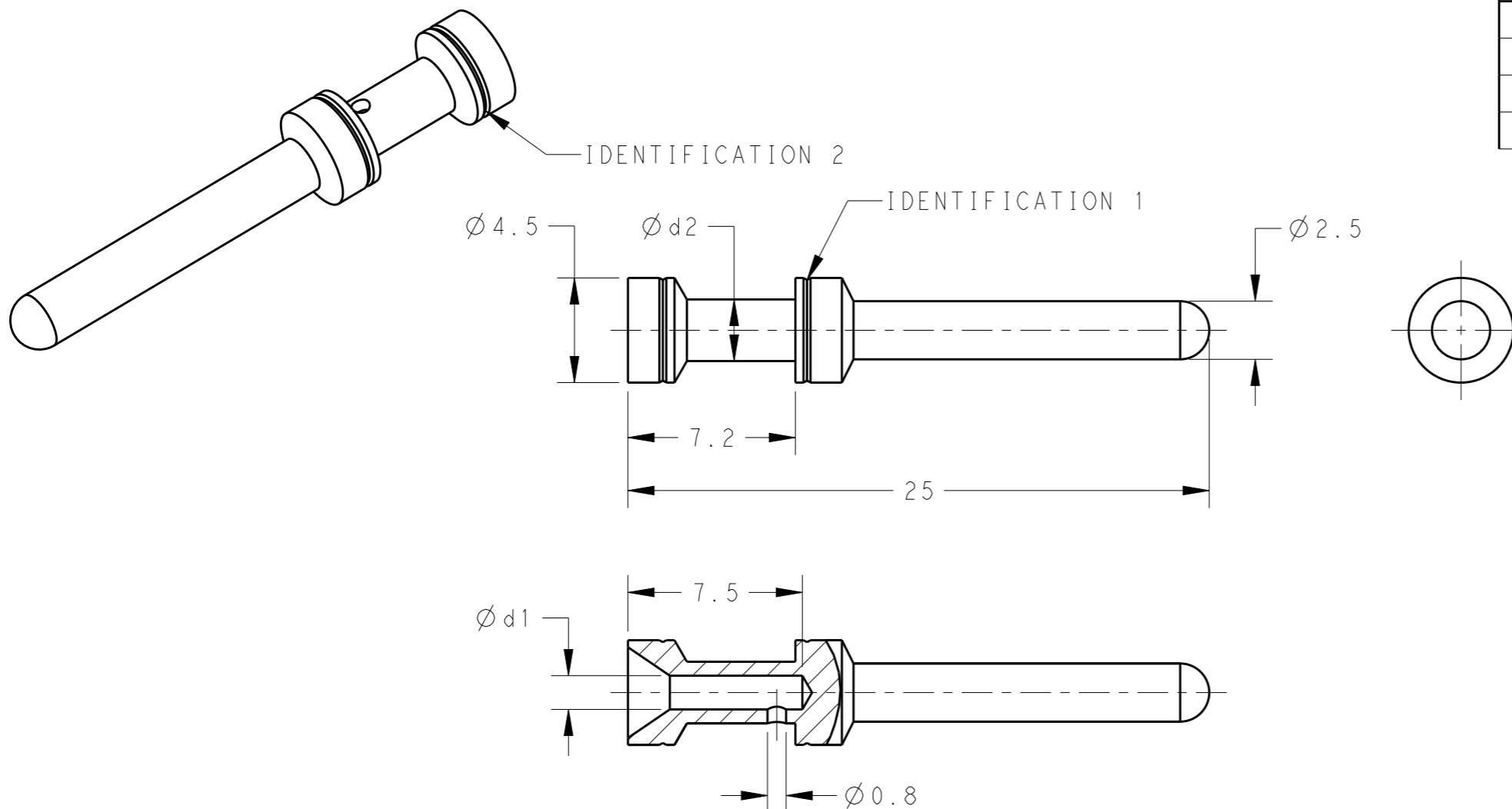


THIS DRAWING IS UNPUBLISHED. RELEASED FOR PUBLICATION 20
 © COPYRIGHT 20 BY - ALL RIGHTS RESERVED.

REVISIONS					
P	LTR	DESCRIPTION	DATE	DWN	APVD
	A	INITIAL	18JUN2014	DW	CW
	A1	ECR-15-009407	01JUN2015	DW	CW



NOTES:
 1. TECHNICAL CHARACTERISTICS:
 CONTACT MATERIAL: BRASS
 SURFACE PLATING:
 SILVER PLATING: $\geq 2\mu\text{m}$
 GOLD PLATING: $\geq 0.75\mu\text{m}$
 CONTACT RESISTANCE: $\leq 5\text{ m}\Omega$
 WIRE RANGE: 0.14-4 mm² (26-12 AWG)
 OPERATION TEMPERATURE: -40-+125°C

注释:
 1. 技术参数:
 公针材料: 黄铜
 表面电镀:
 镀银: $\geq 2\mu\text{m}$
 镀金: $\geq 0.75\mu\text{m}$
 接触电阻: $\leq 5\text{ m}\Omega$
 接线范围: 0.14-4 mm² (26-12 AWG)
 工作温度: -40-+125°C

	PART NUMBER		d1	d2	WIRE GAUGE		STRIPPING LENGTH (mm)	IDENTIFICATION 1 (NUMBER OF GROOVES)	IDENTIFICATION 2 (NUMBER OF GROOVES)
	SILVER PLATING	GOLD PLATING			MM ²	AWG			
	PIN CONTACT	T2030001002-000			T2030011002-000	0.90			
	T2030001005-000	T2030011005-000	1.15	2.50	0.5	20		NO GROOVE	NO GROOVE
	T2030001008-000	T2030011008-000	1.30	2.50	0.75	18		NO GROOVE	1 GROOVE
	T2030001010-000	T2030011010-000	1.45	2.65	1.0	18		1 GROOVE	NO GROOVE
	T2030001015-000	T2030011015-000	1.75	3.00	1.5	16		2 GROOVES	NO GROOVE
	T2030001025-000	T2030011025-000	2.25	3.45	2.5	14		3 GROOVES	NO GROOVE
	T2030001030-000	T2030011030-000	2.55	3.75	3.0	12		1 WIDE GROOVE	1 GROOVE
	T2030001040-000	T2030011040-000	2.85	3.85	4.0	12		NO GROOVE	NO GROOVE

THIS DRAWING IS A CONTROLLED DOCUMENT.

DWN	18JUN2014	TE Connectivity			
CHK	18JUN2014				
APVD	18JUN2014				
NAME	Xiang Xu				
PRODUCT SPEC	108-106137	CEM/DEM HEE PIN CONTACT			
APPLICATION SPEC	114-106137				
WEIGHT	-	SIZE	CAGE CODE	DRAWING NO	RESTRICTED TO
Customer Drawing		A3	00779	©-T20300X10XX000	-
SCALE		SHEET		REV	
4:1		1 OF 1		A1	

单击下面可查看定价，库存，交付和生命周期等信息

[>>TE Connectivity\(泰科\)](#)