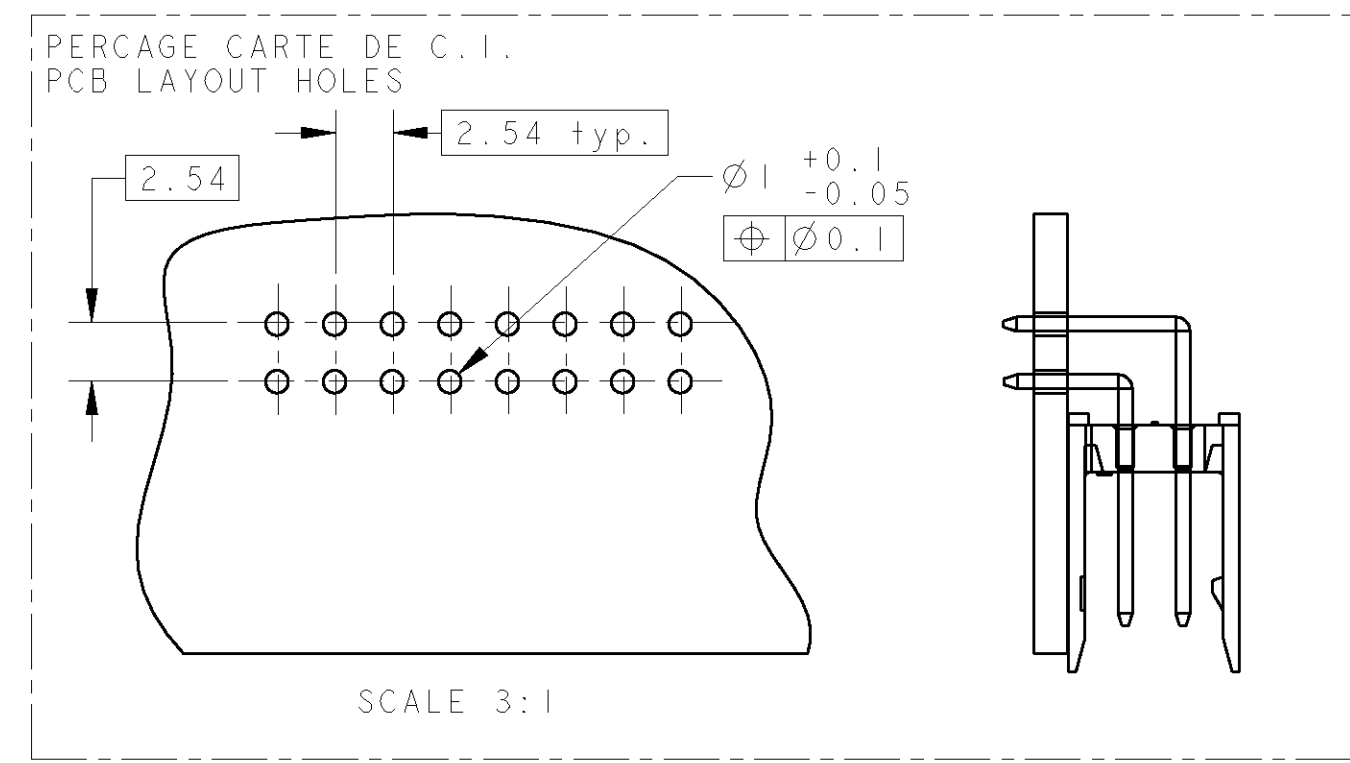
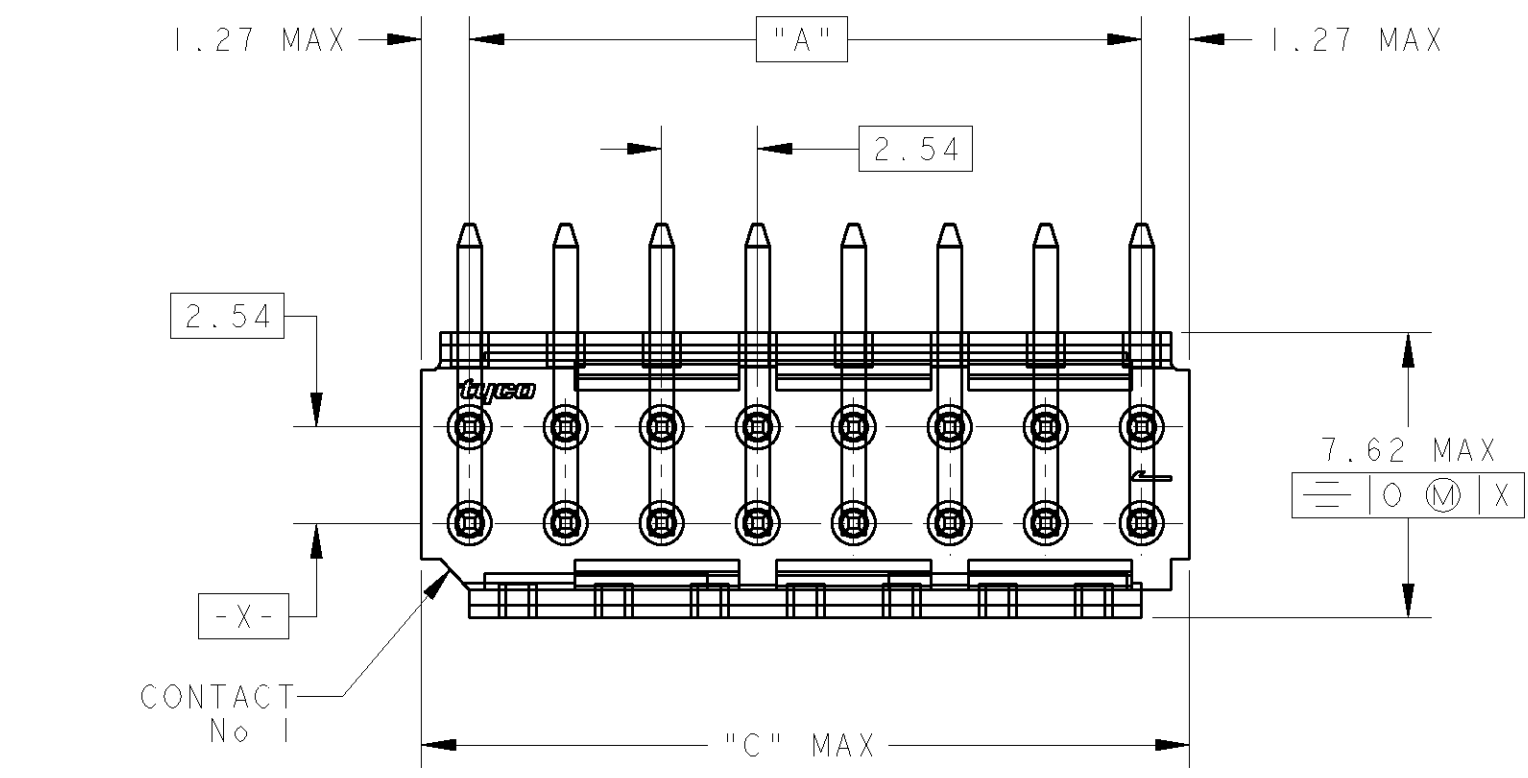
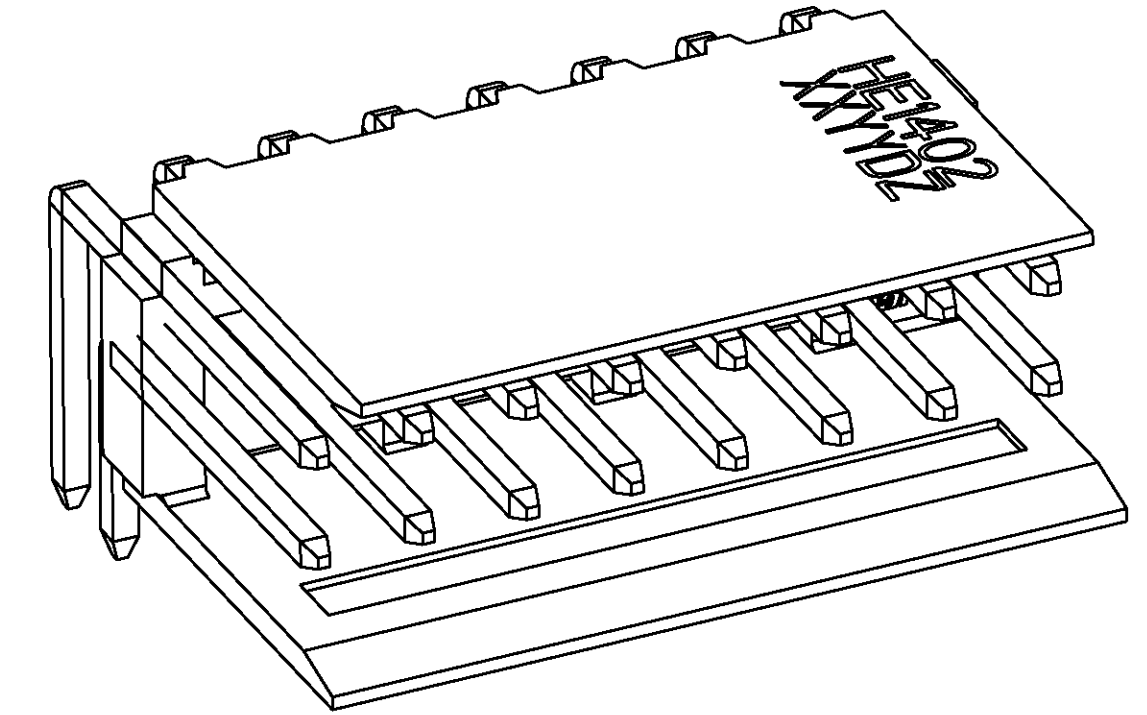
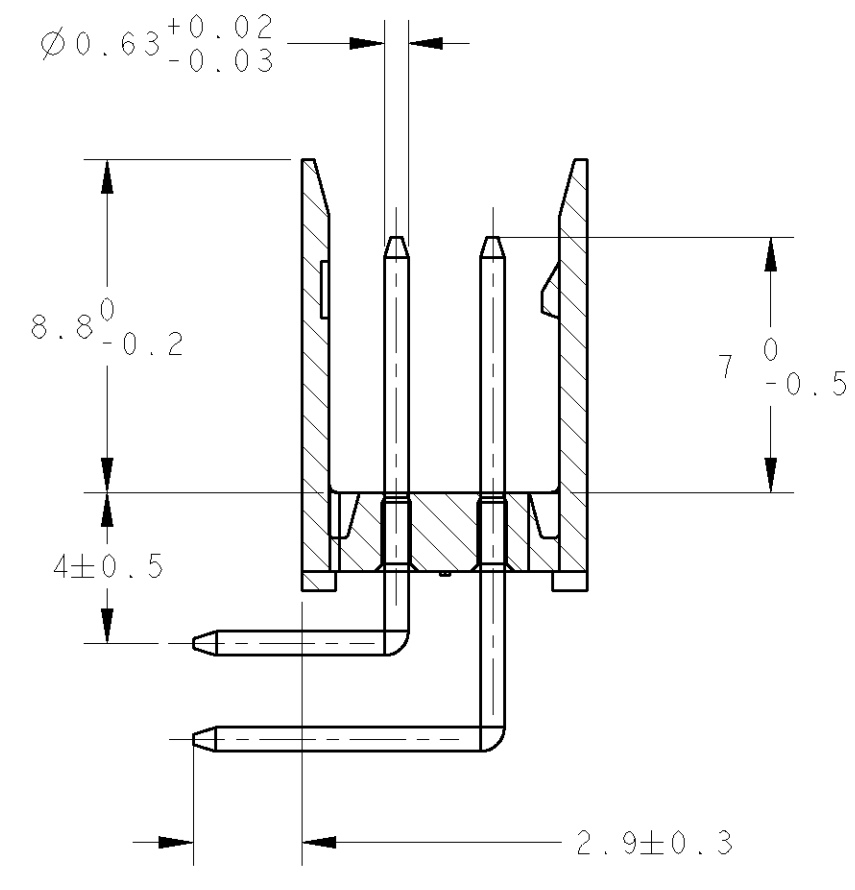
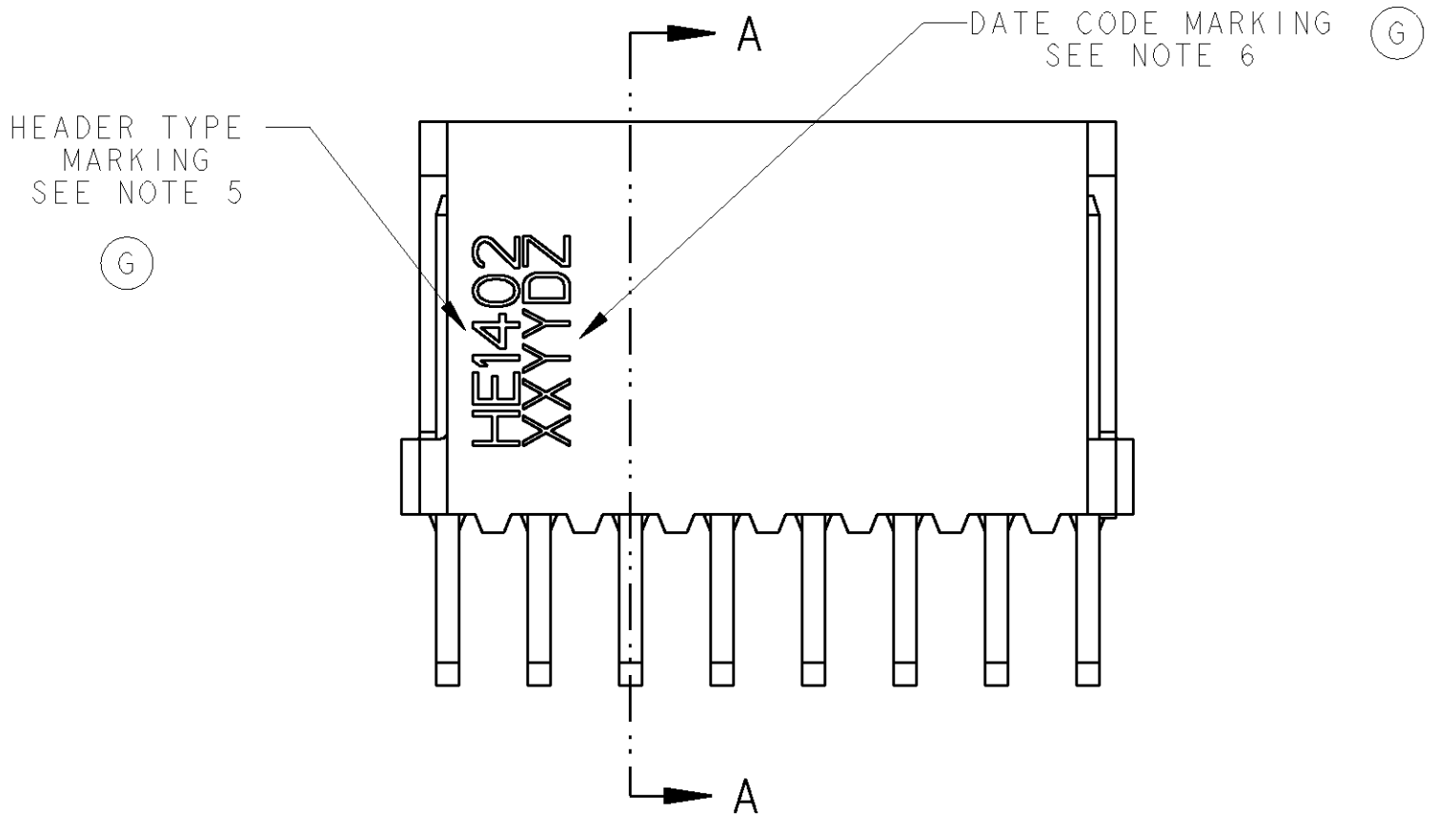


THIS DRAWING IS UNPUBLISHED.
 DIFFUSION RESTREINTE
 © COPYRIGHT

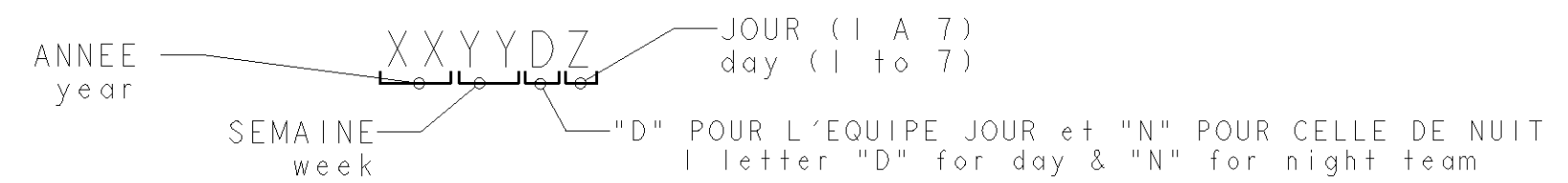
RELEASED FOR PUBLICATION
 LIBRE A LA DIFFUSION
 ALL RIGHTS RESERVED.
 TOUS DROITS RESERVES

| LOC | DIST | REVISIONS | | | |
|-----|------|------------------------------|---------|--------------|--------------|
| P | LTR | DESCRIPTION MODIFICATIONS | DATE | DWN DESS. | APVD APP. |
| F | 7 | G1 REVISED PER ECO-11-005150 | 19APR11 | RK | HMR |



| C | A | Nb DE POS | PART NUMBER |
|-------|-------|-----------|--------------|
| 50.80 | 48.26 | 2x 20 | 2-281742-0 |
| 45.72 | 43.18 | 2x 18 | 1-281742-8 * |
| 43.18 | 40.64 | 2x 17 | 1-281742-7 |
| 38.10 | 35.56 | 2x 15 | 1-281742-5 * |
| 33.02 | 30.48 | 2x 13 | 1-281742-3 |
| 30.48 | 27.94 | 2x 12 | 1-281742-2 * |
| 25.40 | 22.86 | 2x 10 | 1-281742-0 * |
| 20.32 | 17.78 | 2x 8 | 0-281742-8 * |
| 15.24 | 12.70 | 2x 6 | 0-281742-6 * |
| 12.70 | 10.16 | 2x 5 | 0-281742-5 * |
| 10.16 | 7.62 | 2x 4 | 0-281742-4 * |
| 7.62 | 5.08 | 2x 3 | 0-281742-3 * |
| 5.08 | 2.54 | 2x 2 | 0-281742-2 |

- NOTES:
- CES EMBASES SONT PREVUES POUR ETRE ACCOUPLEES AVEC LES FICHES "HE1402" SIMPLE RANGEE.
(These headers are designed to be mated with "HE1402" connectors single row)
 - LES REFERENCES SUIVIES D'UN * SONT LES VERSIONS NORMALISEES SELON LA NORME CEI 603-8
(The parts numbers followed by * are covered by the international standard IEC 603-8)
 - RETEVEMENT DES CONTACTS: ETAIN PUR SUR NICKEL
(Contacts plating: lead free tin over nickel)
 - MATIERE PLASTIQUE: TERMO-PLASTIQUE HAUTE TEMPERATURE, UL-94V0, COULEUR BLEUE
(Plastic material: High temperature thermoplastic, UL-94V0, Blue color)
MATIERE DES CONTACTS: BRONZE PHOSPHOREUX
(Contacts material: phosphor bronze)
 - MARQUAGE DU TYPE D'EMBASE (HE1402) A L'ENCRE NOIRE
(header type marking (HE1402) with black ink)
 - MARQUAGE DE LA DATE A L'ENCRE NOIRE :
(date code marking with black ink)



| | | | | | | | |
|-------------------------------|-----------------|---|-------------------|---|-----------|---|-------------------------|
| DIMENSIONS: mm | | TOLERANCES UNLESS OTHERWISE SPECIFIED: (SUIV NB DE DECIMALES) 0 PLC/DEC: ± 1 PLC/DEC: ±0.3 2 PLC/DEC: ±0.13 3 PLC/DEC: ±0.013 4 PLC/DEC: ±0.0013 ANGLES ±5° | | DWN/DESSINE 22NOV2000 C. COMBEDOUZON CHK/VERIFIE 22NOV2000 I. CORRIOL APVD/APROUVE 22NOV2000 Y. PETRONIN | | TE Connectivity HEADERS HE14, DOUBLE ROW, RIGHT ANGLE | |
| MATERIAL/MATIERE | FINISH/FINITION | WEIGHT MASSE APPROX. | APPLICATION SPEC | SIZE FORMAT | CAGE CODE | DRAWING NO No PLAN | RESTRICTED TO RESERVE A |
| 4 | 3 | - | 108-15053 | A2 | 00779 | 281742 | - |
| CUSTOMER DRAWING /PLAN CLIENT | | UNIQUEMENT POUR REFERENCE | SCALE ECHELLE 5:1 | SHEET FEUILLE | OF DE | REV G1 | |

单击下面可查看定价，库存，交付和生命周期等信息

[>>TE Connectivity\(泰科\)](#)