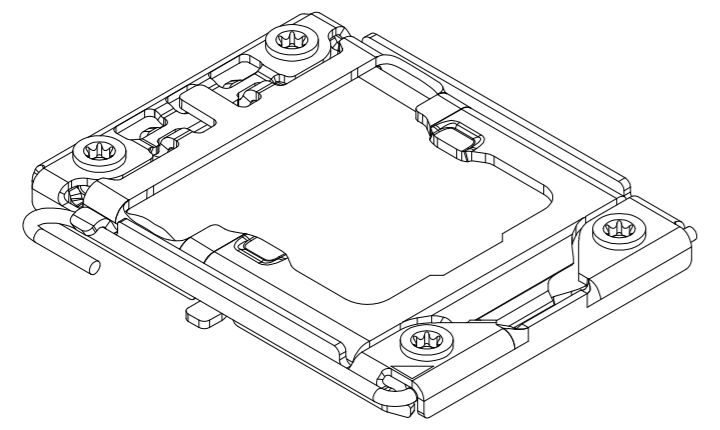
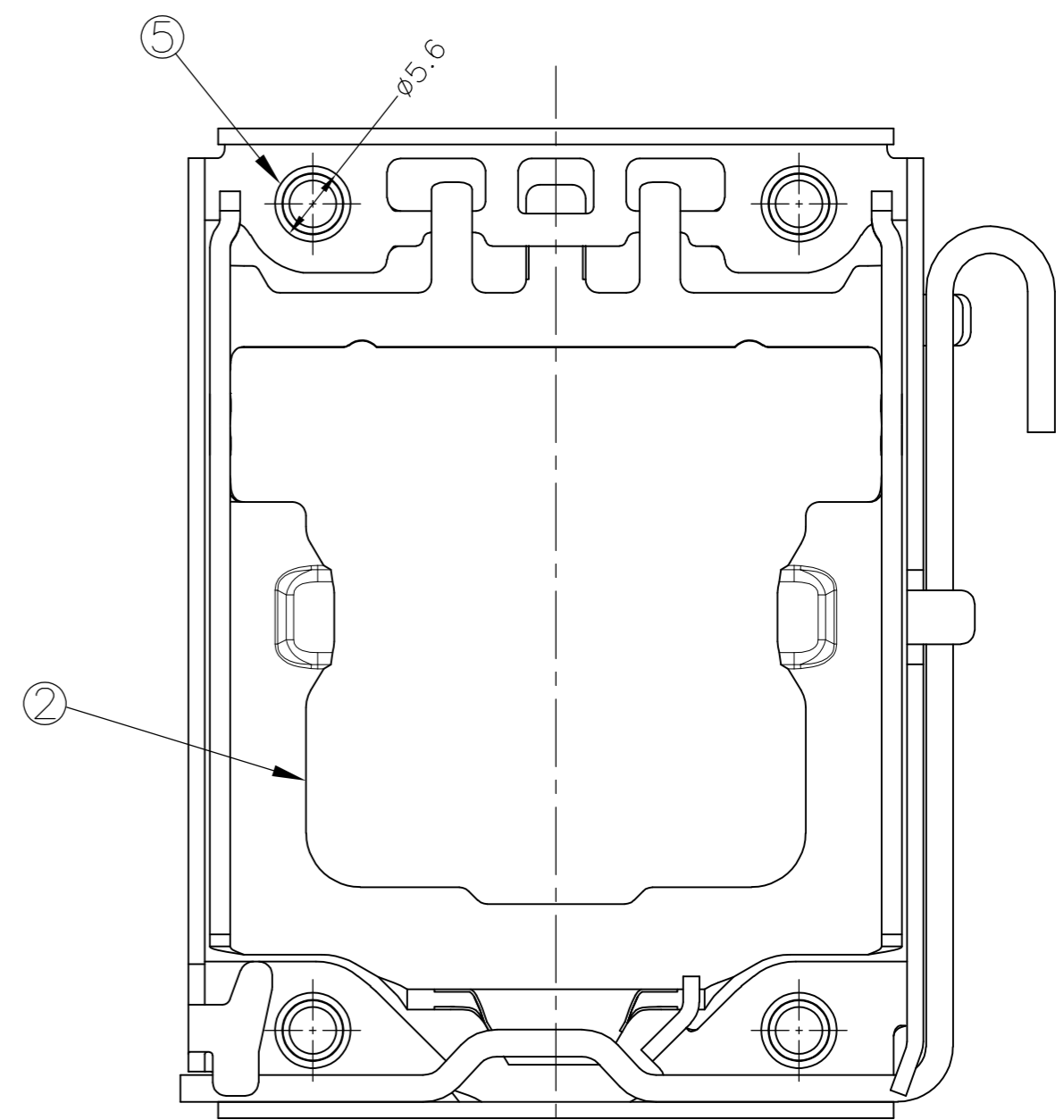
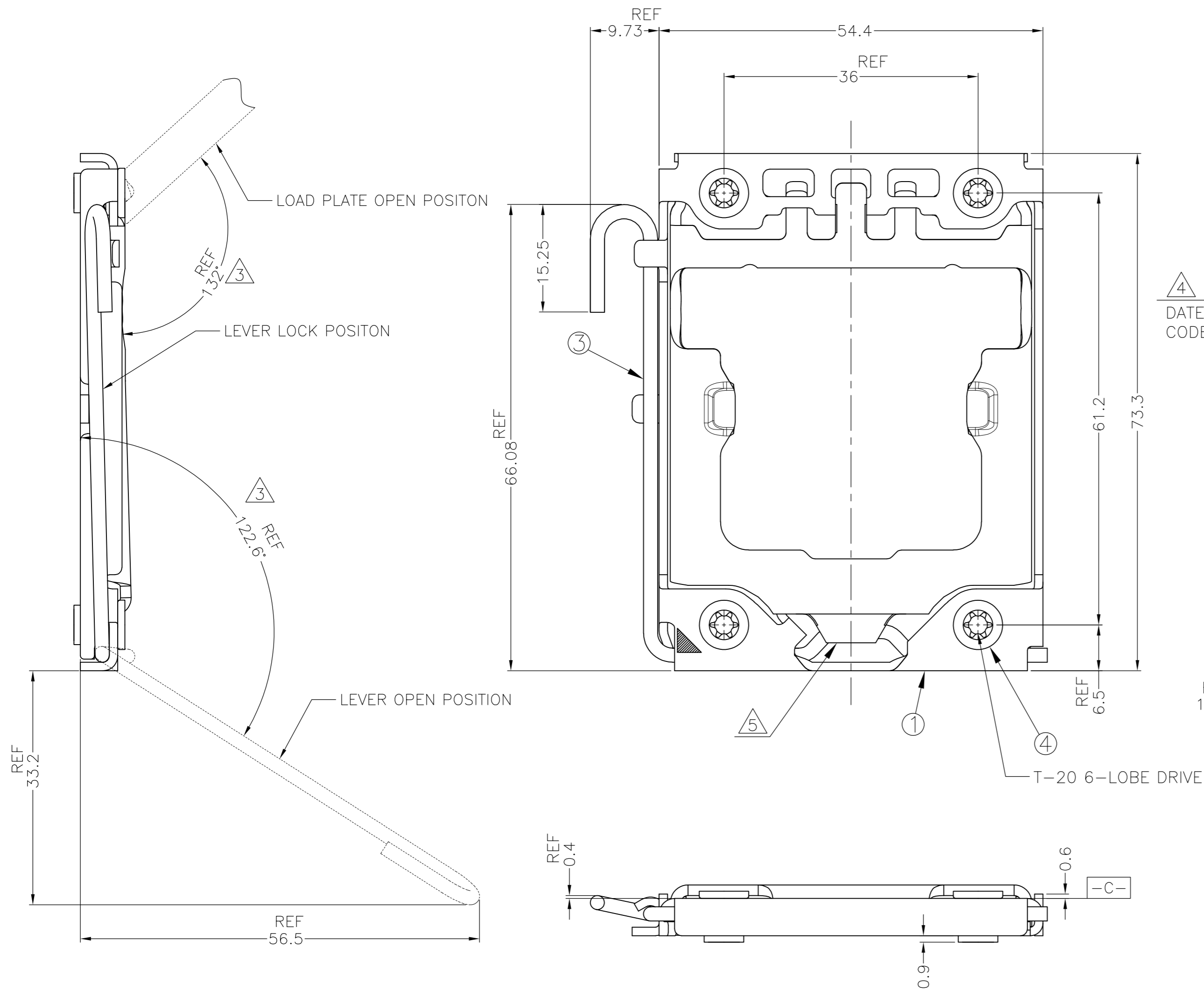


THIS DRAWING IS UNPUBLISHED. RELEASED FOR PUBLICATION MAY 2011.  
 © COPYRIGHT 2011 By Tyco Electronics Japan G.K. ALL RIGHTS RESERVED.

LOC		DIST		REVISIONS			
P	LTR	DESCRIPTION	DATE	DWN	APVD		
J	-	U1	REVISED	20MAY'15	J.W	C.W	



3D VIEW (REFERENCE)

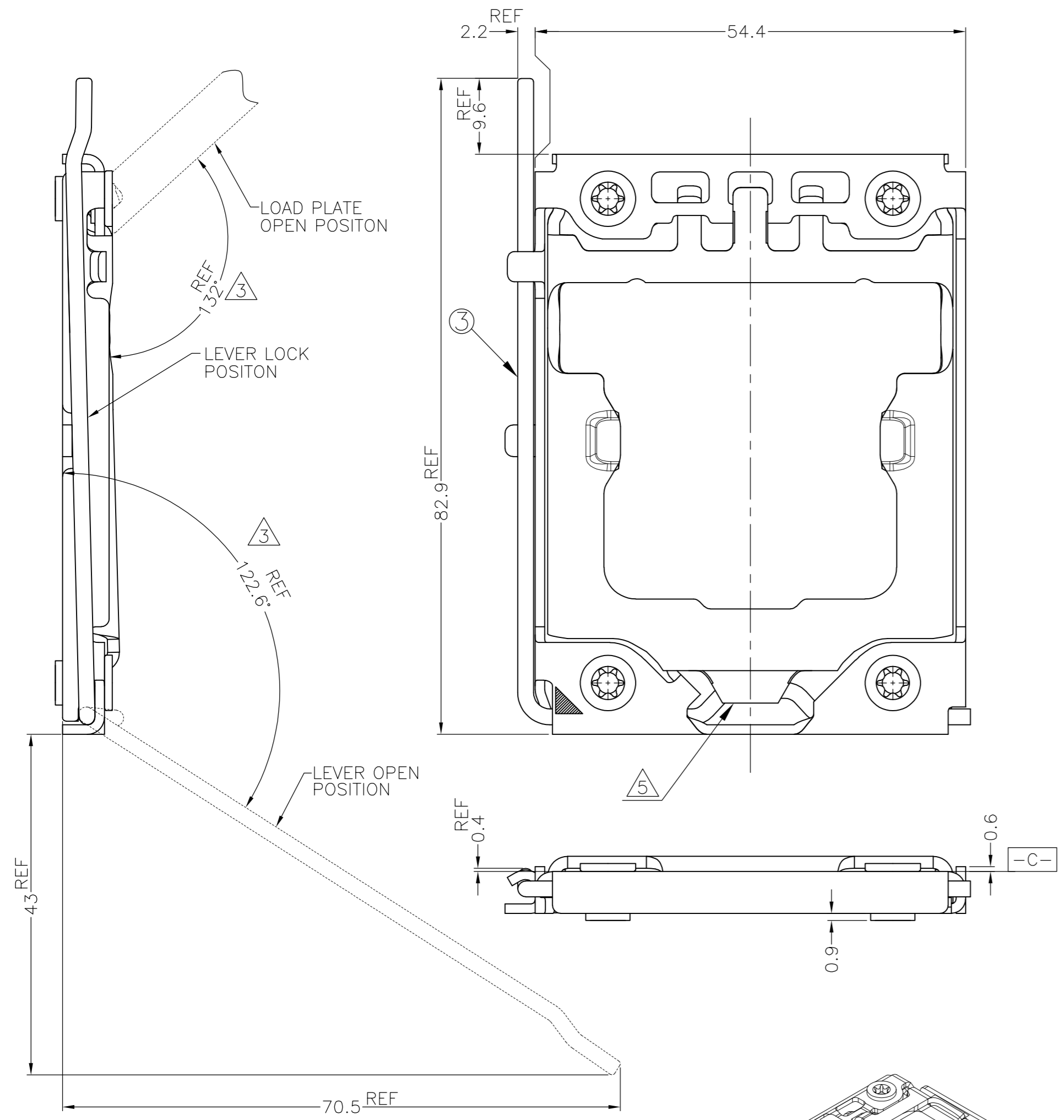
1939738-1 : AS SHOWN

WEIGHT(g)	DESCRIPTION	PART NUMBER
47.1	U LEVER TYPE WITH COVER	2-1939738-1
44.2	SHORT STRAIGHT LEVER TYPE	1-1939738-1
44.0	STRAIGHT LEVER TYPE	1-1939738-2
44.2	U LEVER TYPE	1939738-1

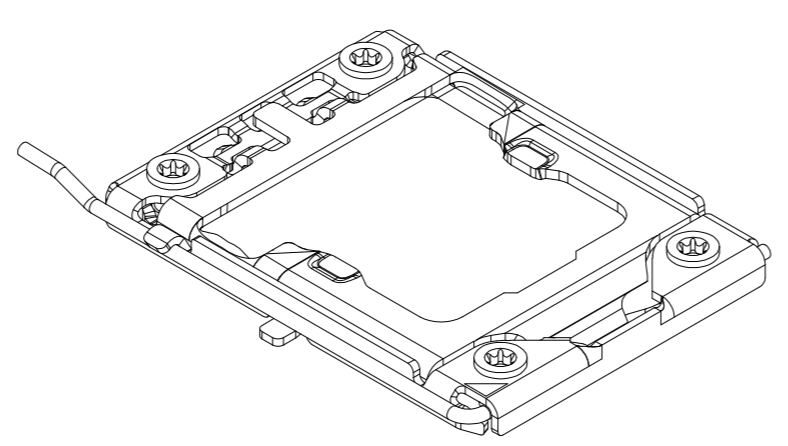
THIS DRAWING IS A CONTROLLED DOCUMENT.		DWN H.TAGUCHI 17DEC2007	<b>TE</b> TE Connectivity	
DIMENSIONS: mm		CHK S.HASHIMOTO 17DEC2007		
TOLERANCES UNLESS OTHERWISE SPECIFIED:		APVD S.HASHIMOTO 17DEC2007	NAME	
0.PLC ±		PRODUCT SPEC	ILM COVER ASSY	
1.PLC ± ±0.3		APPLICATION SPEC	LGA13XX	
2.PLC ±		108-78496	SIZE	CAGE CODE
3.PLC ±		114-5432	A2	00779
4.PLC ±		WEIGHT	DRAWING NO	
ANGLES ±		SEE TABLE	C=1939738	
FINISH		CUSTOMER DRAWING	SCALE	SHEET
			2:1	1 of 3
			REV	U1

THIS DRAWING IS UNPUBLISHED. RELEASED FOR PUBLICATION MAY 2011.  
 © COPYRIGHT 2011 By Tyco Electronics Japan G.K. ALL RIGHTS RESERVED.

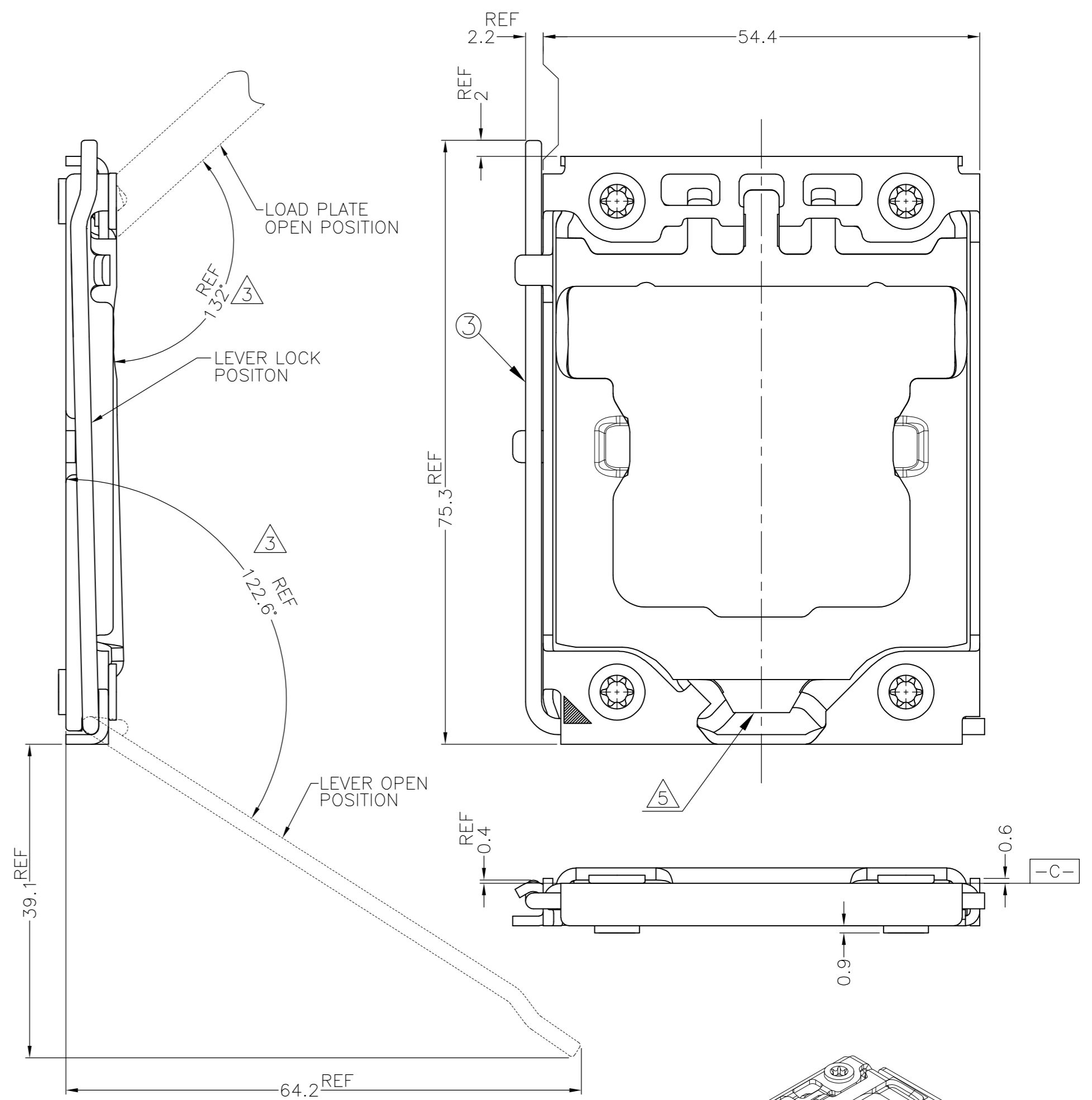
LOC		DIST		REVISIONS			
P	LTR	DESCRIPTION	DATE	DWN	APVD		
-	-	SEE SHEET 1	-	-	-		



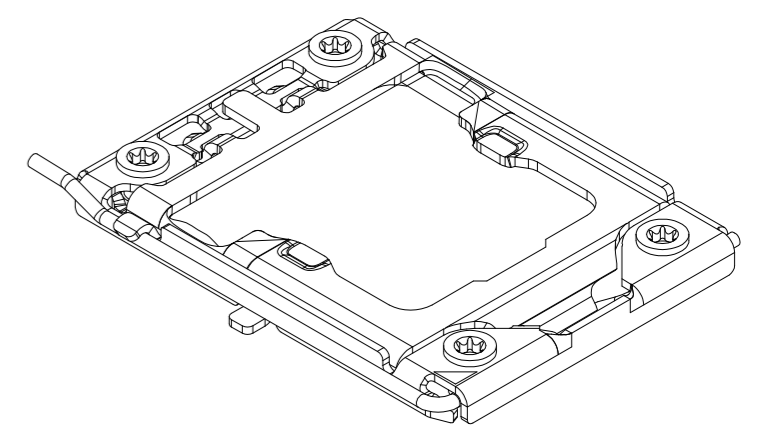
1-1939738-2 : AS SHOWN



3D VIEW (REFERENCE)



1-1939738-1 : AS SHOWN



3D VIEW (REFERENCE)

THIS DRAWING IS A CONTROLLED DOCUMENT.		DWN	TE Connectivity	
DIMENSIONS: mm		CHK	NAME	
TOLERANCES UNLESS OTHERWISE SPECIFIED		APVD	ILM COVER ASSY LGA13XX	
0 PLC ±		PRODUCT SPEC	SIZE	CAGE CODE
1 PLC ± -		APPLICATION SPEC	A2	00779
2 PLC ± -		WEIGHT	DRAWING NO	RESTRICTED TO
3 PLC ± -		CUSTOMER DRAWING	C=1939738	-
4 PLC ± -		SCALE	NTS	SHEET 2 of 3
ANGLES ± -		REV	U1	
FINISH				

4

3

2

1

THIS DRAWING IS UNPUBLISHED. RELEASED FOR PUBLICATION MAY 2011.  
 © COPYRIGHT 2011 By Tyco Electronics Japan G.K. ALL RIGHTS RESERVED.

LOC	DIST	REVISIONS					
		P	LTR	DESCRIPTION	DATE	DWN	APVD
J	-	-	-	SEE SHEET 1	-	-	-

LGA13XX

先装处理器再移除盖片  
 INSTALL PROCESSOR  
 BEFORE REMOVING COVER  
 保存并装回盖片当处理器被移除  
 SAVE AND REPLACE COVER  
 IF PROCESSOR IS REMOVED

REMOVE

REF 1.45

-C-

REF 5.03

XXXXXX

13XXLM

TE

REF 5.01

⑥

47

67.7

LGA13XX

先装处理器再移除盖片  
 INSTALL PROCESSOR  
 BEFORE REMOVING COVER  
 保存并装回盖片当处理器被移除  
 SAVE AND REPLACE COVER  
 IF PROCESSOR IS REMOVED

REMOVE

40.8

5.05

3.3

ILM COVER  
 P/N: 1-2134711-1

3D VIEW (REFERENCE)

1. MATERIAL

- ① FRAME: STAINLESS STEEL
- ② LOAD PLATE: STAINLESS STEEL
- ③ LEVER: SUS304, 2 DIA  
FINISH: NICKEL PLATING
- ④ NUT: STEEL  
FINISH: NICKEL PLATING
- ⑤ COLLAR: STEEL  
FINISH: NICKEL PLATING
- ⑥ COVER: THERMO-PLASTIC, UL94 V-0, BLACK

2. APPLICABLE SOCKET ASSY LGA1366 OR SOCKET ASSY LGA1356  
 (DRAWING NUMBER: 1981837 OR 1554116 OR 2229732)

- ⚠ DO NOT OPEN WITH FORCE FROM OPEN END
- ⚠ INDICATED DATE CODE ON THE FRAME
- ⚠ LOAD PLATE IS NOT LOCKED BY LEVER

2-1939738-1 : AS SHOWN  
 UNLESS SPECIFIED  
 DIMENSIONS ARE SAME WITH -1

THIS DRAWING IS A CONTROLLED DOCUMENT.		DWN		
DIMENSIONS: mm		CHK		
TOLERANCES UNLESS OTHERWISE SPECIFIED		APVD	NAME	
0 PLC ±		PRODUCT SPEC	ILM COVER ASSY LGA13XX	
1 PLC ± -		APPLICATION SPEC	SIZE	CAGE CODE
2 PLC ± -		WEIGHT	A2	00779
3 PLC ± -		CUSTOMER DRAWING	DRAWING NO	RESTRICTED TO
4 PLC ± -		SCALE	C=1939738	-
ANGLES ± -		SHEET	3 OF 3	REV
FINISH		NTS	U1	

1471-9 (3/11)

Downloaded From [Onevac.com](http://Onevac.com)

1939738

B

A

单击下面可查看定价，库存，交付和生命周期等信息

[>>TE Connectivity\(泰科\)](#)