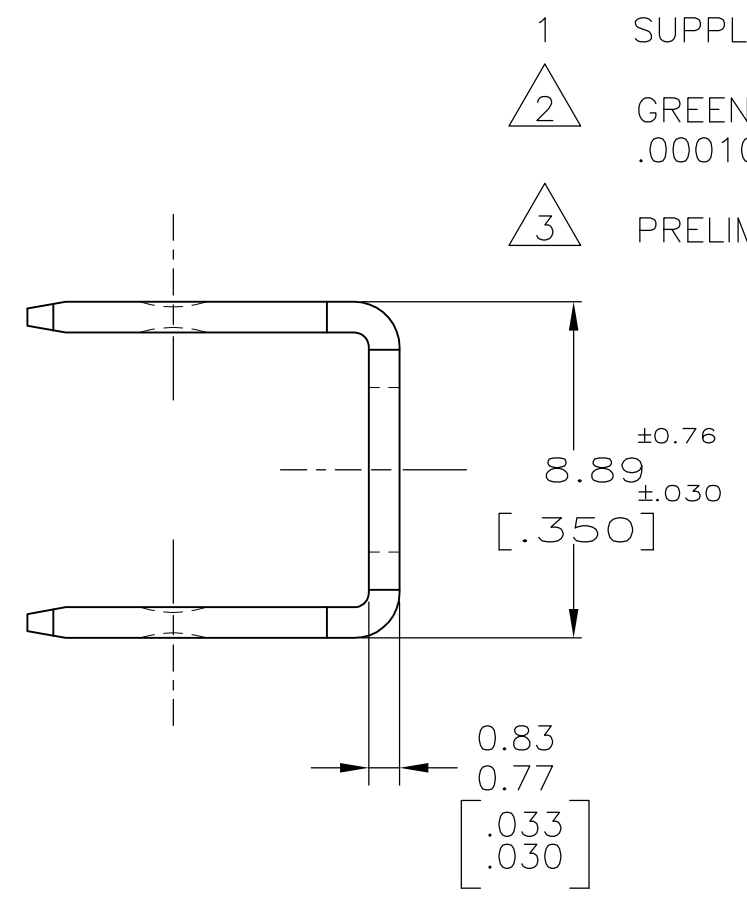
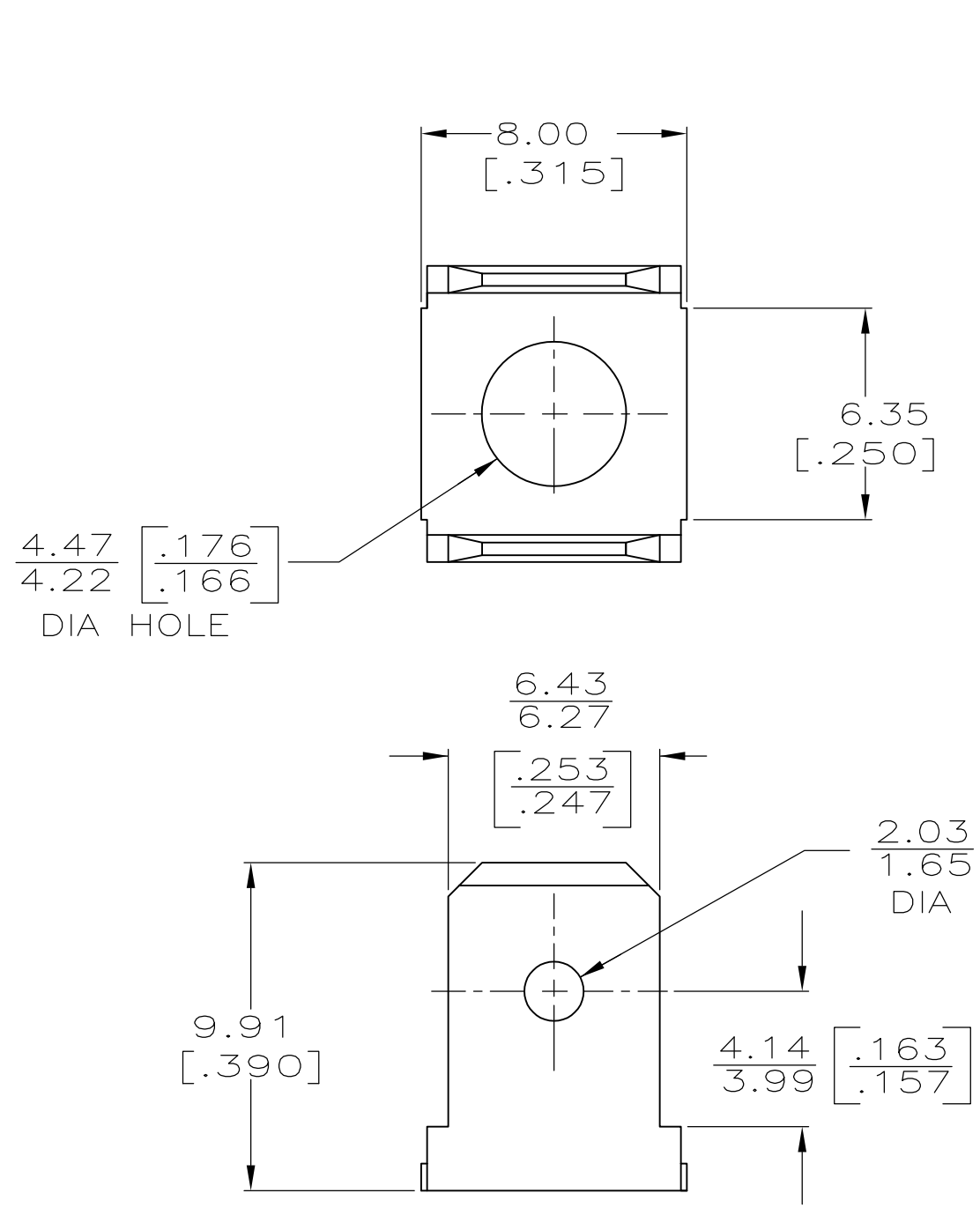


THIS DRAWING IS UNPUBLISHED. RELEASED FOR PUBLICATION
 © COPYRIGHT - By - ALL RIGHTS RESERVED.

LOC	DIST	REVISIONS			
P	LTR	DESCRIPTION	DATE	DWN	APVD
AF	50				
		REVISD PER ECR-13-011489	07DEC2013	KH	PD



- 1 SUPPLIED IN LOOSE PIECE.
- △ 2 GREEN DYE OVER ZINC .000100 MIN PLATING.
- △ 3 PRELIMINARY - NOT FOR PRODUCTION.

△ 2	△ 3	41619-3
-		41619
FINISH		PART NO

THIS DRAWING IS A CONTROLLED DOCUMENT.		DWN	JR RUTH	12/2/91	STE TE Connectivity		
DIMENSIONS: mm [INCHES]		CHK	MS FEHER	12/2/91			
TOLERANCES UNLESS OTHERWISE SPECIFIED:		APVD	MEYERS	12/2/91	NAME		
0 PLC ± -		PRODUCT SPEC		TAB, FASTON, 6.35 [.250] SERIES			
1 PLC ± -		APPLICATION SPEC		SIZE	CAGE CODE	DRAWING NO	RESTRICTED TO
2 PLC ± -		MATERIAL		A300779		C-41619	-
3 PLC ± 0.38 [.015]		FINISH		CUSTOMER DRAWING			
4 PLC ± -		SEE TABLE		SCALE	5:1	SHEET	1 OF 1
ANGLES ± -				REV	AH		

单击下面可查看定价，库存，交付和生命周期等信息

[>>TE Connectivity\(泰科\)](#)