

4

3

2

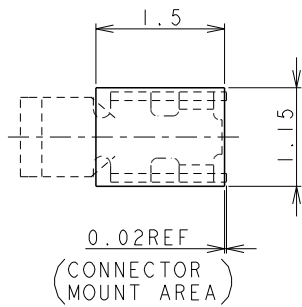
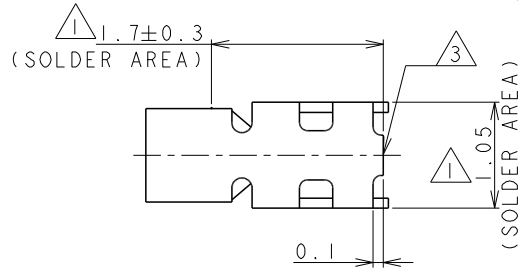
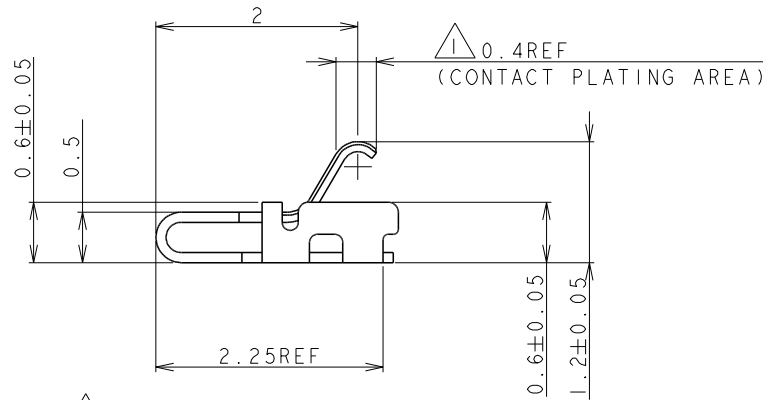
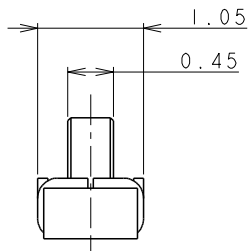
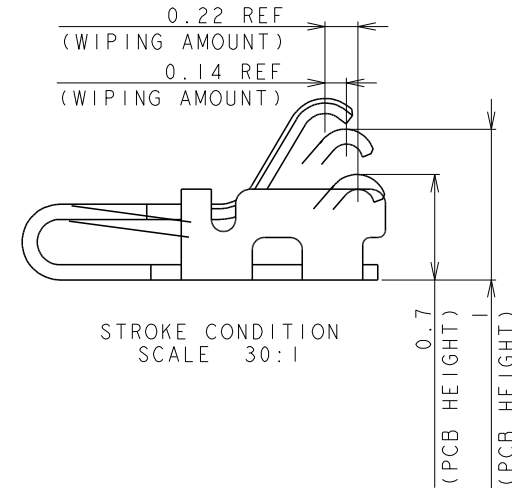
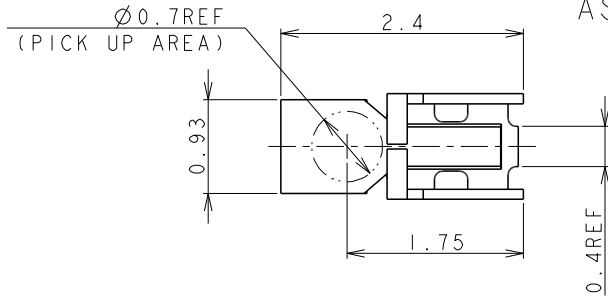
1

THIS DRAWING IS UNPUBLISHED. RELEASED FOR PUBLICATION 20
© COPYRIGHT 20 BY - ALL RIGHTS RESERVED.

LOC J DIST

REVISIONS			DATE	DWN	APVD
P	LTR	DESCRIPTION			
	A	REVISED	01 JUL 2010	Y. K	Y. N
	B	REVISED PER ECR-12-020867	24 JAN 2013	F. L	S. Y
	B1	REVISED PER ECR-13-008919	03 JUN 2013	R. W	S. Y
	B2	REVISED PER ECR-16-017382	12 JUN 2017	J. J	W. H

AS SHOWN: - 1 & - 3



PCB LAYOUT (REFERENCE)

NOTES:

- △ FINISH (PLATING SPECIFICATION)
Ni UNDER PLATING : 0.0008mm TO 0.002mm
Au PLATING (CONTACT PLATING AREA) : 0.00025mm TO 0.0005mm
Au PLATING (SOLDER AREA) : 0.00005mm TO 0.0005mm
- △ MATERIAL : COPPER ALLOY, THK.=0.1mm
- △ CUTTING BURR : 0.05mm MAX.
- 4 DISUSED PACKAGING MATERIAL : DRYPACK AND BAKING PROCESS.
- △ POST-PLATING SPECIFICATION:
Ni UNDER PLATING:0.8um TO 2.0um
Au PLATING(CONTACT PLATING):0.3um MIN
Au PLATING(SOLDER PLATING):0.01um TO 0.2um
- 6 NORMAL FORCE AT 1.0mm HEIGHT IS 0.3N MIN
NORMAL FORCE AT 0.7mm HEIGHT IS 1.1N MAX

△	△	2134078-3
△	△	2134078-1
FINISH	MATERIAL	PART NUMBER

THIS DRAWING IS A CONTROLLED DOCUMENT.

DIMENSIONS:	TOLERANCES UNLESS OTHERWISE SPECIFIED:
mm	± 0.15
0-PLC	±
1-PLC	±0.5
2-PLC	±0.13
3-PLC	±0.013
4-PLC	±0.0001
ANGLES	±3°

MATERIAL	FINISH
△ 2	△ 1

DWN	22APR2010
Y. KUDO	
CHK	22APR2010
C. OHASHI	
APVD	22APR2010
Y. NAKAZAWA	
PRODUCT SPEC	
APPLICATION SPEC	
WEIGHT	4.4 mg
Customer Drawing	

STE TE Connectivity	
NAME - SHIELD FINGER 1210	
SIZE	CAGE CODE
A3	00779
DRAWING NO	RESTRICTED TO
C=2134078	-
SCALE	SHEET
20:1	1 OF 2
REV	B2

4

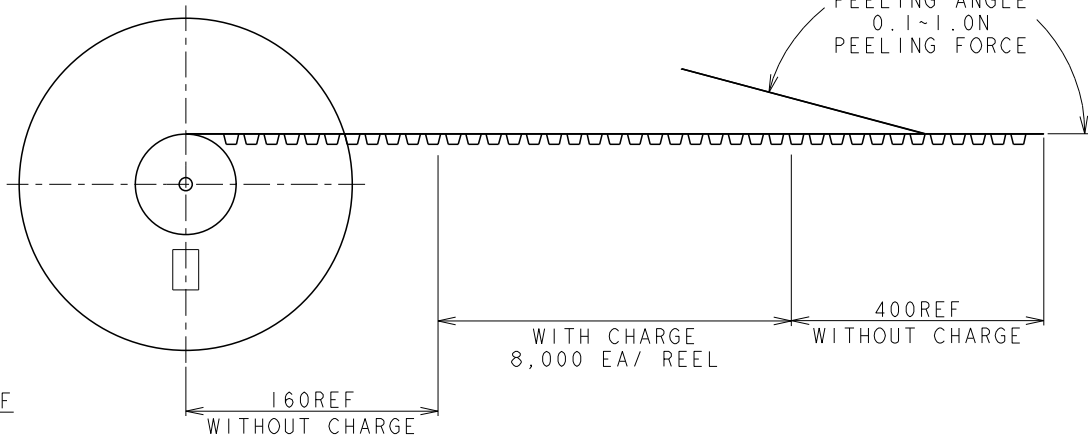
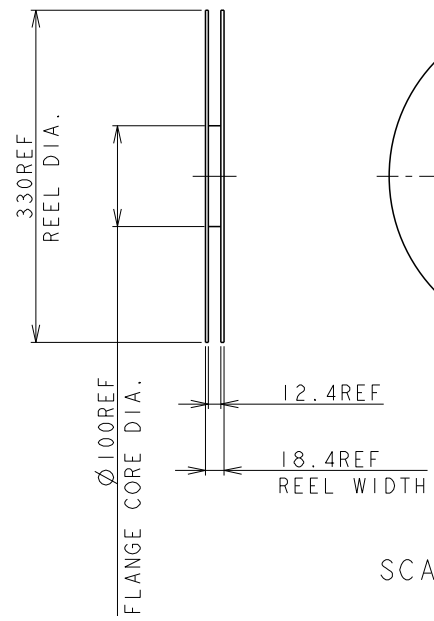
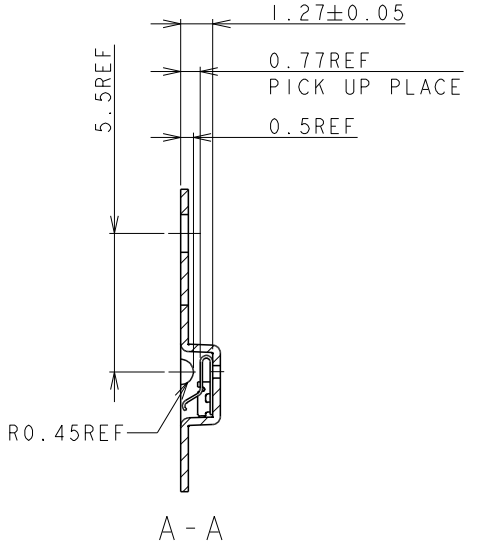
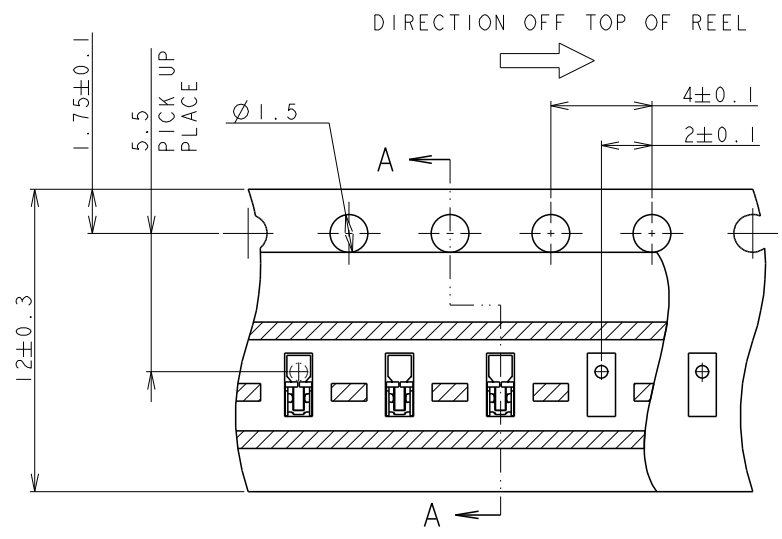
3

2

1

THIS DRAWING IS UNPUBLISHED. RELEASED FOR PUBLICATION 20
 © COPYRIGHT 20 BY - ALL RIGHTS RESERVED.

LOC		DIST		REVISIONS			
P	LTR	DESCRIPTION		DATE	DWN	APVD	
	-	SEE SHEET 1		-	-	-	



SCALE 1:5

THIS DRAWING IS A CONTROLLED DOCUMENT.

DIMENSIONS: mm	TOLERANCES UNLESS OTHERWISE SPECIFIED: ± 0.2	DWN Y. KUDO 22APR2010	TE Connectivity SHIELD FINGER 1210
	0-PLC ± 0.5	CHK C. OHASHI 22APR2010	
	1-PLC ± 0.5	APVD Y. NAKAZAWA 22APR2010	
	2-PLC ± 0.13	PRODUCT SPEC	
MATERIAL	FINISH	APPLICATION SPEC	NAME - SIZE A300779 CAGE CODE DRAWING NO C=2134078
		WEIGHT 4.4 mg	RESTRICTED TO

Customer Drawing SCALE 20:1 SHEET 2 OF 2 REV B2

单击下面可查看定价，库存，交付和生命周期等信息

[>>TE Connectivity\(泰科\)](#)