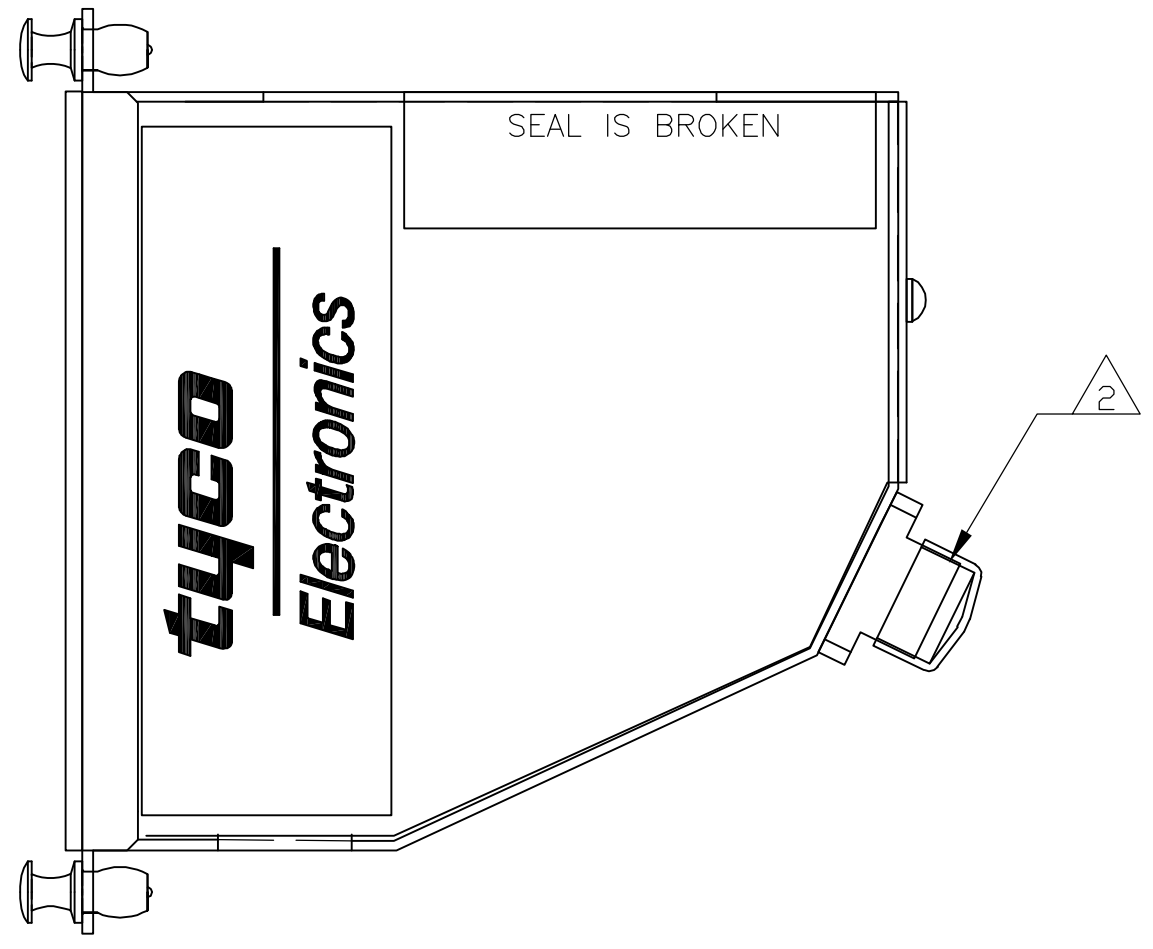
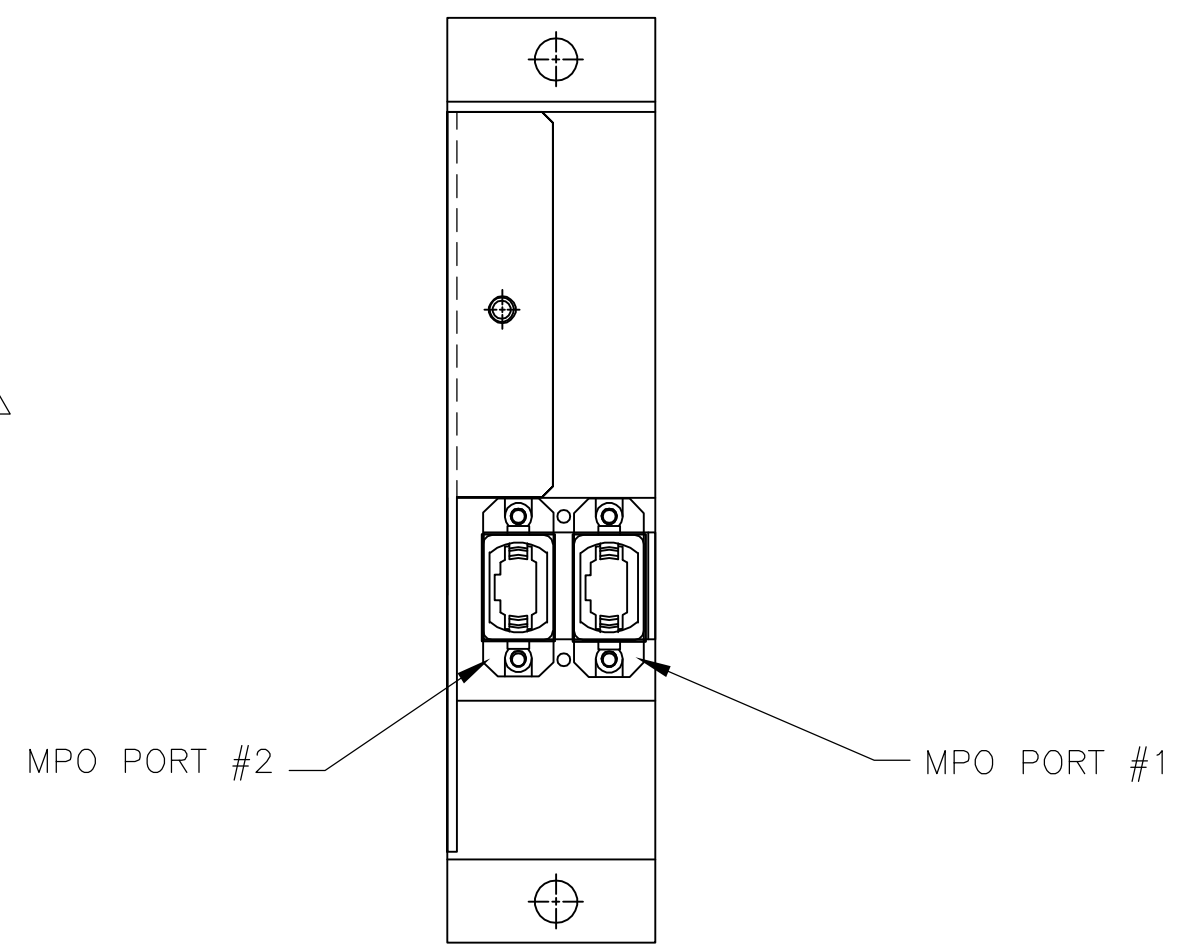


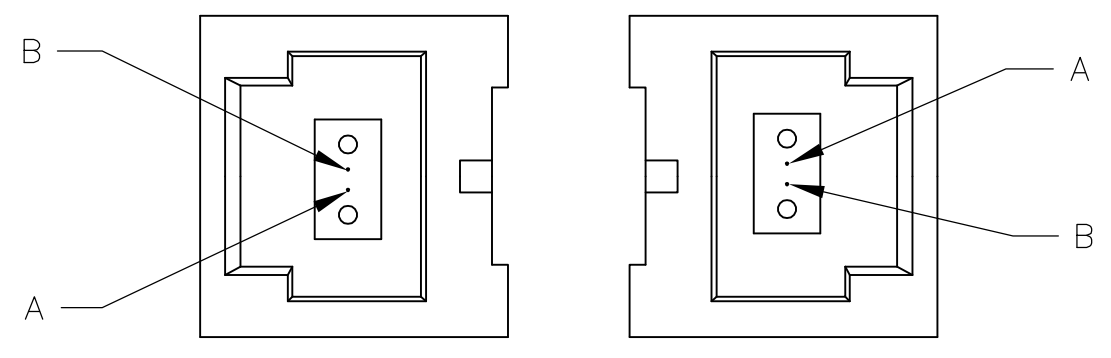
FRONT VIEW



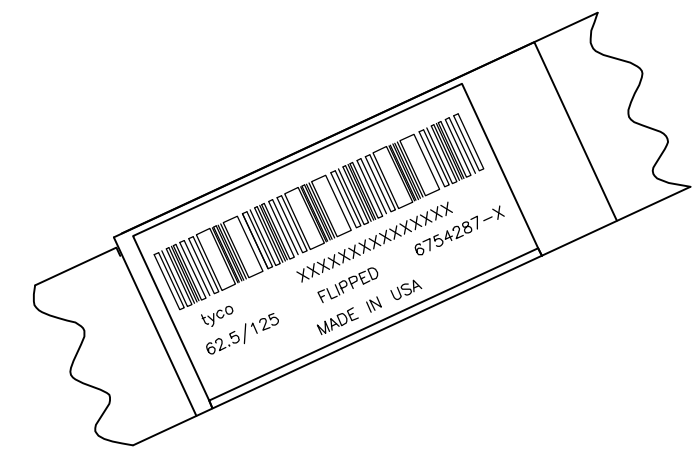
RIGHT SIDE VIEW



REAR VIEW



DETAIL C
 NOT TO SCALE
 TYP. 6 PLC.

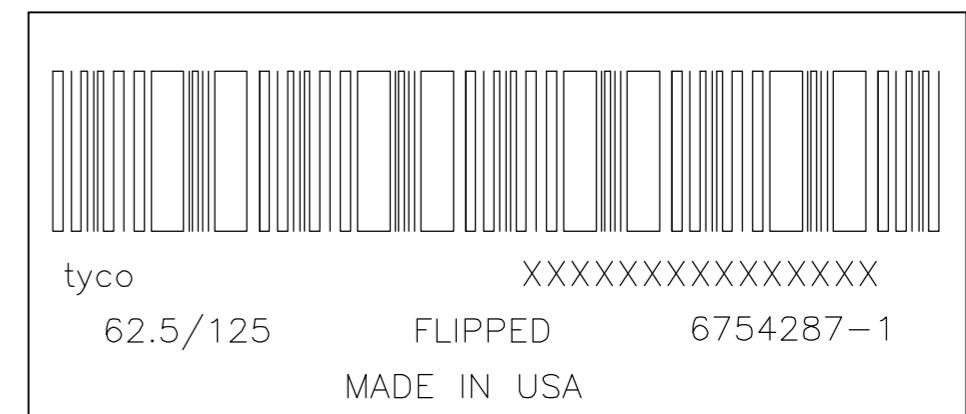


THIS DRAWING IS A CONTROLLED DOCUMENT.		DWN D. FENNELL 19MAR07	 Tyco Electronics Corporation Harrisburg, Pa 17105-3608
DIMENSIONS: mm		CHK D. FENNELL 19MAR07	
TOLERANCES UNLESS OTHERWISE SPECIFIED: 0 PLC ± - 1 PLC ± - 2 PLC ± - 3 PLC ± - 4 PLC ± - ANGLES ± - FINISH -		APVD D. FENNELL 19MAR07	NAME CASSSETTE ASSY, 62.5/125um, 12 PORT MPO SECURE TO MT-RJ SECURE, PAIRS FLIPPED
MATERIAL		PRODUCT SPEC	APPLICATION SPEC
		SIZE A2	CAGE CODE 00779
		DRAWING NO 6754287	RESTRICTED TO
		CUSTOMER DRAWING	SCALE NTS
		SHEET 1 OF 2	REV A1

THIS DRAWING IS UNPUBLISHED. RELEASED FOR PUBLICATION
 © COPYRIGHT BY TYCO ELECTRONICS CORPORATION. ALL RIGHTS RESERVED.

Loc	DIST	REVISIONS					
CE	17	P	LTR	DESCRIPTION	DATE	DWN	APVD
		-		SEE SHEET 1	-	-	-

- 1. MAXIMUM CASSETTE ASSEMBLY LOSS: 1.25dB.
- 2. WHITE MARKING ON MPO TO BE FACING TOWARD TOP OF CONNECTOR MODULE. WHITE MARK INDICATES FIBER 1 SIDE.
- 3. SEE TRACE LABEL DETAIL.
- 4. SEE DETAIL C FOR FIBER CHANNEL ORIENTATION.
- 5. PRODUCT AND PROCESSING MUST MEET REQUIREMENTS OF TYCO ELECTRONICS STANDARD 230-702.
- 6. A COPY OF CASSETTE ASSEMBLY LOSS TEST DATA WILL BE PLACED INSIDE OR WITH THE UNIT PACKAGE. CASSETTES WILL BE TESTED AT 1300nm WAVELENGTH.



FIBER PATH (PAIRS FLIPPED)

MPO PORT NUMBER	MPO FIBER NO	MT-RJ PORT NUMBER AND CHANNEL
#1	1	1A
	2	1B
	3	2A
	4	2B
	5	3A
	6	3B
	7	4A
	8	4B
	9	5A
	10	5B
	11	6A
	12	6B
#2	1	7A
	2	7B
	3	8A
	4	8B
	5	9A
	6	9B
	7	10A
	8	10B
	9	11A
	10	11B
	11	12A
	12	12B

AQUA SECURE	AQUA SECURE	1-6754287-1
SLATE SECURE	SLATE SECURE	1-6754287-0
ROSE SECURE	ROSE SECURE	6754287-9
VIOLET SECURE	VIOLET SECURE	6754287-8
BROWN SECURE	BROWN SECURE	6754287-7
ORANGE SECURE	ORANGE SECURE	6754287-6
YELLOW SECURE	YELLOW SECURE	6754287-5
BLUE SECURE	BLUE SECURE	6754287-4
GREEN SECURE	GREEN SECURE	6754287-3
RED SECURE	RED SECURE	6754287-2
BLACK STANDARD	ALMOND STANDARD	6754287-1
MPO COUPLING BUSHING COLOR & TYPE	MT-RJ ADAPTER COLOR & TYPE	PART NUMBER

THIS DRAWING IS A CONTROLLED DOCUMENT.		DWN D. FENNELL 19MAR07	tyco Tyco Electronics Corporation	
DIMENSIONS: mm		CHK D. FENNELL 19MAR07	Harrisburg, Pa 17105-3608	
TOLERANCES UNLESS OTHERWISE SPECIFIED:		APVD D. FENNELL 19MAR07	NAME CASSETTE ASSY, 62.5/125um, 12 PORT MPO SECURE TO MT-RJ SECURE, PAIRS FLIPPED	
0 PLC ± -		PRODUCT SPEC	SIZE CAGE CODE DRAWING NO RESTRICTED TO	
1 PLC ± -		APPLICATION SPEC	A2 00779 C=6754287	
2 PLC ± -		WEIGHT	SCALE NTS SHEET 2 of 2 REV A1	
3 PLC ± -		CUSTOMER DRAWING		
4 PLC ± -				
ANGLES ± -				
FINISH				

6754287

单击下面可查看定价，库存，交付和生命周期等信息

[>>TE Connectivity\(泰科\)](#)