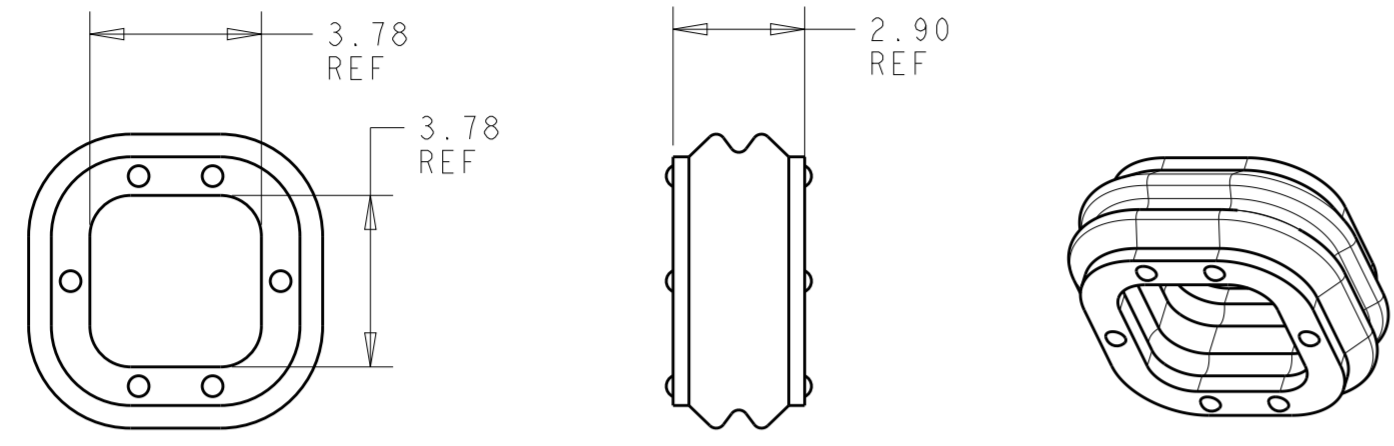


THIS DRAWING IS UNPUBLISHED. RELEASED FOR PUBLICATION 2018
 © COPYRIGHT 2018 BY - ALL RIGHTS RESERVED.

REVISIONS				
P	LTR	DESCRIPTION	DATE	APVD
A		RELEASED PER ECO-19-011398	23JUL2019	BKW CY
A1		REVISED PER ECR-20-100211	08AUG2020	JP VS

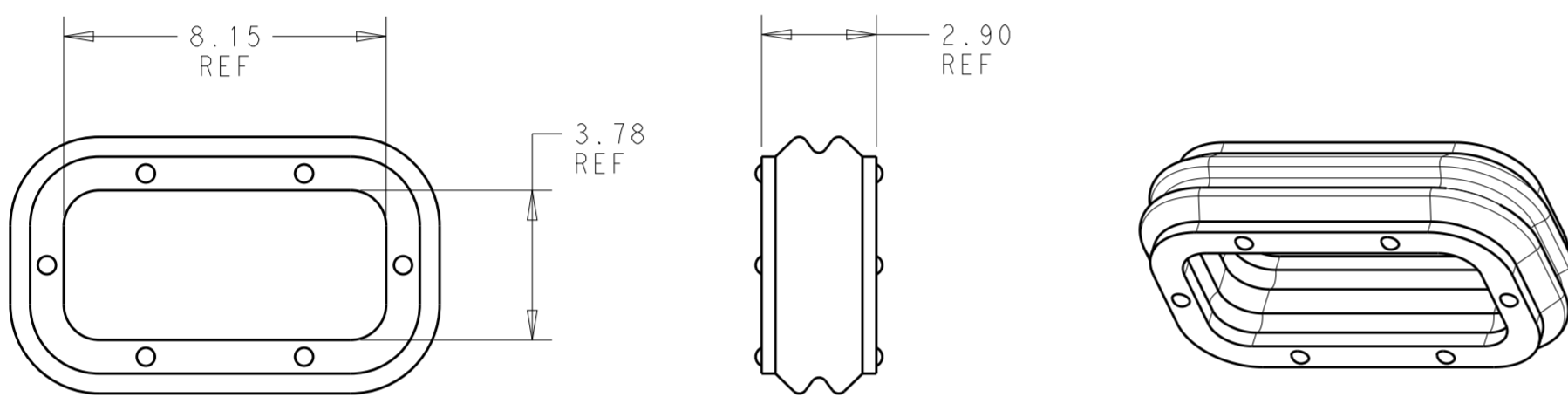


1*1 POSITION

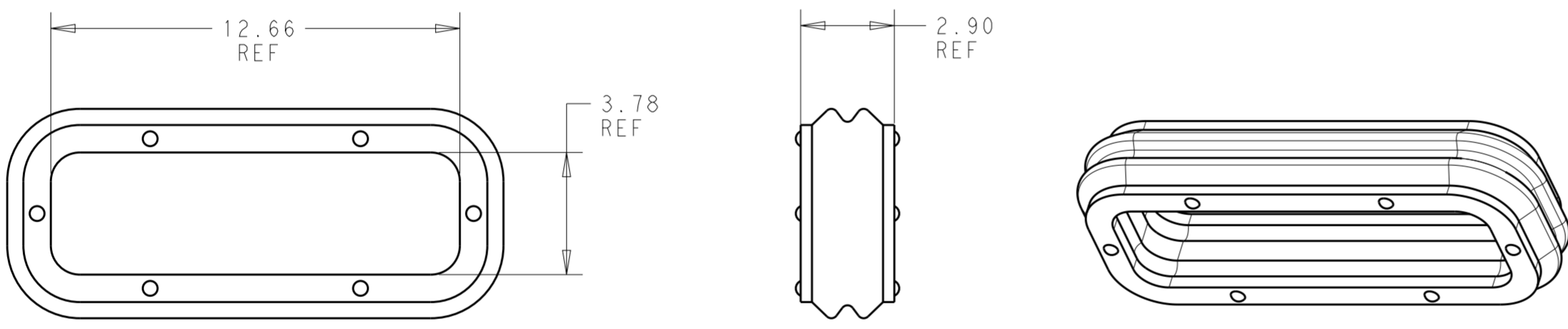
⚠ MATERIAL: SILICONE RUBBER, INHERENTLY LUBRICATED
 COLOR - BLUE

2. MATING PLUG HOUSING P/N'S:
 -2332040-/*-2336229-*/*-2345728-1

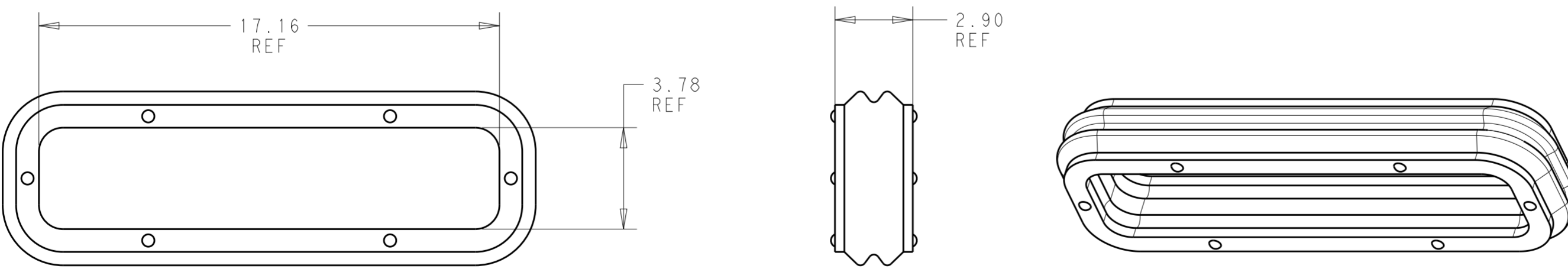
⚠ PRELIMINARY PART - NOT RELEASED FOR PRODUCTION



1*2 POSITION



1*3 POSITION



1*4 POSITION

1*4	⚠ 2325347-4
1*3	2325347-3
1*2	2325347-2
1*1	2325347-1
POSITIONS	PART NUMBER

THIS DRAWING IS A CONTROLLED DOCUMENT.		DWN B. WEAVER 15JUN2018	TE Connectivity INTERFACE SEAL, POWER VERSA-LOCK	
DIMENSIONS: mm		CHK S. FERNANDES 15JUN2018		
TOLERANCES UNLESS OTHERWISE SPECIFIED:		APVD C. YI 15JUN2018	NAME	
0 PLC	±	PRODUCT SPEC	-	
1 PLC	±	108-143081	SIZE	
2 PLC	±	APPLICATION SPEC	A200779	
3 PLC	±	114-143082	CAGE CODE	
4 PLC	±	WEIGHT	G-2325347	
ANGLES	±	CUSTOMER DRAWING	DRAWING NO	
FINISH	-	SCALE 6:1	RESTRICTED TO	
	-	SHEET 1 OF 1	REV A1	

单击下面可查看定价，库存，交付和生命周期等信息

[>>TE Connectivity\(泰科\)](#)