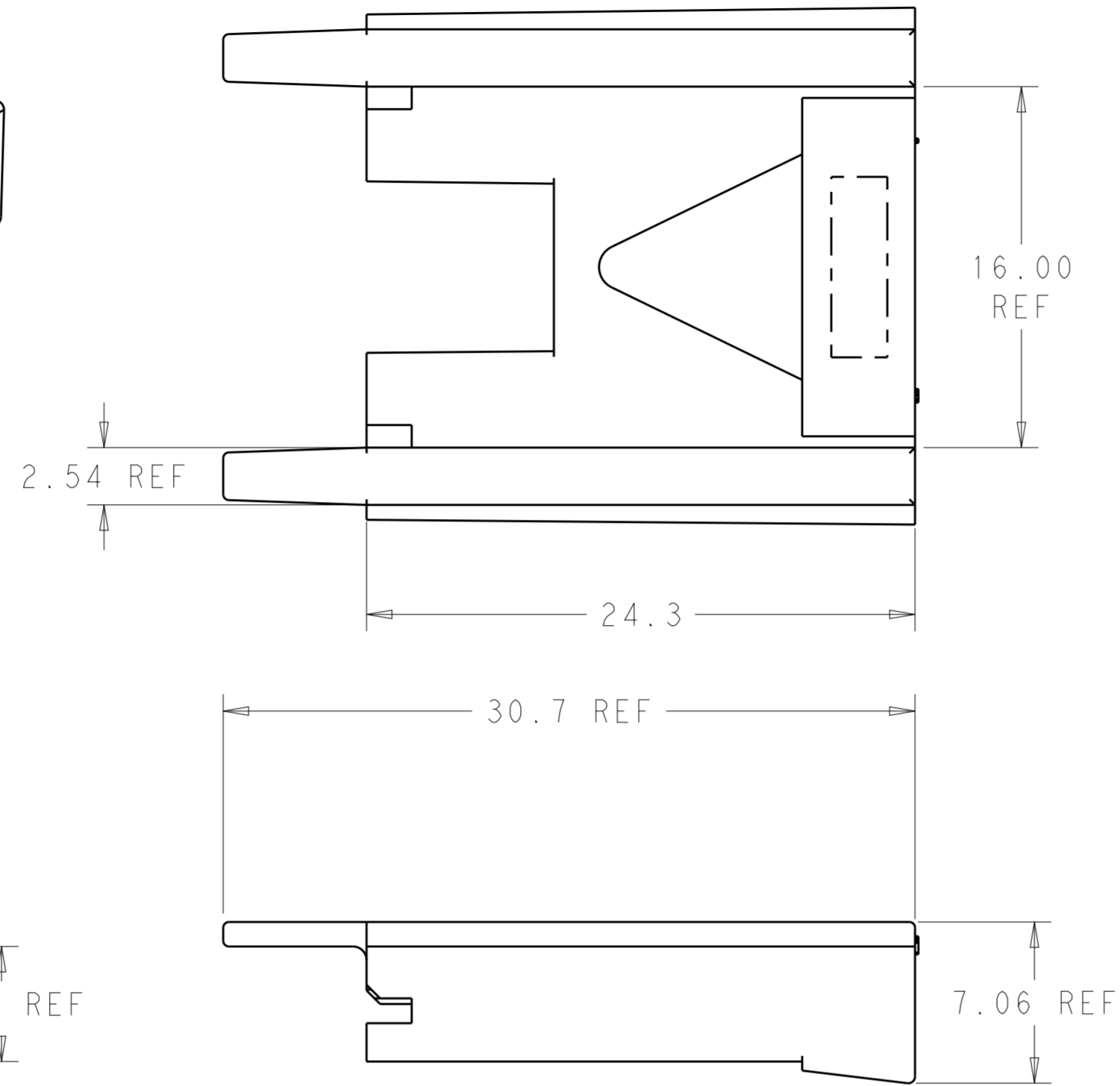
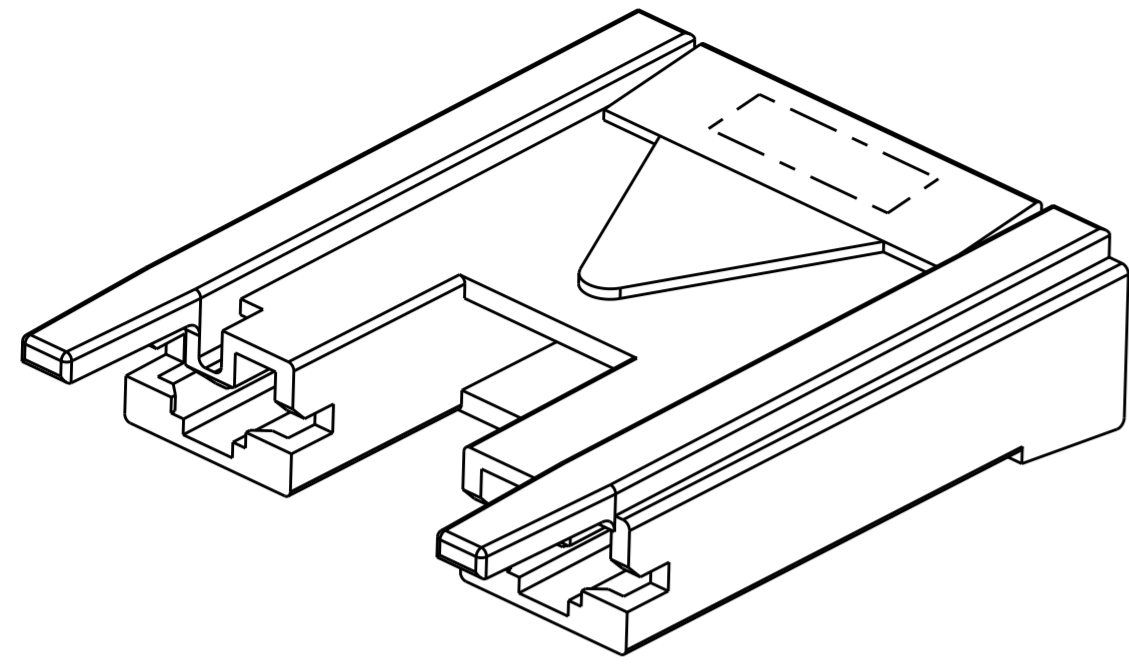
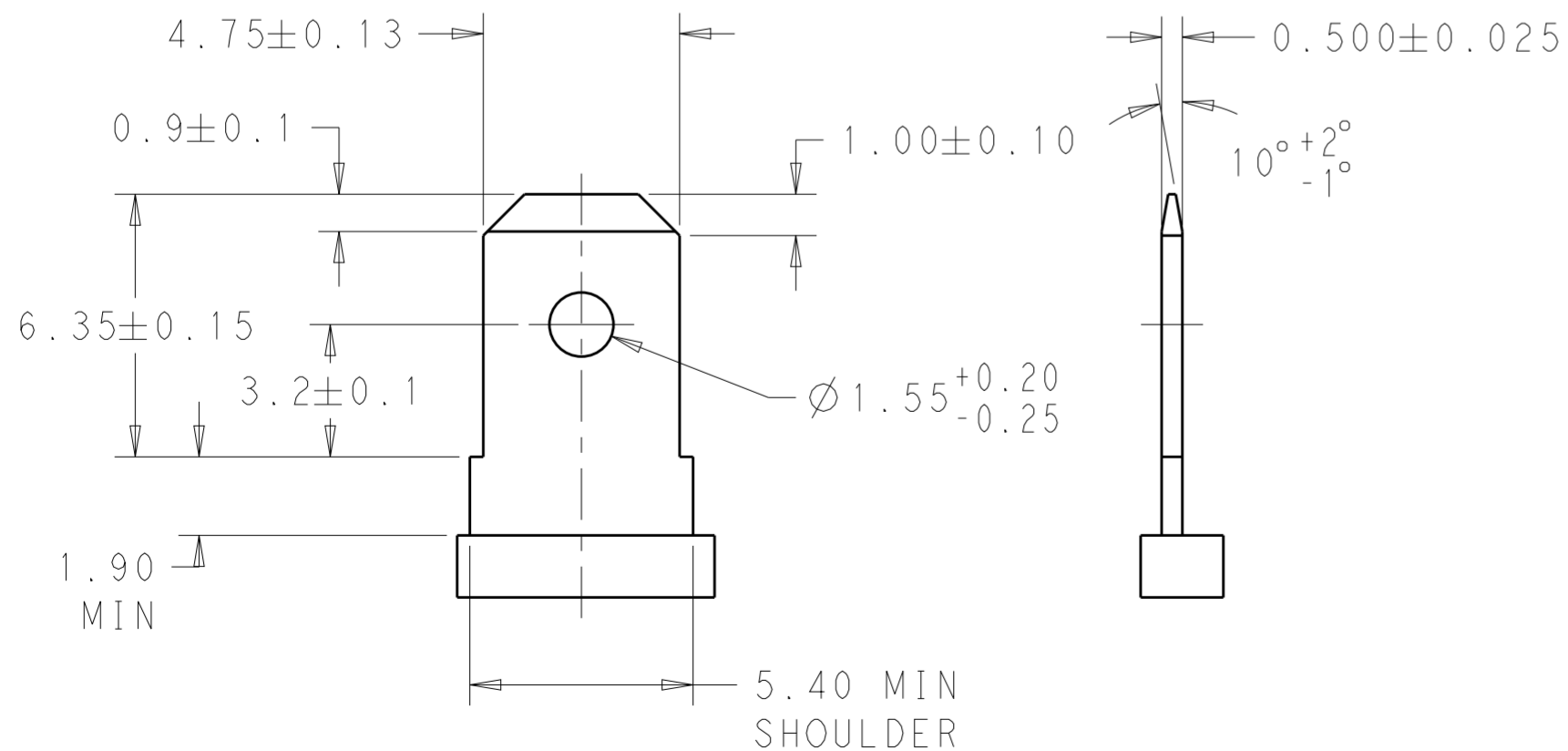
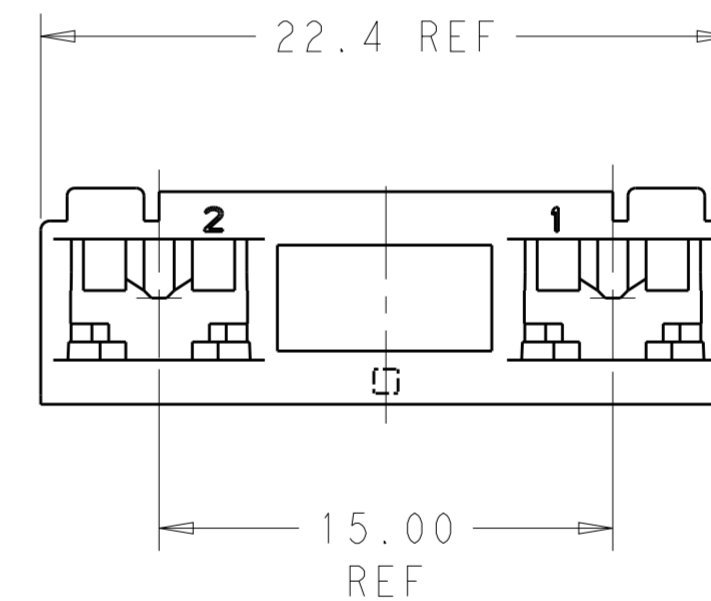
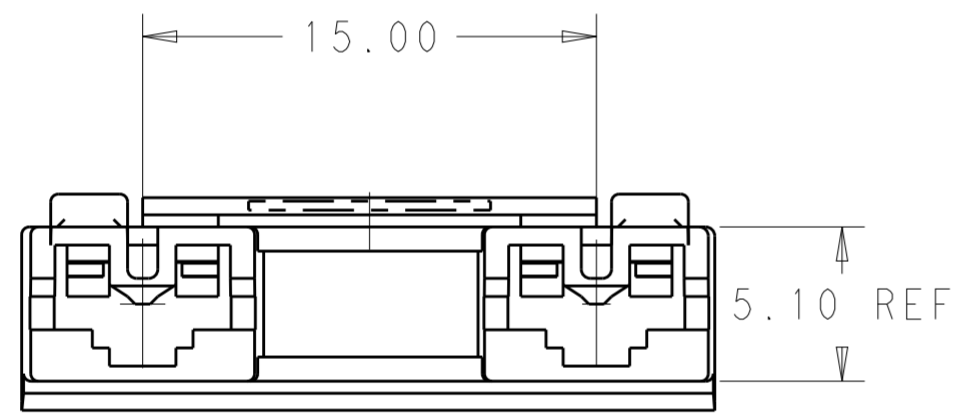


THIS DRAWING IS UNPUBLISHED. RELEASED FOR PUBLICATION  
 © COPYRIGHT copyright.d8te- ALL RIGHTS RESERVED.

REVISIONS				
P	LTR	DESCRIPTION	DATE	APVD
A		RELEASED PER ECO-15-016317	12NOV15	JR MD



1 ACCEPTS 4.75 [.187] SERIES POSITIVE-LOCK RECEPTACLES P/N'S 170324-X, 170325-X, OR 170326-X.



RECOMMENDED MATING TAB DIM'S  
 SCALE 6:1

1969735-1  
 PART NO.

THIS DRAWING IS A CONTROLLED DOCUMENT.		DWN JR RUTH 12-Nov-15	TE Connectivity	
DIMENSIONS: mm		CHK MIKE DIDONATO 19MART15		
TOLERANCES UNLESS OTHERWISE SPECIFIED:		APVD MIKE DIDONATO 19MART15	NAME HOUSING, POSI-LOCK MKII .187 SERIES, 2 POSITION	
0 PLC ±		PRODUCT SPEC	SIZE A2	
1 PLC ±0.3		APPLICATION SPEC	CAGE CODE -	
2 PLC ±0.30		WEIGHT	DRAWING NO C-1969735	
3 PLC ±0.30		FINISH	RESTRICTED TO -	
4 PLC ±		MATERIAL NYLON, V0	SCALE 12:1	
ANGLES ±		COLOR-NATURAL	SHEET 1 OF 1	
FINISH		Customer Drawing	REV A	

单击下面可查看定价，库存，交付和生命周期等信息

[>>TE Connectivity\(泰科\)](#)