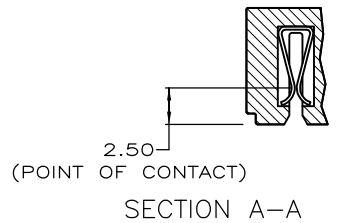
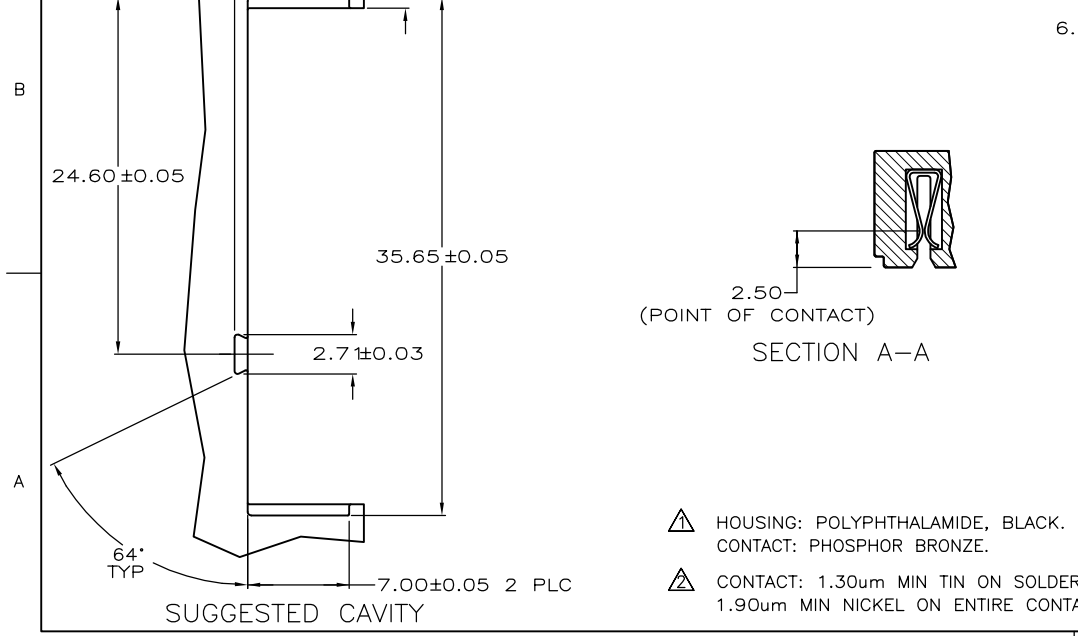
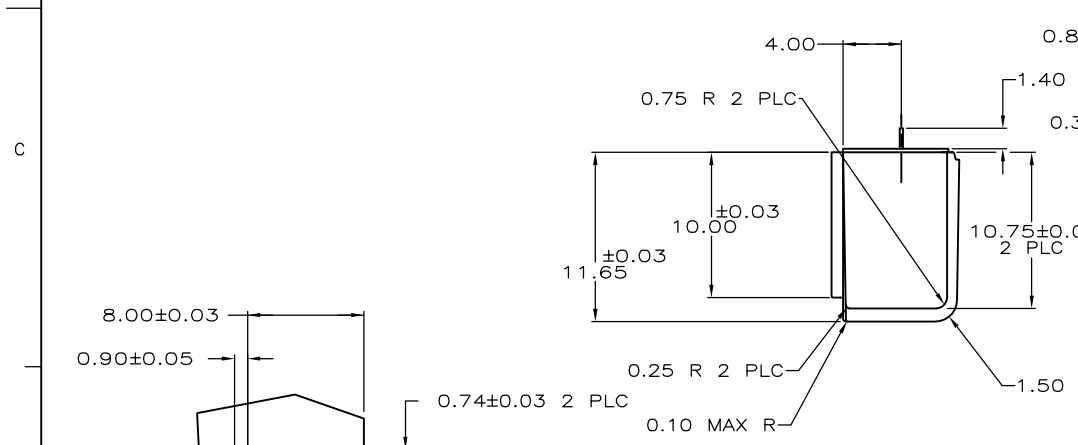
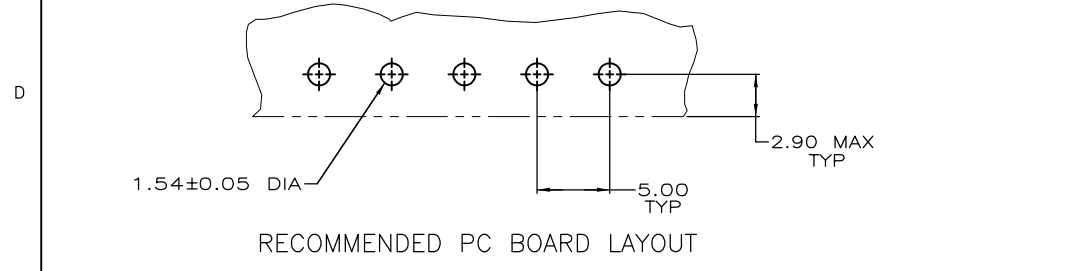
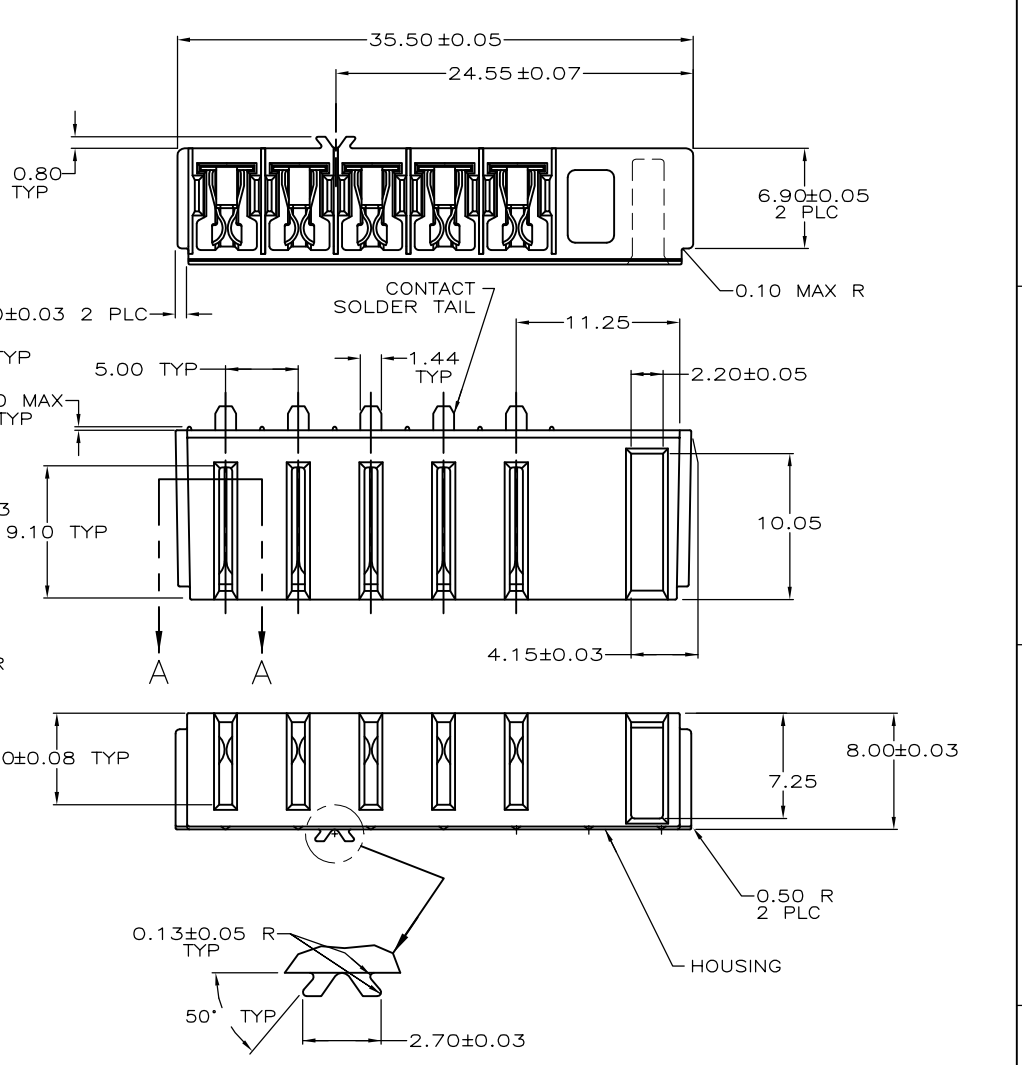


LOC	DIST	REVISIONS			
P	LTR	DESCRIPTION	DATE	DNW	APD
ES	00	0	RELEASED	ECR-05-001438	11APR05 J.Z I.E



- ▲ HOUSING: POLYPHTHALAMIDE, BLACK.
CONTACT: PHOSPHOR BRONZE.
- ▲ CONTACT: 1.30um MIN TIN ON SOLDER TAIL OVER
1.90um MIN NICKEL ON ENTIRE CONTACT.



5787802-1
PART NUMBER

THIS DRAWING IS A CONTROLLED DOCUMENT.		DNW C. OBERMAN 24 MAY 96	Tyco Electronics Corporation Shanghai PRC
DIMENSIONS: mm		DRW R. STONE 28 MAY 96	
TOLERANCES UNLESS OTHERWISE SPECIFIED:		APD R. KLINE 29 MAY 96	NAME
0 PLC ± - 1 PLC ± 0.10 2 PLC ± 0.10 3 PLC ± - 4 PLC ± - ANGLES ± 2°		PRODUCT SPEC 108-1501	INSERT ASSEMBLY, 5 POSITION, DOVETAIL LOCATOR, WITH SOLDER TAIL, 5 mm CENTERLINE, 10.8 VOLTS, BATTERY INTERCONNECT
MATERIAL		FINISH	SIZE CAGE CODE DRAWING NO A2 00779 C-5787802
CUSTOMER DRAWING		SCALE 4:1	SHEET 1 OF 1 REV 0

单击下面可查看定价，库存，交付和生命周期等信息

[>>TE Connectivity\(泰科\)](#)