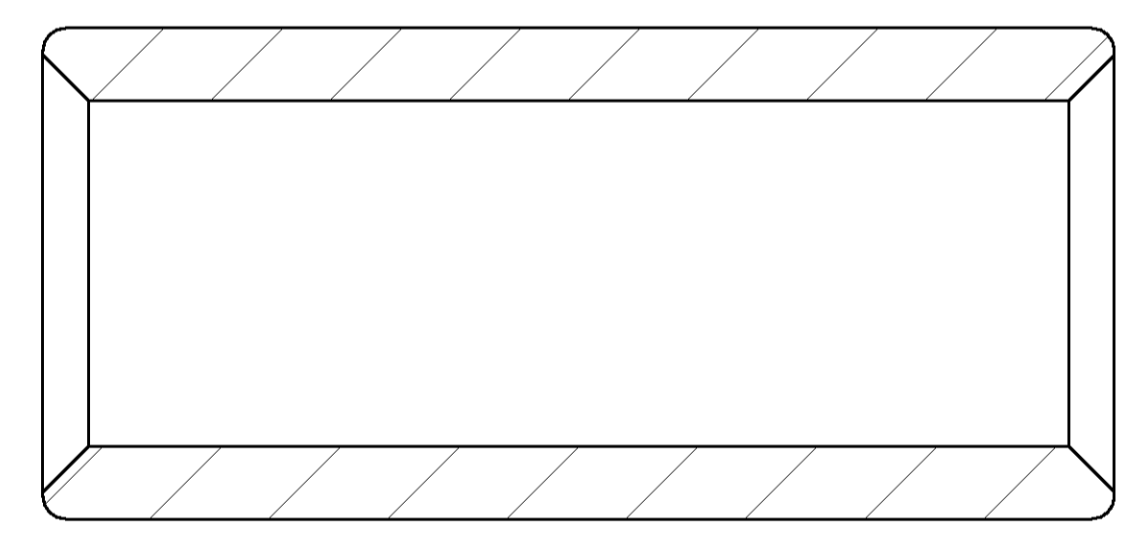
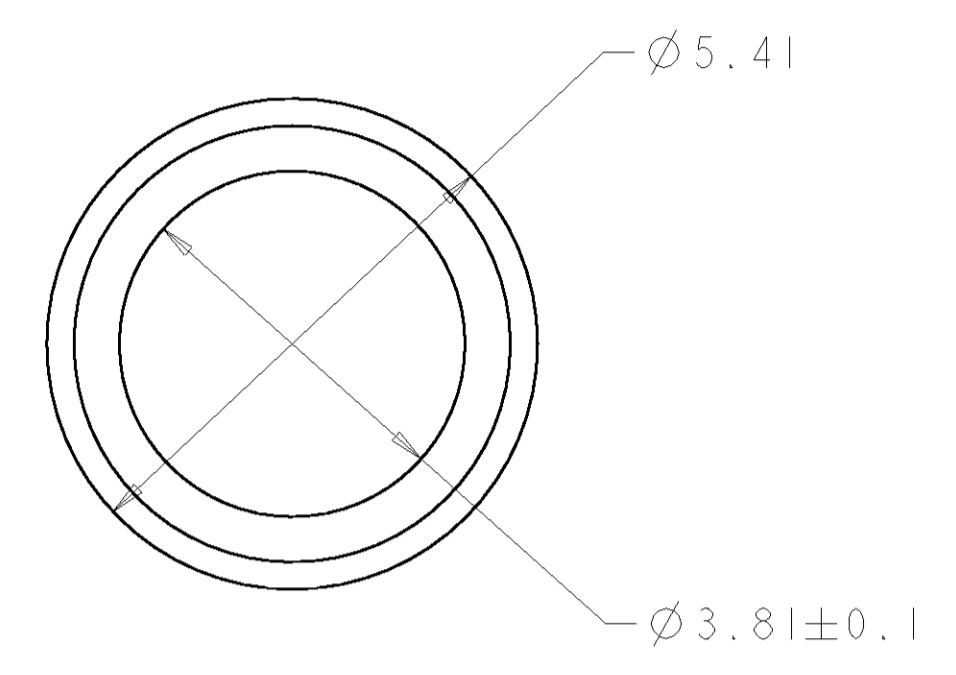
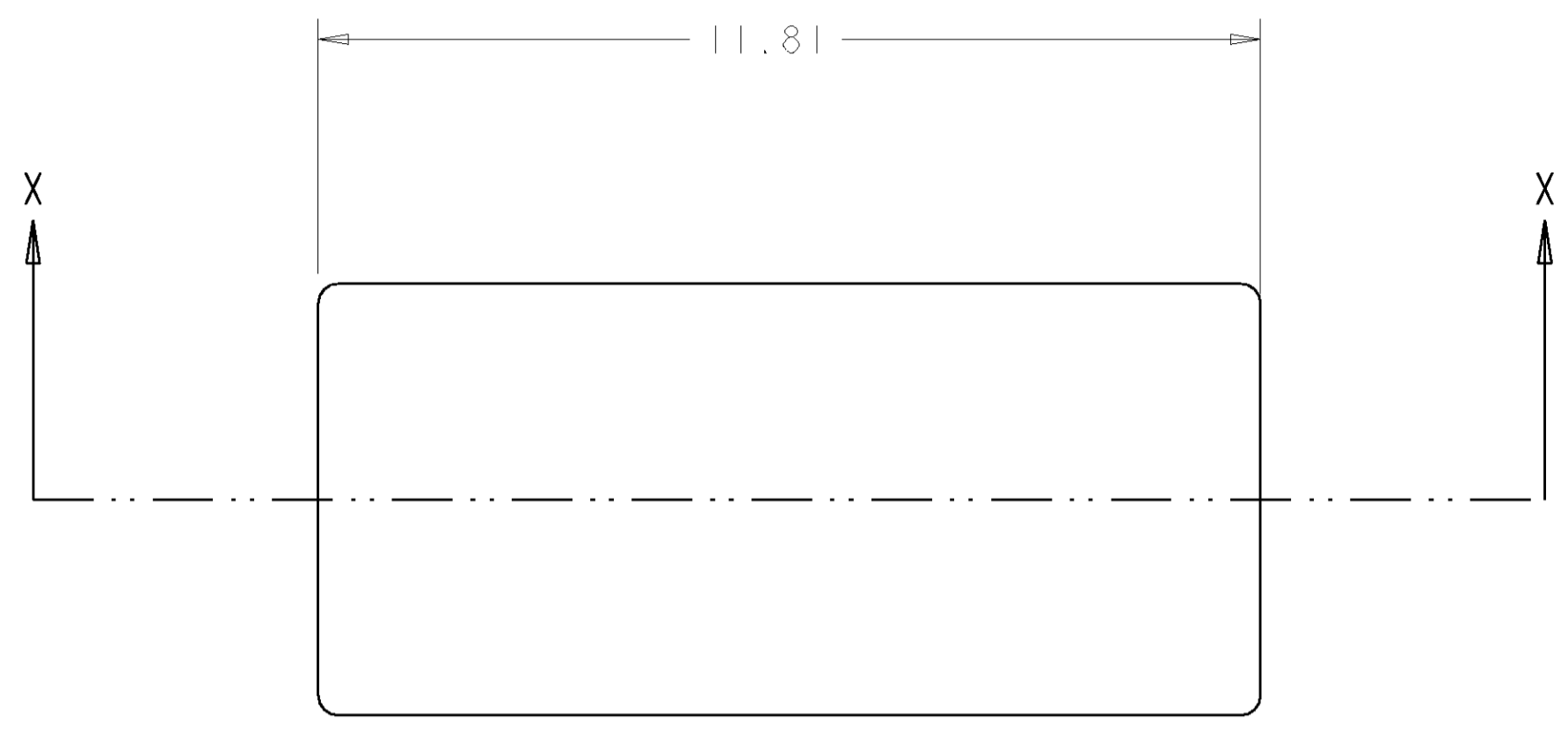
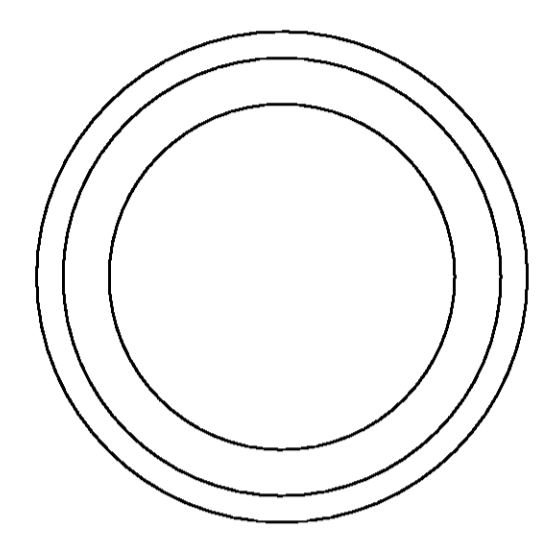


LOC		DIST		REVISIONS			
CM	00	P	LTR	DESCRIPTION	DATE	DWN	APVD
		0		RELEASED	13JUN2001	KW	JE



SECTION X-X

- 1. MATERIAL: COPPER
- 2. PLATING: SILVER

<small>THIS DRAWING IS UNPUBLISHED. RELEASED FOR PUBLICATION BY TICO ELECTRONICS CORPORATION. ALL RIGHTS RESERVED.</small>		DWN SHANE WIESE 13JUN2001 CHK K. KETELSLEGER 13JUN2001 APVD K. KETELSLEGER 13JUN2001		tyco Tyco Electronics Electronics Harrisburg, PA 17105-3608	
DIMENSIONS: mm 		TOLERANCES UNLESS OTHERWISE SPECIFIED: 0 PLC ± 1 PLC ± 2 PLC ±0.13 3 PLC ± 4 PLC ± ANGLES ± FINISH -		NAME PRODUCT SPEC APPLICATION SPEC WEIGHT CUSTOMER DRAWING	
MATERIAL -		FINISH -		SIZE CAGE CODE DRAWING NO RESTRICTED TO A 00779 C=647840 -	
AMP 4895 REV 31MAR2000		SCALE 12:1		SHEET 1 OF 1 REV 0	

单击下面可查看定价，库存，交付和生命周期等信息

[>>TE Connectivity\(泰科\)](#)