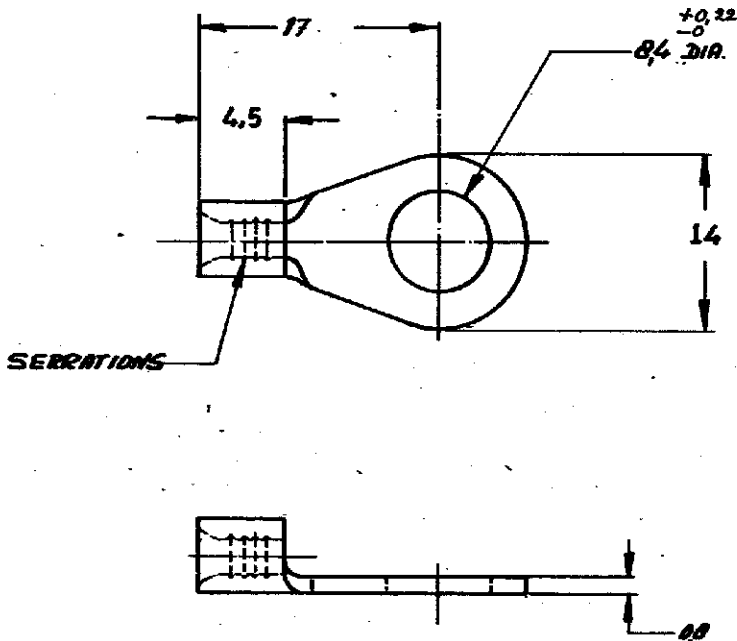


DRAWING MADE IN AMERICAN PROJECTION

PART NUMBER
C-165300-E



DIMENSIONS IN IN. DO NOT SCALE PRINT

CUSTOMER COPY FOR REFERENCE ONLY												
©1967 BY AMP-HOLLAND N.V. ALL RIGHTS RESERVED A-MP PRODUCTS COVERED BY PATENTS AND/OR PATENTS PENDING.							AMP AMP-HOLLAND N.V. HERTOEGSBOSCH HOLLAND					
ORDER NO. 165300		MATERIAL COPPER			PLATING IN PLATED		WIRE RANGE 15-25 AWG		INSUL. RANGE —	TYPE - DIN - SOLID STRAND		
DATE 3/4-67		DATE 6.27.67			DATE 2/16/67		SCALE —		LOC H	SIZE A	NO. C-165300-E	REV. C
NAME RINGTONGUE stud: M8												

AMP 1282

单击下面可查看定价，库存，交付和生命周期等信息

[>>TE Connectivity\(泰科\)](#)