

4

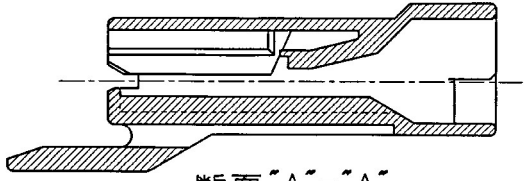
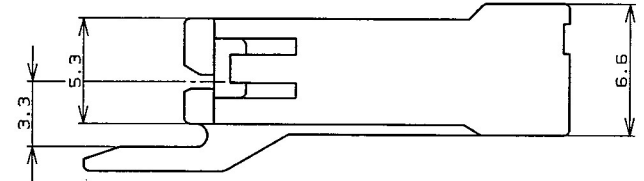
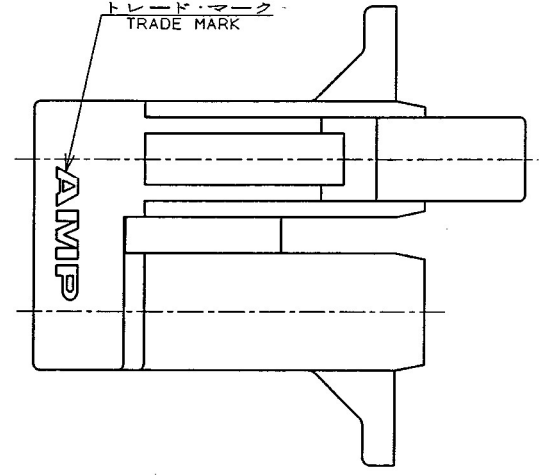
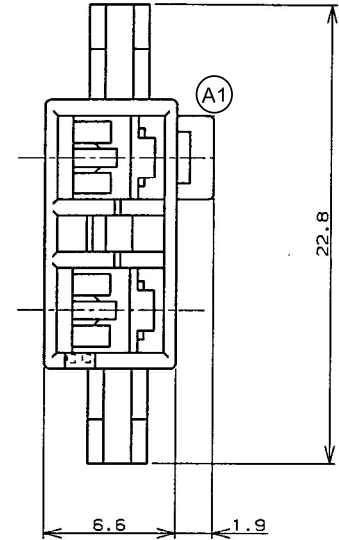
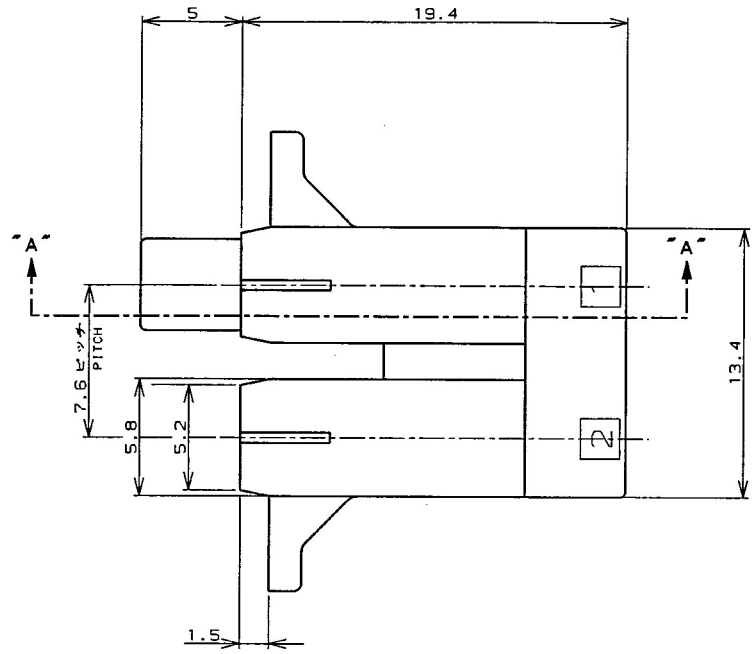
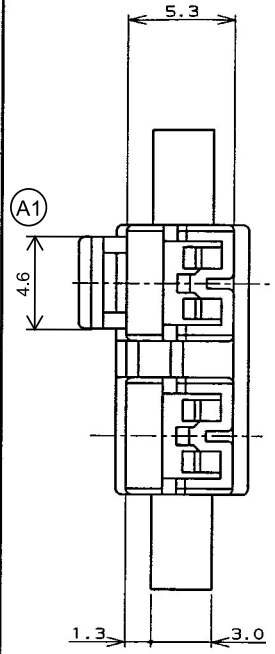
3

2

1

THIS DRAWING IS UNPUBLISHED. RELEASED FOR PUBLICATION .19
© COPYRIGHT 19 BY AMP INCORPORATED. ALL RIGHTS RESERVED.

REVISONS						
LOC	DTST	P	LTR	DESCRIPTION	ECN	DATE
J			A2	REVISED	ECR-18-015331	29.09.2018
			A1	REVISED	ECR-18-002152	15.03.2018



断面 "A" - "A" SECT.

THIS DRAWING IS A CONTROLLED DOCUMENT FOR AMP INCORPORATED. IT IS SUBJECT TO CHANGE AND THE CONTROLLING ENGINEERING ORGANIZATION SHOULD BE CONTACTED FOR THE LATEST REVISION.	
DIMENSIONS: 単位: ㎜ mm	TOLERANCES UNLESS OTHERWISE SPECIFIED 一般公差 10㎜ : ±0.2 30 : ±0.25 100 : ±0.3 ANGLE : ±0.3°
MATERIAL 材料 6/6ナイロン (UL94V-0) 6/6 NYLON	FINISH 仕上 ---

OWN	M. SUZUKI	23.AUG.'96
CHK	Y. KASHIWA	23.AUG.'96
APVD	H. TAGUCHI	26.AUG.'96
PRODUCT SPEC	108-5530	
APPLICATION SPEC	114-5229	
WEIGHT	---	

WIRE RANGE 組合電線断面積	INSULATION DIA 被覆外径
---	---
AMP 日本アール・エム・シー株式会社 Kawasaki, Japan	
NAME 名称 110 シリーズ ポジティブ ロック EX-Ⅲ ダブル ロック タイプ 2極 ハウジング 110 SERIES POSITIVE LOCK EX-Ⅲ DOUBLE LOCK TYPE 2Pos. HOUSING	
SIZE A3	CAGE CODE 00779
DRAWING NO 番号 C-353253	
SCALE 尺度 1:4	SHEET 1 OF 1
REV A2	

单击下面可查看定价，库存，交付和生命周期等信息

[>>TE Connectivity\(泰科\)](#)