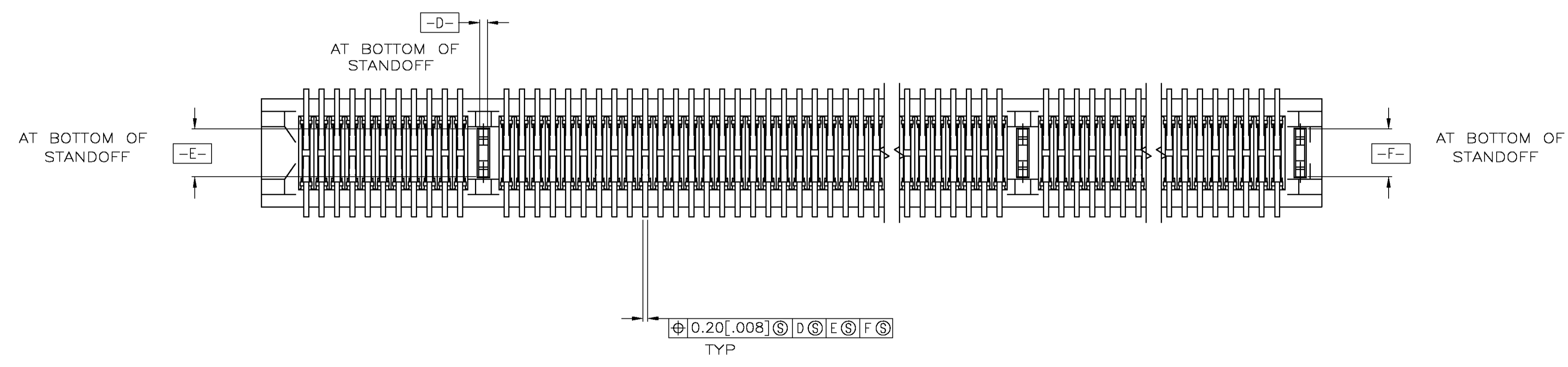
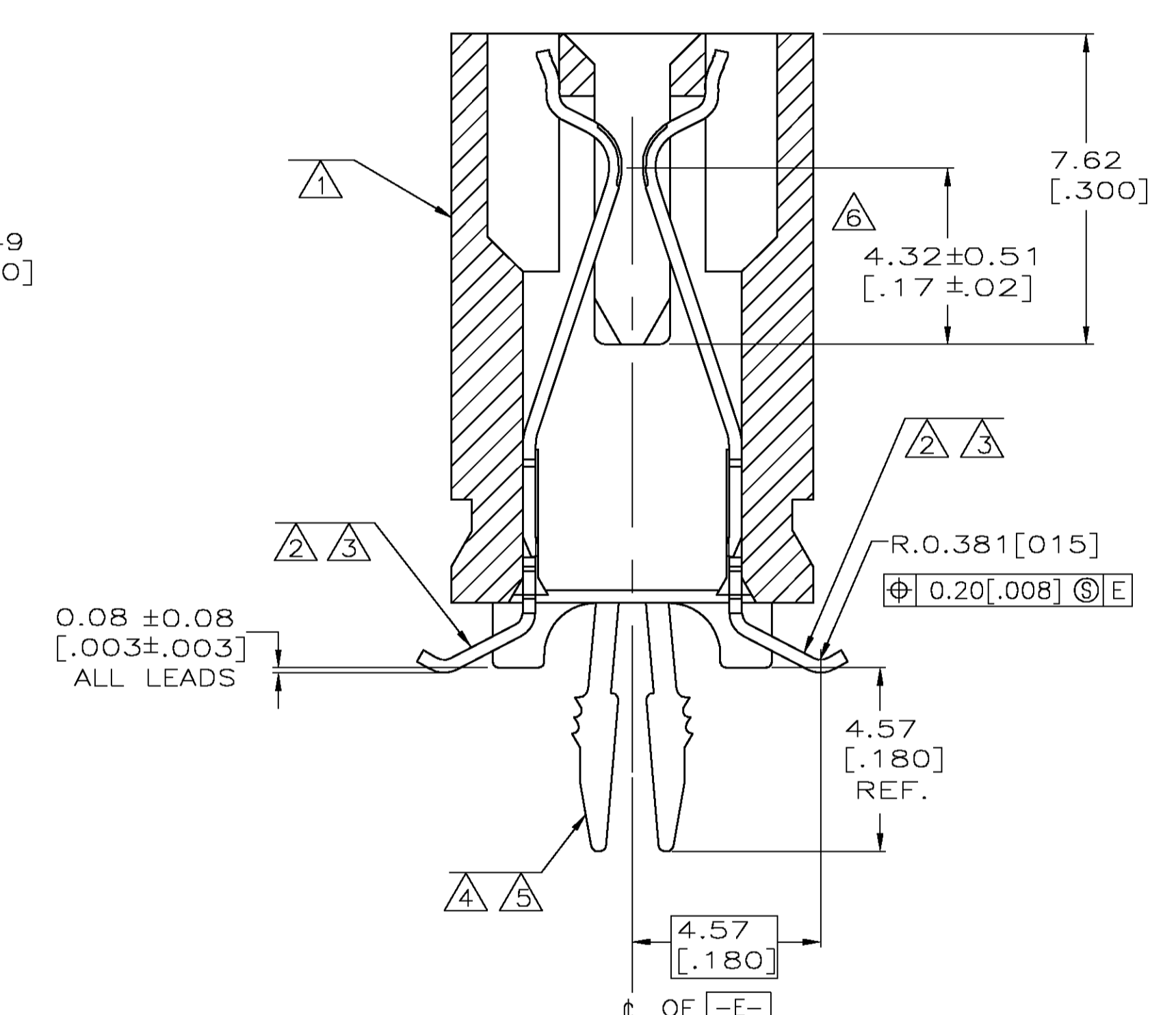
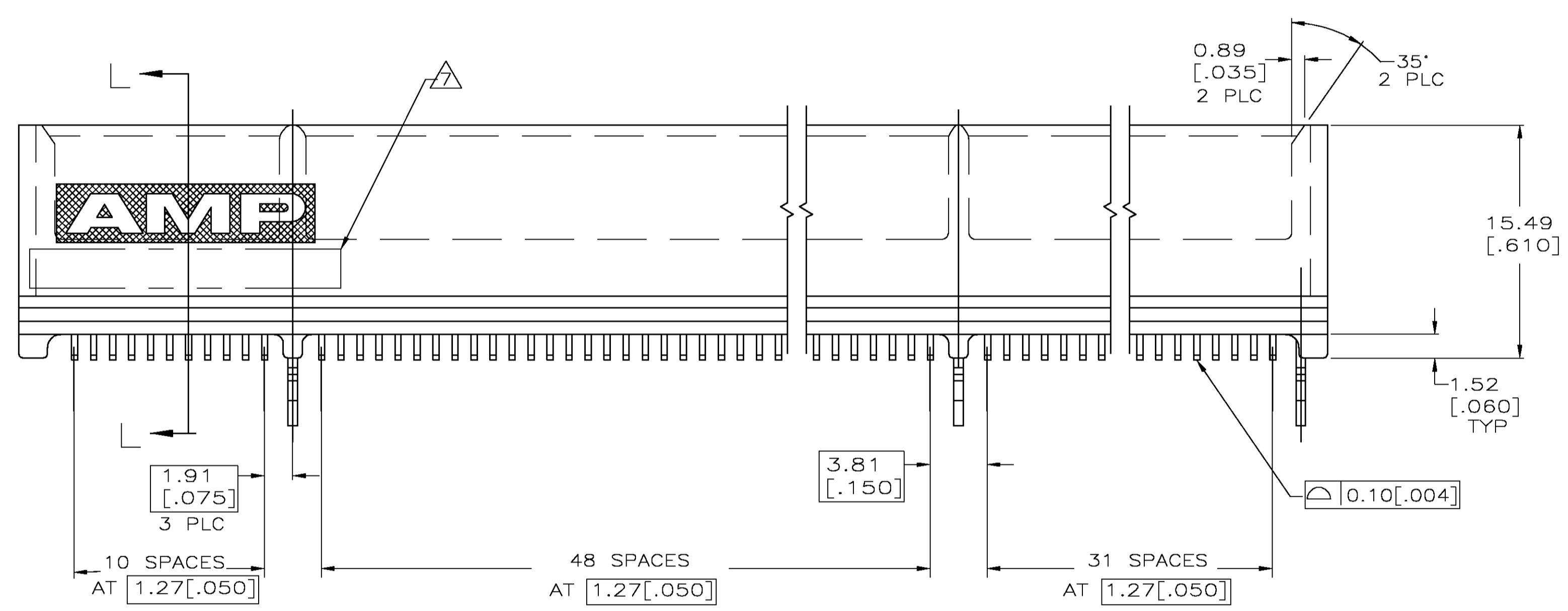


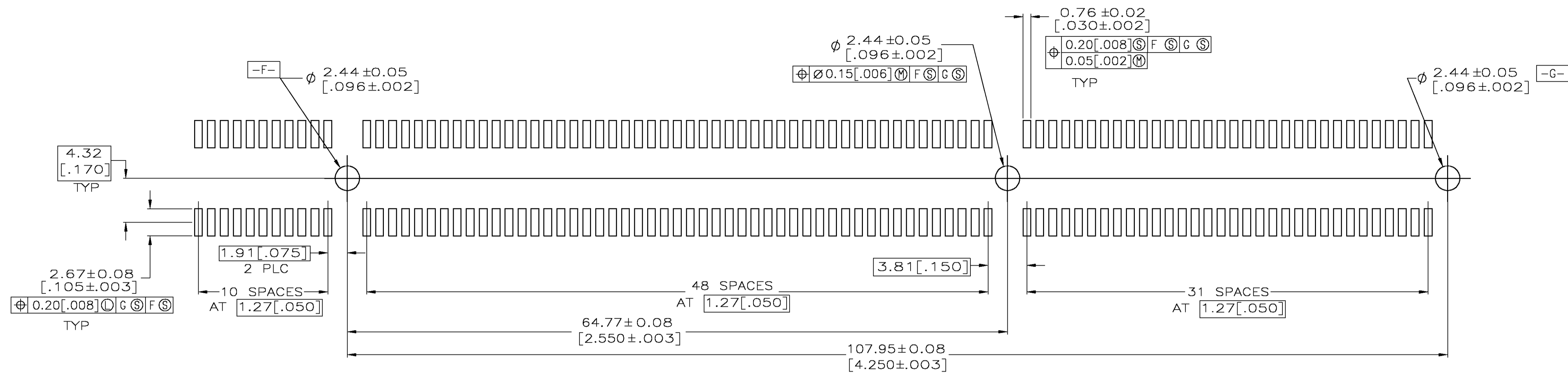
- ① HOUSING: HIGH TEMPERATURE THERMOPLASTIC.
- ② CONTACT: PHOSPHOR BRONZE.
- ③ CONTACT FINISH: 0.00254[.000100] MIN NICKEL UNDERPLATE, 0.000762[.000030] MIN GOLD OVER NICKEL IN CONTACT AREA, 0.00254[.000100] MIN MATTE TIN OVER NICKEL ON SOLDER TAILS.
- ④ METAL HOLD DOWN: BRASS
- ⑤ METAL HOLD DOWN FINISH: 0.00127[.000050] MIN NICKEL UNDERPLATE, 0.00381[.000150] MIN MATTE TIN ALL OVER.
- ⑥ DISTANCE FROM CONTACT POINT TO BOTTOM OF CARD SLOT.
- ⑦ AMP PART NUMBER, DATE CODE AND CSA LOGO MARKED IN APPROXIMATE AREA SHOWN.



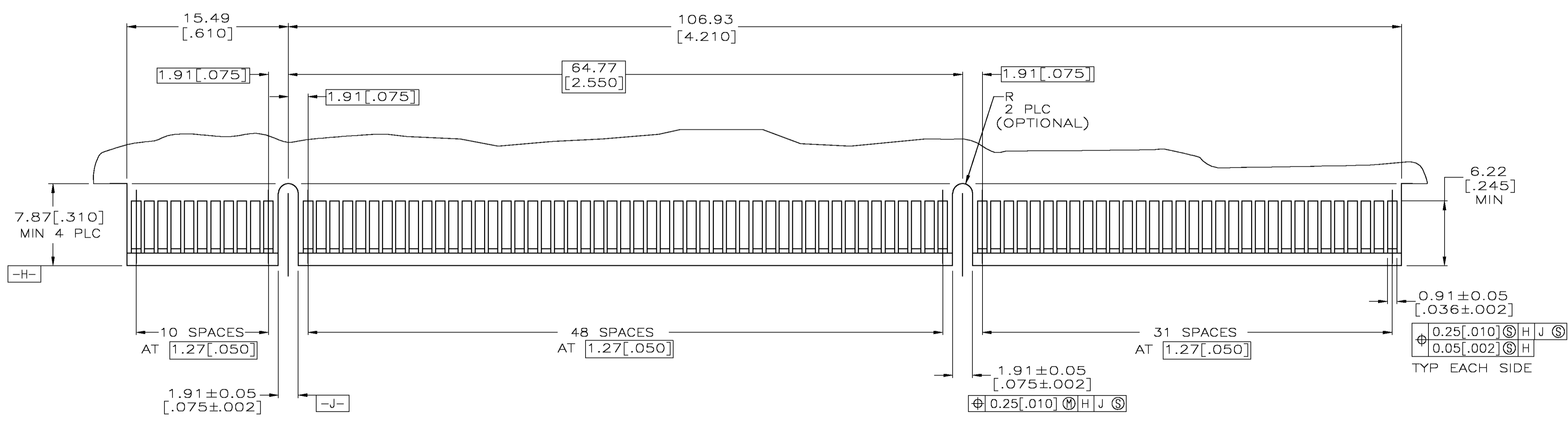
SECTION L-L
SCALE 8:1

5145246-1 AS SHOWN

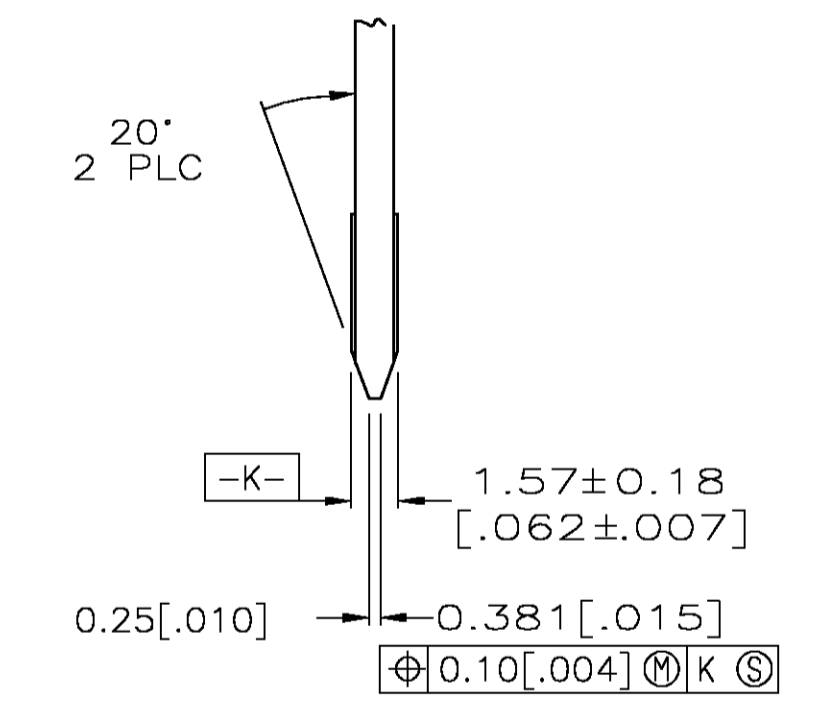
THIS DRAWING IS A CONTROLLED DOCUMENT.		DWG AL FRANTUM 19 APR 05	 Tyco Electronics Corporation Harrisburg, Pa 17105-3608
DIMENSIONS: mm		CHK AL FRANTUM 19 APR 05	
TOLERANCES UNLESS OTHERWISE SPECIFIED: 0 PLC ± - 1 PLC ± 0.3[.01] 2 PLC ± 0.13[.005] 3 PLC ± - 4 PLC ± - ANGLES ± -Z		APVD -	NAME CONNECTOR ASSEMBLY, 92 DUAL POSITION, .050 SERIES, STANDARD EDGE SURFACE MOUNT
MATERIAL		FINISH	PRODUCT SPEC -
-		-	APPLICATION SPEC -
-		-	SIZE A1
-		-	WEIGHT -
-		-	DATE 19 APR 05
-		-	DRAWING NO 5145246
-		-	RESTRICTED TO -
-		-	CUSTOMER DRAWING
-		-	SCALE 4:1 SHEET 1 OF 2 REV A



RECOMMENDED CONNECTOR MOUNTING HOLE PATTERN
 (CONNECTOR SIDE SHOWN)



RECOMMENDED MATING BOARD EDGE CONFIGURATION



THIS DRAWING IS A CONTROLLED DOCUMENT.		DNW	AL FRANTUM	19 APR 05	 Tyco Electronics Corporation Harrisburg, Pa 17105-3608
		CHK	AL FRANTUM	19 APR 05	
DIMENSIONS:	TOLERANCES UNLESS OTHERWISE SPECIFIED:	APVD		NAME	PRODUCT SPEC
mm	0 PLC ± .01			APPLICATION SPEC	SIZE
	1 PLC ± 0.3[.01]			RESTRICTED TO	
	2 PLC ± 0.13[.005]			SCALE	4:1
	3 PLC ± .01			SHEET	2 OF 2
	4 PLC ± .01			REV	A
	ANGLES ± .2°				
MATERIAL	FINISH	WEIGHT	A1 00779 C=5145246		
SEE SHEET 1	SEE SHEET 1	CUSTOMER DRAWING			

单击下面可查看定价，库存，交付和生命周期等信息

[>>TE Connectivity\(泰科\)](#)