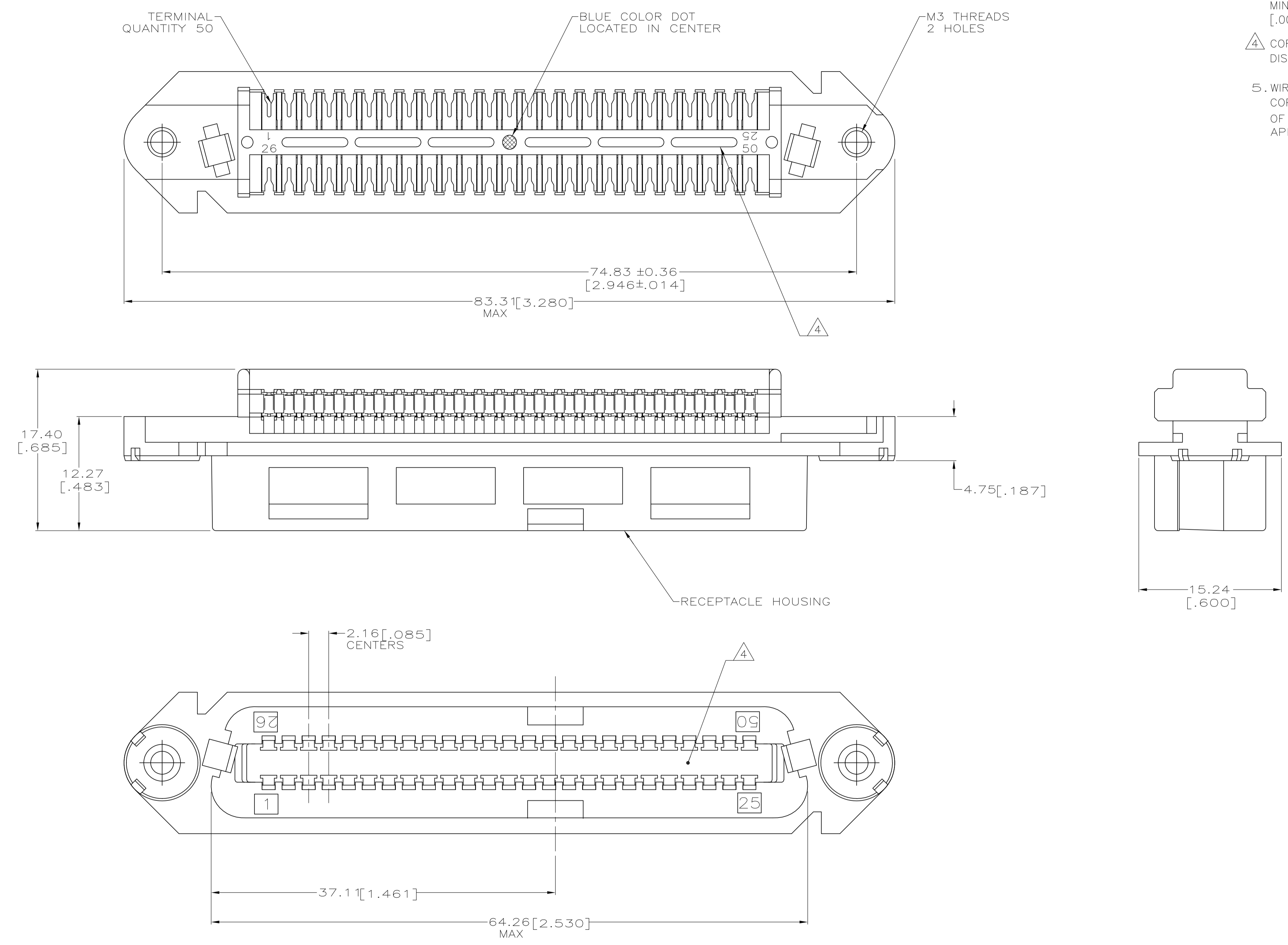


LOC		DIST		REVISIONS			
GP	00	REV	DATE	BY	CHKD	APVD	
C		REVISED PER ECO-08-007327	05SEP08	BM	WM		

1. THE CONTACT SURFACES OF THE TERMINALS ARE COATED WITH LUBRICANT.
2. DIMENSIONS ARE MAXIMUM UNLESS OTHERWISE SPECIFIED.
3. MATERIAL: HOUSING - POLYPHENYLENE OXIDE, BLACK. TERMINAL - HIGH STRENGTH COPPER ALLOY PLATED WITH 0.76μm [.000030] MIN GOLD OR GOLD FLASH OVER PALLADIUM NICKEL PLATE, 0.76μm [.000030] MIN TOTAL ON MATING SURFACE, OVER 1.27μm [.000050μ] MIN NICKEL PLATING.
4. CORING MAY OR MAY NOT APPEAR AND IS AT THE DISCRETION OF AMP INCORPORATED.
5. WIRE SIZE: 24 & 26 AWG SOLID & 24 AWG 7 STRAND COPPER CONDUCTORS. MAXIMUM INSULATION DIAMETER OF 1.15[.045] IS ACCEPTABLE FOR MOST APPLICATIONS.



1116550-1
PART NUMBER

THIS DRAWING IS A CONTROLLED DOCUMENT.		DIN DL DRUMMOND 19-MAR-99	Tyco Electronics Corporation Harrisburg, PA 17105-3608	
DIMENSIONS: mm [INCHES]		CHK DL DRUMMOND 22-MAR-99	NAME RECEPTACLE ASSEMBLY, 50 POSITION, B-SLOT, WITH M3 THREADS	
TOLERANCES UNLESS OTHERWISE SPECIFIED:		APVD AM FLETCHER 22-MAR-99	PRODUCT SPEC	
0. PLC ± -		APPLICATION SPEC		
1. PLC ± -		SIZE A1		
2. PLC ± -		CAGE CODE 00779		
3. PLC ± -		DRAWING NO. 1116550		
4. PLC ± -		RESTRICTED TO		
ANGLES ± -		WEIGHT		
FINISH		CUSTOMER DRAWING		
		SCALE 4:1 SHEET 1 OF 1 REV C		

单击下面可查看定价，库存，交付和生命周期等信息

[>>TE Connectivity\(泰科\)](#)